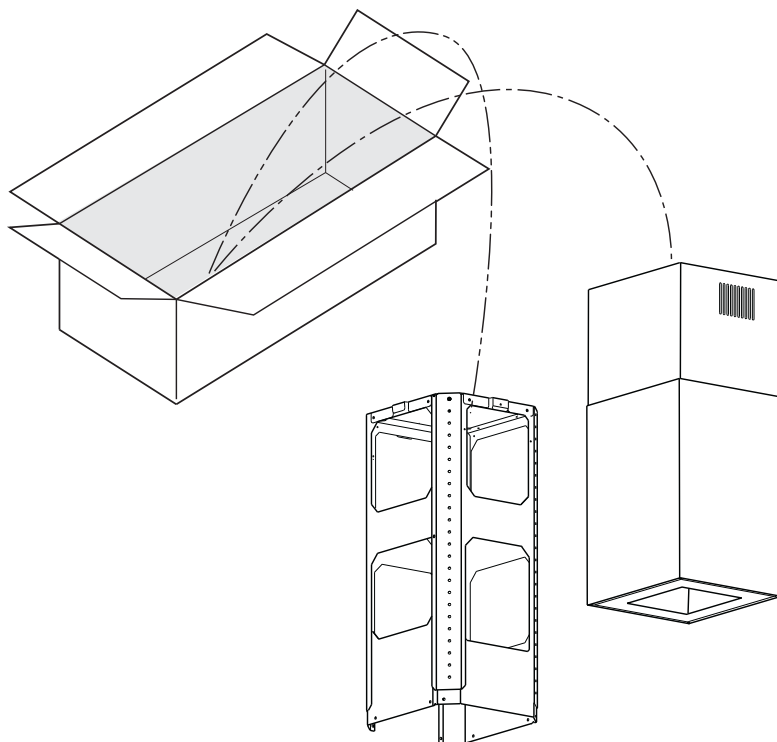


Duct Cover Extension

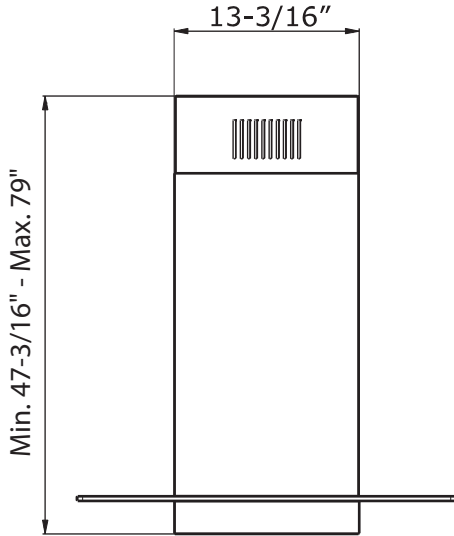
Z1C-00SL

For use with Surface Is. range hood



USA	Mounting the duct cover	Pag. 4
F	Fixation des cheminées	Pag. 6
E	Fijación de las chimeneas	Pag. 8
I	Fissaggio dei camini	Pag. 10

DUCT COVER EXTENSION SPECIFICATION

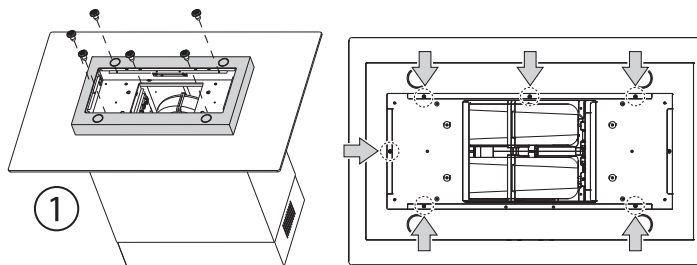


■ MOUNTING THE DUCT COVER

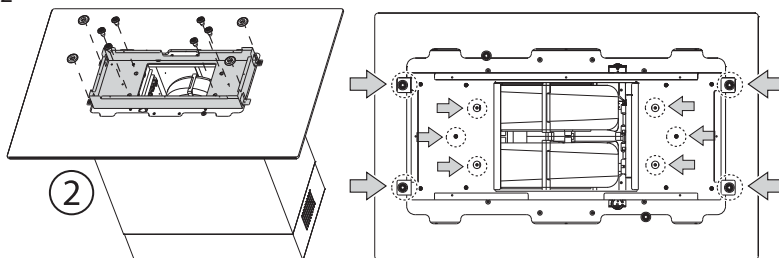
1. Before installing the duct cover extension kit, take out the duct cover ceiling bracket from the range hood packaging and remove the bracket by unscrewing the (4) screws.

2. Remove the duct cover from the hood assembly, according to the following steps:

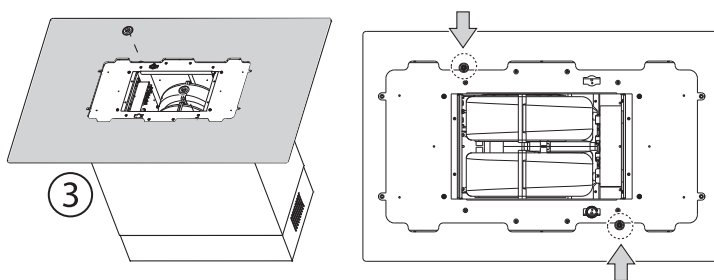
A - Take out the lower mantle by removing the (7) screws. Fig. 1



B - Take out the spacer, by removing the (6) plus (4) metric screws and the bushes. Fig. 2



C - Take out the two additional bushes that secure the glass. Fig. 3



3. Take the lower duct cover from the duct cover extension kit and secure it to the hood assembly by following the instructions from step 2 in reverse order.

Installation - Mounting the Duct Cover

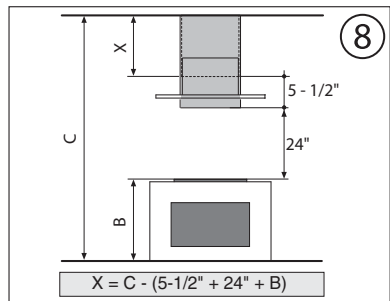
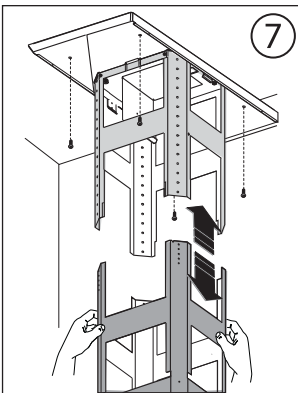
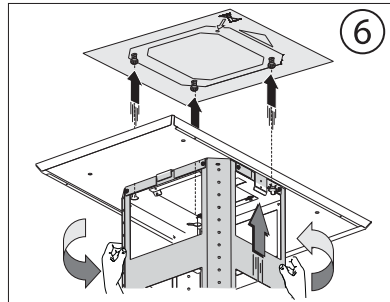
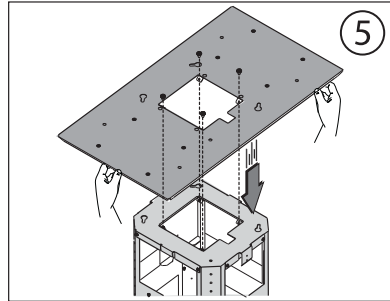
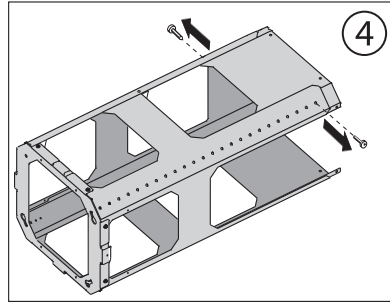
4. Remove the (2) screws to unlock the top support frame from the bottom support frame. Fig.4.
5. Secure the top support frame to the duct cover ceiling bracket by using the (4) screws. Fig. 5
6. Position hole template on the ceiling paying attention that the arrow is positioned on the same side as the range hood controls.

- Make 4 holes in the ceiling and drive in (3) screws without completely tightening them. Pay attention not to insert the screw into the hole marked with an X on the hole template. Fig.6
7. Lift the hood assembly to the ceiling and align the top support frame and ceiling bracket with the (3) screws previously installed in the ceiling.

Rotate assembly slightly clockwise to lock in place.

Drive in the fourth screw and tighten the remaining 3 screws to secure the structure in place with con ulteriori (4) viti. Fig.6

8. Insert the bottom support frame into the top support frame. Fig.7



Adjust height by referring to the diagram in fig.8.
Secure the support frames together using (2) screws per extension arm (8 total). Fig.9

9. Insert the motor housing into the support frame assembly and secure it using (8) screws. Fig.10

10. Connect the equipment to the power supply.

11. Secure the correct size ducting for your installation (not supplied) to the collar on top of the housing. Fig.11

12. Extend upper duct cover to the ceiling and secure it to the duct cover ceiling bracket using the (4) screws previously removed when the assembly was taken out of the packaging. Fig. 12

13. Lift the hood assembly into the top duct cover.
Secure hood assembly to bottom support frame by using (4) screws. Fig. 13

14. Verify that ducting from hood is connected to ducting in the attic that will exhaust air out of the home.

