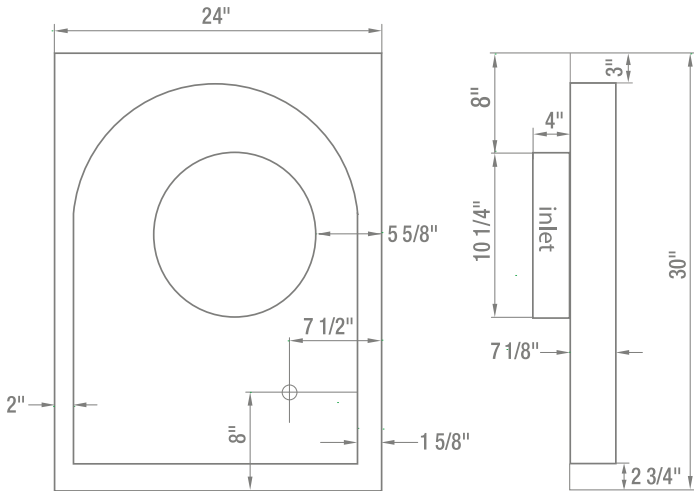
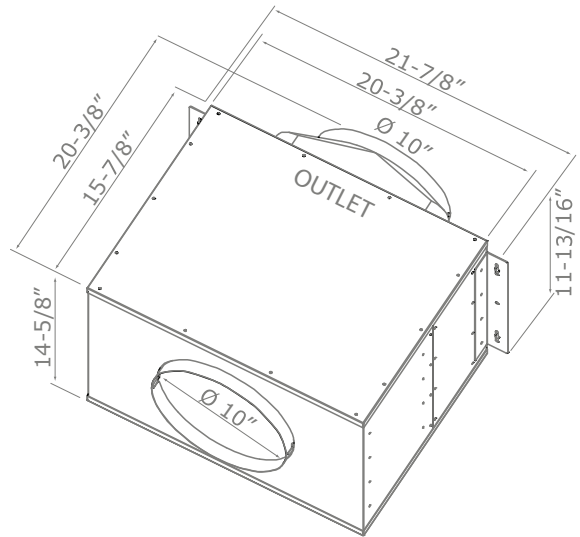


CBE-1000
(external)



PBN-1000A
(in-line)



BLOWERS

MODEL	BLOWER TYPE	MAX WATTS*	MAX AMPS*	CFM	SONES	COMPATIBLE MODELS
CBI-290A	Single Internal	77	0.75	200 - 290	1.4 - 3	CCA, COK, CTP, Arc Collection
CBI-290B	Single Internal	77	0.75	200 - 290	1.4 - 3	AK83
CBI-600A	Single Internal	320	2.75	240 - 600	1.8 - 6	CCA, COK, CTP, Arc Collection
CBI-600B	Single Internal	320	2.75	240 - 600	1.8 - 6	AK83, AK78
EBI-600B	Single Internal	450	3.75	240 - 600	2.3 - 9	CPA
PBI-1100A	Dual Internal	640	5.45	500 - 1,100	3.5 - 8	AK83, AK78, ALU-E43ASX
PBD-1200A	Dual Internal	660	5.8	400 - 1,200	3.5 - 9	AK70xxBS, AK75xxBS
CBE-1000**	External	700	6.25	500 - 1,000	NA	AK83, AK78, Cheng Collection, Arc Collection
PBN-1000A**	In-line	640	5.45	500 - 1,000	NA	AK83, AK78, Cheng Collection, Arc Collection

*Add blower Watts and Amps to AC Power details from hood spec sheet to determine total power consumption.
 **For Cheng, Arc Collection and AK83 hoods you must transition from 10" to 8" ducting before duct passes through ceiling. A 10" to 8" adapter is included with external and in-line blowers.
 The exception to this is ALU-E43ASX which uses a 10" round.