

Vertical style ventilation at its finest. The Incline wall hood brings clean lines and a touch of chic to your transitional, minimal or modern kitchen. Cook away while the Incline cleans the air, and enjoy the tri-level LED light

strip and the wireless remote control. Perimeter Aspiration coupled with dual filtration keeps your kitchen smoke and debris-free, and proves the Incline is more than just a pretty face.



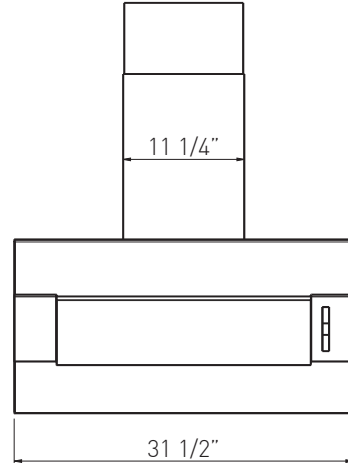
Shown with Optional Duct Cover



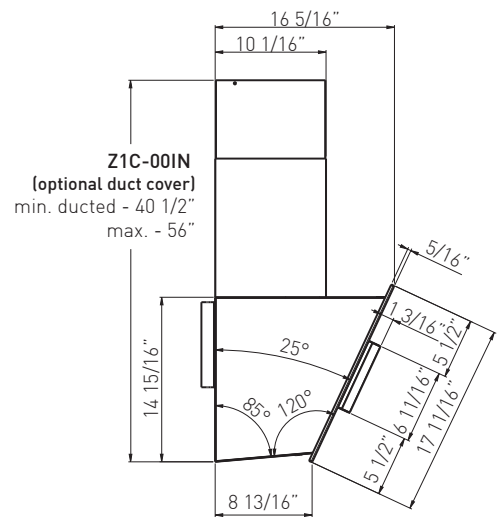
Shown without Optional Duct Cover



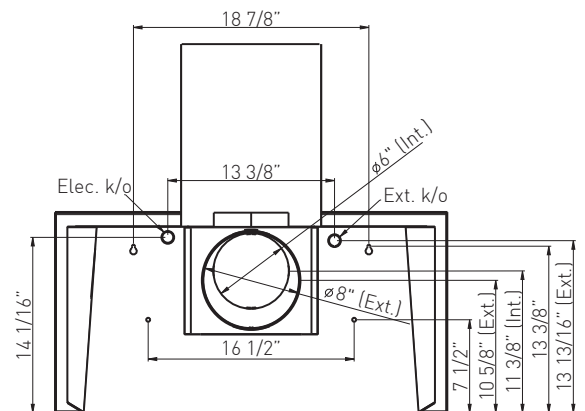
Wireless Remote Control



Front



Side



Back

MODEL

White w/ Stainless Steel	AIN-M80AWX
Stainless Steel	AIN-M80ASX
Size	80cm (31-1/2")

PERFORMANCE

Internal Blower (CBI-290A)*	200-290 CFM, 1.4-3 sones
Internal Blower (CBI-600A)*	240-600 CFM, 1.8-6 sones
In-Line Blower (PBN-1000A)*	500-1,000 CFM, sones NA
External Blower (CBE-1000)*	500-1,000 CFM, sones NA

FEATURES

Controls	Capacitive Touch
Speed Levels	3
Auto Delay-Off	Yes
CleanAir Function**	Yes
Lighting	LED Strip x 1 (8.5W)
Tri-Level Lighting	Yes
Filters	Aluminum Mesh x2
Wireless Remote Control	Yes, RF
Recirculating***	Yes
Optional Duct Cover	Yes

DUCT SPECIFICATIONS

Vertical/Horizontal Internal Blower	6"
Vertical In-Line/External Blower	10" to 8"****
Horizontal In-Line/External Blower	10" to 8"****

AC POWER

Hood w/ CBI-290A	120V, 60Hz, Max. 0.95A
Hood w/ CBI-600A	120V, 60Hz, Max. 2.95A
Hood w/ PBN-1000A	120V, 60Hz, Max. 5.65A
Hood w/ CBE-1000	120V, 60Hz, Max. 6.45A

OPTIONAL ACCESSORIES

Recirculating Kit	ZRC-00IN
Duct Cover	Z1C-00IN
Make-Up Air Kit	MUA006A (600 CFM) MUA008A (1,000 CFM)

MOUNTING HEIGHT RANGE† 22" - 32"

WARRANTY 1 year parts, 1 year labor

HOOD HEIGHT CALCULATOR - With Duct Cover

CEILING HEIGHT	8'	8.5'	9'	9.5'	10'	10.5'	11'	12'
MOUNTING HEIGHT†	NA	22" - 25.5"	22" - 31.5"	22" - 32"	28" - 32"	NA	NA	NA

*Blower sold separately.

**CleanAir turns your hood on once every four hours for 10 minutes on speed one.

***Not compatible with optional duct cover.

****10" round duct connects to external and in-line blower. Must transition from 10" to 8" before duct passes through ceiling. A 10" to 8" adapter is included with external and in-line blowers.

†Mounting height refers to distance between top of a 36" tall cooking surface and bottom of hood.