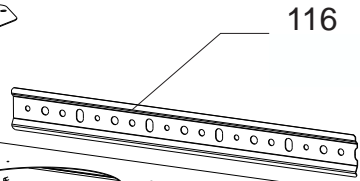
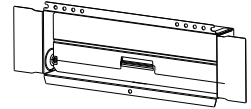
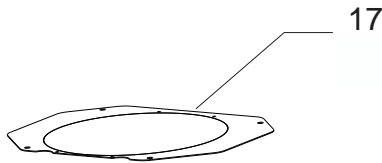
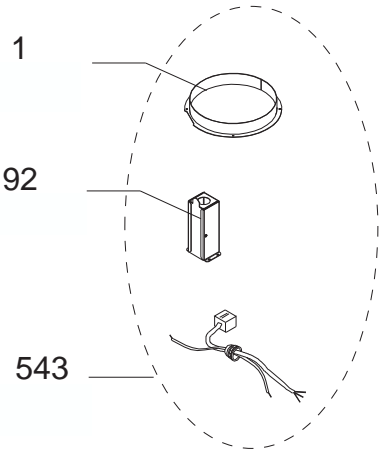
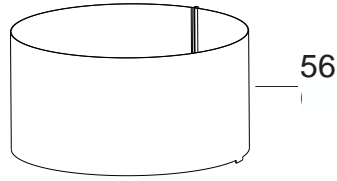
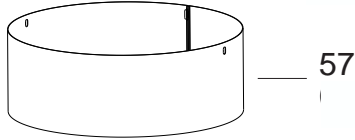
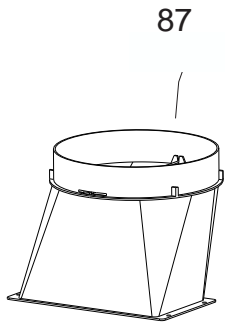


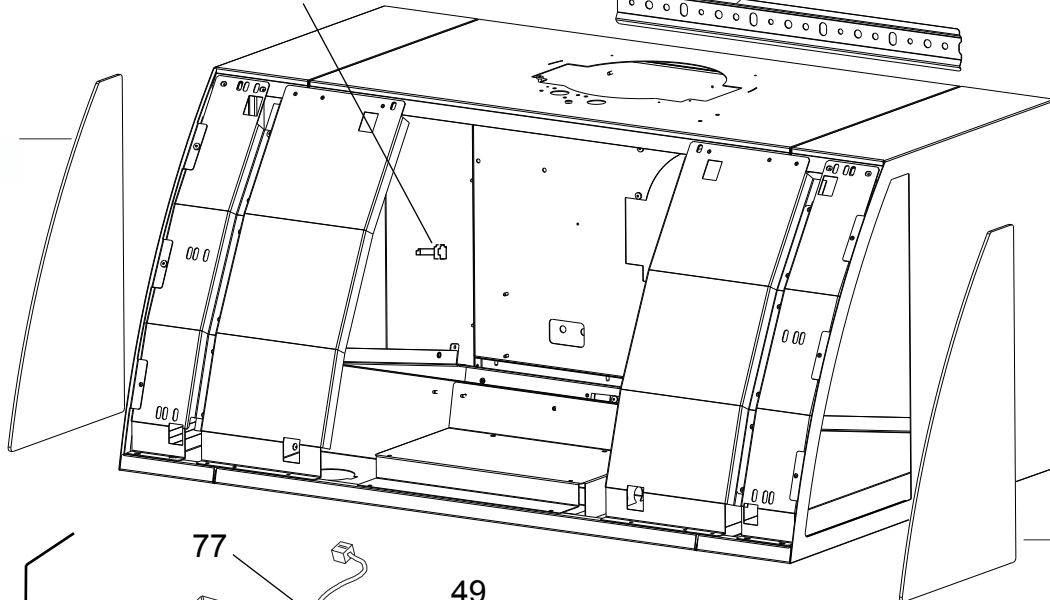
CPA-E42ASX
CPA-E48ASX
CPA-E54ASX



586

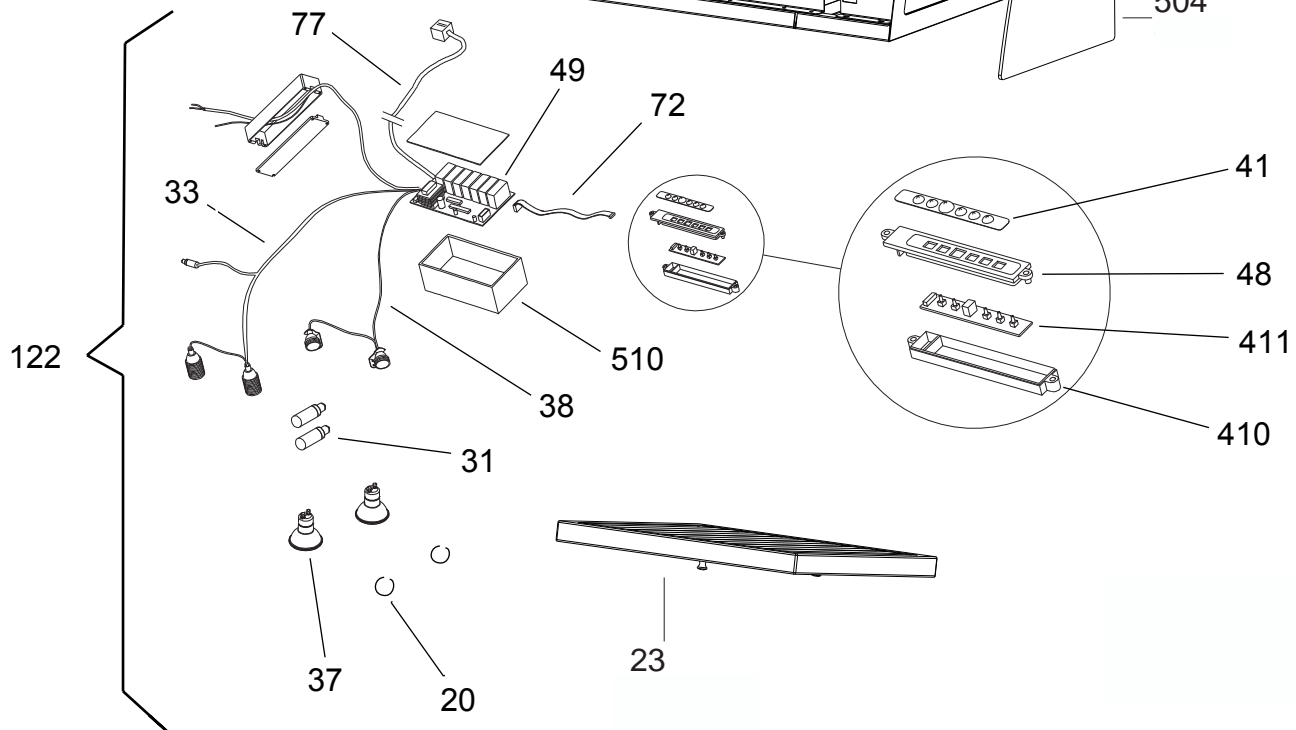
503

453



504

18



CPA-E42ASX, CPA-E48ASX, CPA-E54ASX

Ref #	Part #	Description	Qty
1	54050055	Collar, 8" Round	1
17	54050056	Plate, Round Transition	1
18	54050057	Plate, Rectangular Transition	1
20	50180001	Light Clip	2
21	00100016	Wing Nut, Canopy	0
23	50210005	Filter, Baffle	2
31	Z0B-0003	Light Bulb, Incandescent E27, 120V 40W	2
33	11020026	Light Socket Set, E27	2
37	Z0B-0020S	Light Bulb, Halogen GU-10, 50W 120V	2
38	11020027	Light Socket Set, GU-10	2
41	52050008	Membrane, Horizontal	1
48	56210026	Cover, Switch Board	1
49	11010030	Control Board	1
56	50050044	Duct Cover, Lower	1
57	50050045	Duct Cover, Upper	1
72	11030032	Cable, Switch Board	1
77	11030033	Cable, Blower	1
87	54050058	Adaptor, Transition	1
92	56200052	Wiring Box, External Blower	1
116	54110038	Bracket, Wall Mounting	1
122	11000021	Assembly, Electronics	1
130	54100009	Bracket, Ceiling	1
410	56200053	Box, Switch Board	1
411	11010029	Switch Board	1
453	01070013	Screw, Interior Panel	12
503	52110012	Light Panel, Left	1
504	52110013	Light Panel, Right	1
510	56200054	Box, Control Board	1
543	11030031	Cable, Wiring External Blower	1
586	54060003	Damper, Rectangular	1