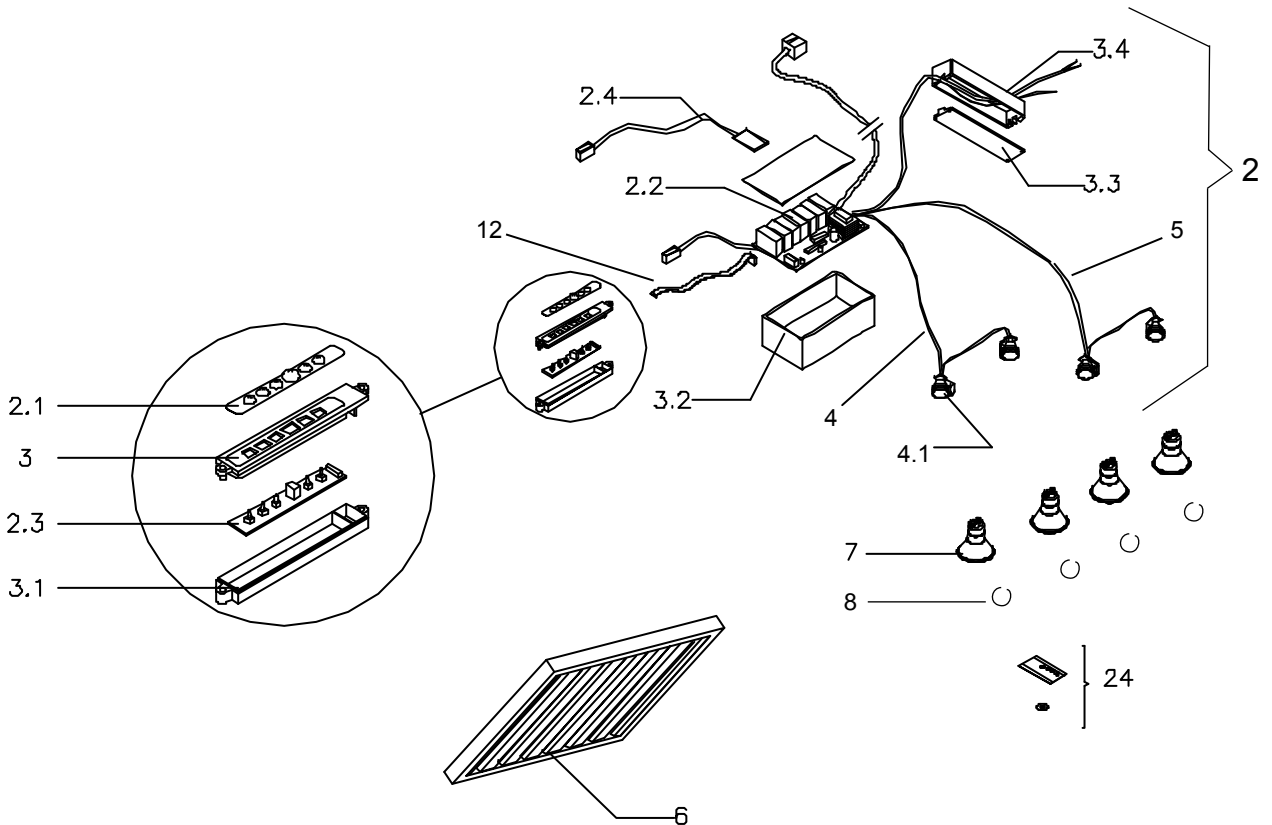
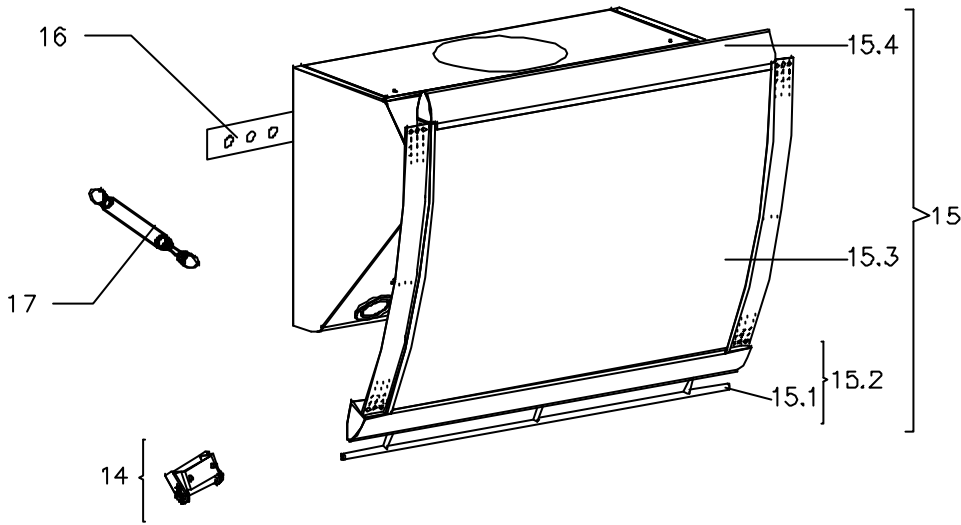
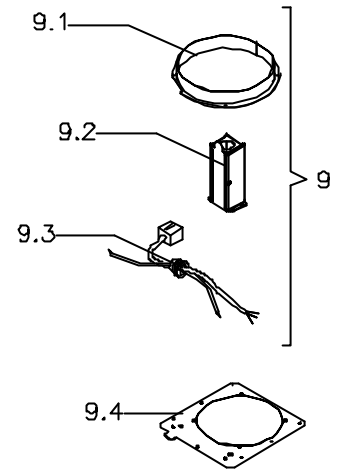
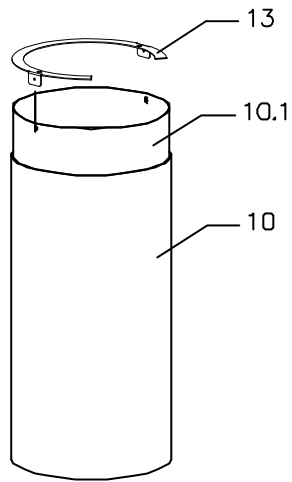


CSH-E36SX
 CSH-E42SX
 CSH-E48SX



CSH-E36SX, CSH-E42SX, CSH-E48SX

Ref #	Part #	Description	Qty
1	11030003	Cable Harness, Blower	1
2	11000019	Assembly, Electronics	1
2.1	52050009	Membrane, Vertical	1
2.2	11010003	Control Board	1
2.3	11010017	LED/Switch Board, Vertical	1
2.4	11050001	Infrared Sensor	1
3.2	56200035	Housing and Cover, Control Board	1
3.3	56210013	Electrical Box Cover	1
3.4	56200005	Electrical Box	1
4	11020007	Socket Set, GU10, Short	1
4.1	12100016	Light Socket, GU-10	4
5	11020016	Socket Set, GU10, Long	1
6	50210001	Filter, Baffle (CSH-E36SX)	1
6	50210002	Filter, Baffle (CSH-E42SX, CSH-E48SX)	2
7	Z0B-0020S	Halogen Bulb, GU-10, 120V 50W	4
8	50180001	Light Clip	4
9	05000001	External Blower Kit	1
9.1	54050014	Collar, 8" Round	1
9.2	56200008	External Blower Wiring Box	1
9.3	11030001	External Blower Wiring Harness	1
9.4	54050041	External Flange	1
10	50050003	Duct Cover, Bottom	1
10.1	50050027	Duct Cover, Top	1
12	11030007	Cable Interconnect	1
13	54100006	Bracket, Ceiling	1
14	54140021	Hinge	2
15	50300029	Door Assembly (CSH-E36SX)	1
15	50300030	Door Assembly (CSH-E42SX)	1
15	50300031	Door Assembly (CSH-E48SX)	1

15.1	50320018	Rail (CSH-E36SX)	1
15.1	50320019	Rail (CSH-E42SX)	1
15.1	50320020	Rail (CSH-E48SX)	1
15.2	50160004	Bottom Cap With Rail (CSH-E36SX)	1
15.2	50160005	Bottom Cap With Rail (CSH-E42SX)	1
15.2	50160006	Bottom Cap With Rail (CSH-E48SX)	1
15.3	50140063	Panel, Stainless (CSH-E36SX)	1
15.3	50140064	Panel, Stainless (CSH-E42SX)	1
15.3	50140065	Panel, Stainless (CSH-E48SX)	1
15.4	50160001	Top Cap (CSH-E36SX)	1
15.4	50160002	Top Cap (CSH-E42SX)	1
15.4	50160003	Top Cap (CSH-E48SX)	1
16	54110019	Bracket, Hood Mounting (CSH-E36SX)	1
16	54110020	Bracket, Hood Mounting (CSH-E42SX)	1
16	54110021	Bracket, Hood Mounting (CSH-E48SX)	1
17	54140026	Piston	2
24	14000003	Remote Control Kit	1
	05000040	Hardware Packet	1

OCT07.0101