

CHENG

CACHE

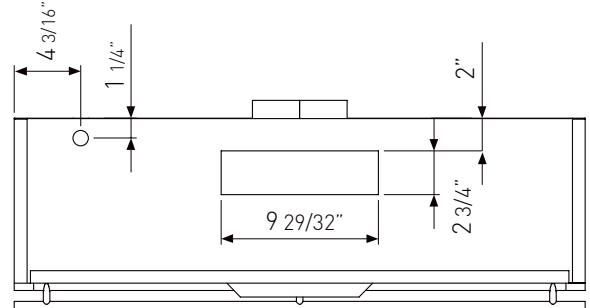
UNDER-CABINET

DESIGNER:
FU-TUNG CHENG

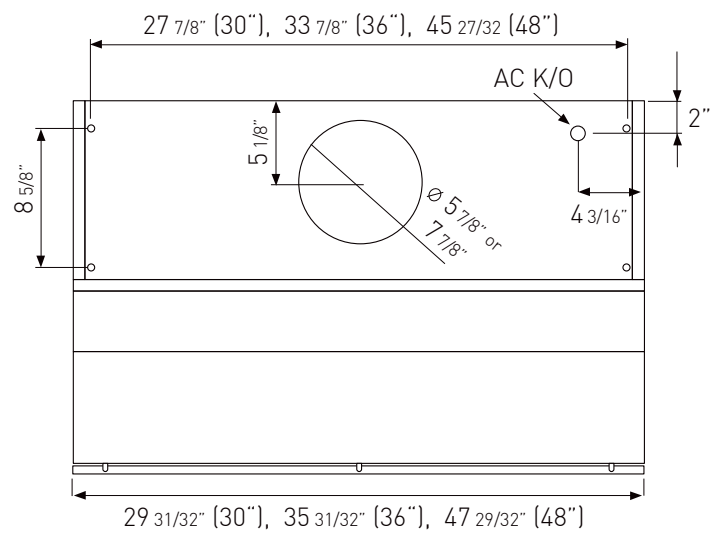
Another of Fu-Tung Cheng's stylish new concepts, Cache's subdued design eschews clutter, infusing your entire kitchen with ordered elegance. Beneath its sweeping, understated hood and signature utensil-rail, the Cache hides a

spacious storage compartment-perfect for housing herbs, spices, and other culinary devices.

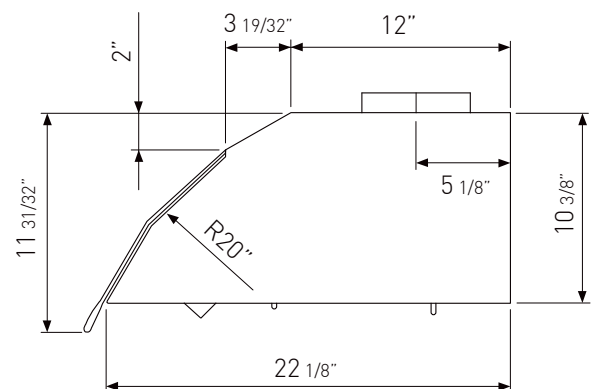
ZEPHYR
ZEPHYRONLINE.COM



Back



Top



Side

DESIGNER:
FU-TUNG CHENG

MODEL	CCA-E30ASX	CCA-E36ASX	CCA-E48ASX
Stainless Steel			
Size	30"	36"	48"
PERFORMANCE			
Internal Blower (CBI-290A)*	200-290 CFM, 1.4-3 sones	200-290 CFM, 1.4-3 sones	200-290 CFM, 1.4-3 sones
Internal Blower (CBI-600A)*	240-600 CFM, 1.8-6 sones	240-600 CFM, 1.8-6 sones	240-600 CFM, 1.8-6 sones
In-Line Blower (PBN-1000A)*	500-1,000 CFM, sones NA	500-1,000 CFM, sones NA	500-1,000 CFM, sones NA
External Blower (CBE-1000)*	500-1,000 CFM, sones NA	500-1,000 CFM, sones NA	500-1,000 CFM, sones NA
FEATURES			
Controls	Electronic Touch Controls	Electronic Touch Controls	Electronic Touch Controls
Speed Levels	3	3	3
Auto Delay-Off	Yes	Yes	Yes
Lighting	Halogen, 50W x2	Halogen, 50W x2	Halogen, 50W x4
Dual-Level Lighting	Yes	Yes	Yes
Filters	Professional Baffle	Professional Baffle	Professional Baffle
Recirculating Option	No	No	No
Extension Duct Cover Option	NA	NA	NA
DUCT SPECIFICATIONS			
Vertical - Internal Blower	6" Round	6" Round	6" Round
Horizontal - Internal Blower	3-1/4" x 10"	3-1/4" x 10"	3-1/4" x 10"
Vertical - External/In-Line Blower	10" - 8"***	10" - 8"***	10" - 8"***
Horizontal - External/In-Line Blower	NA	NA	NA
AC POWER			
Hood w/ CBI-290A	120V, 60Hz, Max. 1.65A	120V, 60Hz, Max. 1.65A	120V, 60Hz, Max. 2.55A
Hood w/ CBI-600A	120V, 60Hz, Max. 3.65A	120V, 60Hz, Max. 3.65A	120V, 60Hz, Max. 4.55A
Hood w/ PBN-1000A	120V, 60Hz, Max. 6.35A	120V, 60Hz, Max. 6.35A	120V, 60Hz, Max. 7.25A
Hood w/ CBE-1000	120V, 60Hz, Max. 7.15A	120V, 60Hz, Max. 7.15A	120V, 60Hz, Max. 8.05A
OPTIONAL ACCESSORIES			
Make-Up Air Kit	MUA006A (600 CFM) MUA008A (1,000 CFM)	MUA006A (600 CFM) MUA008A (1,000 CFM)	MUA006A (600 CFM) MUA008A (1,000 CFM)
MOUNTING HEIGHT RANGE***	24" - 36"	24" - 36"	24" - 36"
WARRANTY	3 years parts, 1 year labor	3 years parts, 1 year labor	3 years parts, 1 year labor

*Blower sold separately.

**10" round duct connects to external and in-line blower. Must transition from 10" to 8" before duct passes through ceiling. A 10" to 8" adapter is included with external and in-line blowers.

***Mounting height refers to distance between top of a 36" tall cooking surface and bottom of hood.