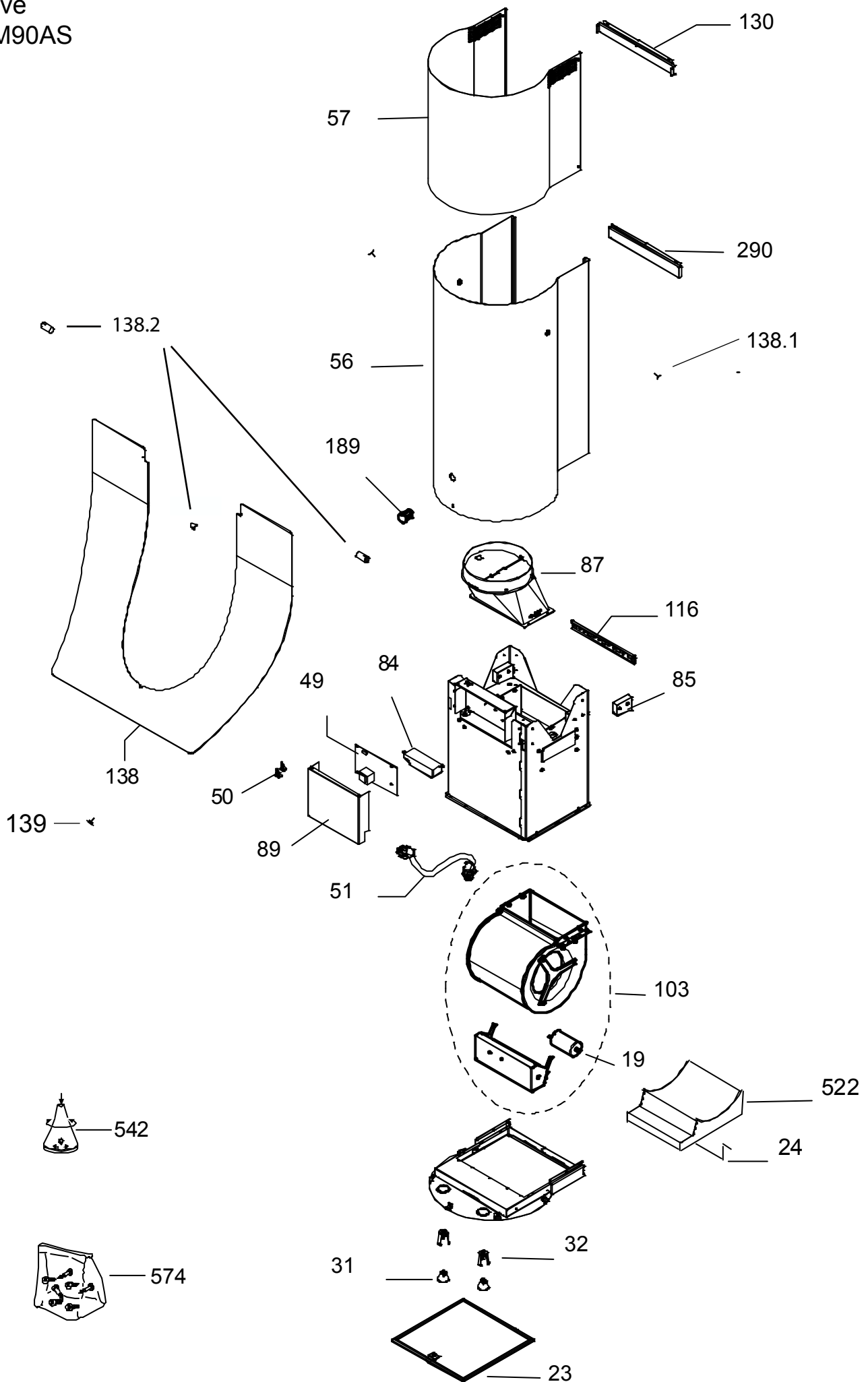


Concave
ECO-M90AS

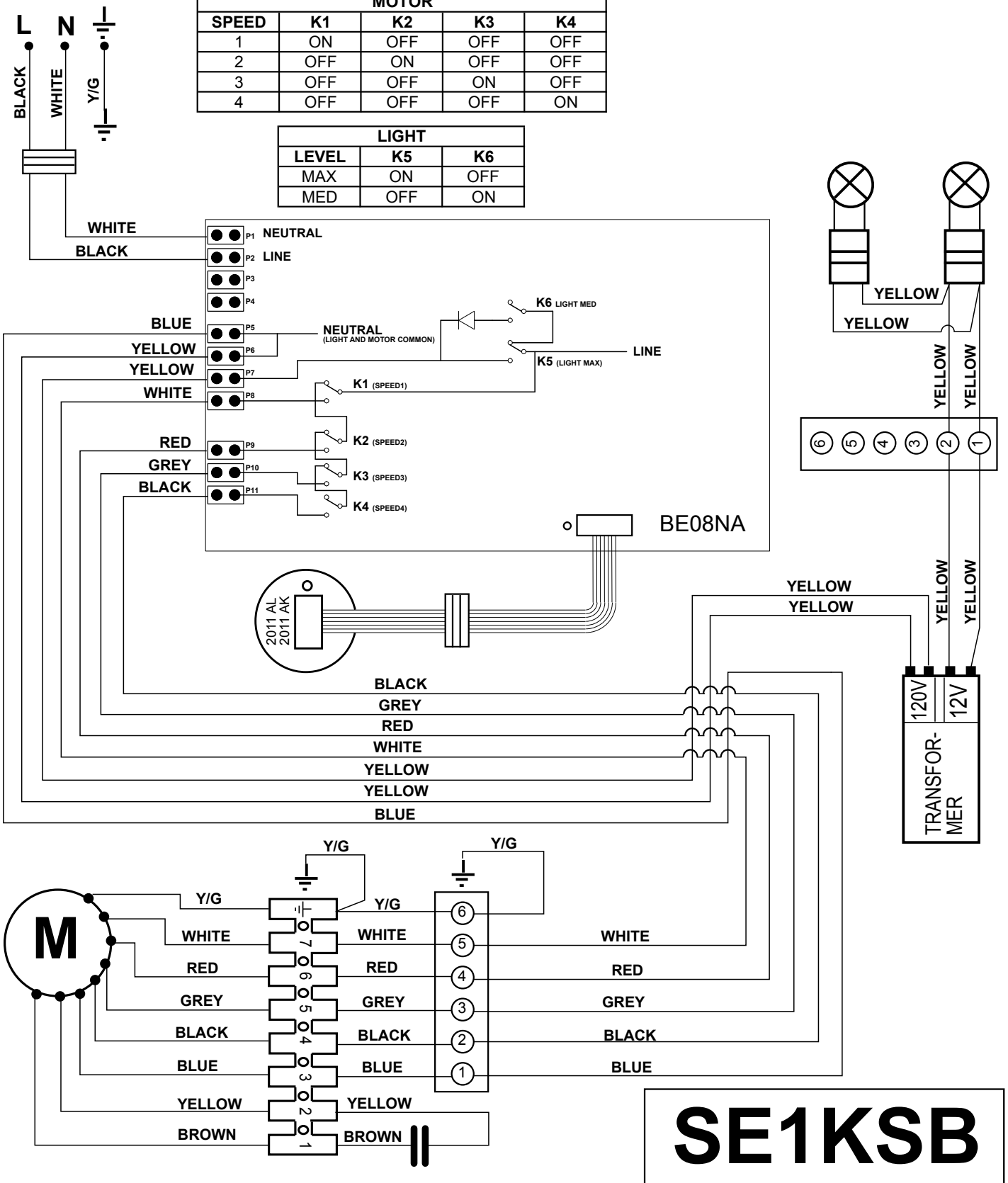


ECO-M90AS

| Ref # | Part # | Description | Qty. |
|-------|----------|--------------------------------------|------|
| 19 | 12050002 | Capacitor | 1 |
| 23 | 50200007 | Filter, Stainless Steel | 1 |
| 31 | Z0B-0009 | Bulb, Halogen 20W 12V GU-4/MR-11 | 2 |
| 32 | 12100028 | Light Socket, 20W GU-4/MR-11 | 2 |
| 24 | 54110005 | Bracket, Sound Dampening Sponge | 1 |
| 49 | 11010005 | Control Board | 1 |
| 50 | 56240009 | Spacers, Control Board | 4 |
| 51 | 11030005 | Cable, Control Ball | 1 |
| 56 | 50050004 | Duct Cover, Bottom | 1 |
| 57 | 50050033 | Duct Cover, Top | 1 |
| 84 | 12110002 | Transformer | 1 |
| 85 | 54140007 | Bracket, Motor Housing | 2 |
| 87 | 54050028 | Duct Transition Piece | 1 |
| 89 | 56200026 | Housing, Control Board | 1 |
| 103 | 12130014 | Motor Assembly, 600CFM | 1 |
| 116 | 54110033 | Bracket, Wall | 1 |
| 130 | 54110014 | Bracket, Duct Cover Top | 1 |
| 138 | 50300019 | Canopy | 1 |
| 138.2 | 12060003 | Connectors, Canopy Spacer Set | 1 |
| 138.1 | 01020018 | Screw, Canopy Spacer to Body Cover | 2 |
| 139 | 01070012 | Screw, M4 x 8mm, Bottom Canopy Guide | 1 |
| 189 | 11010002 | Control Ball | 1 |
| 290 | 54110016 | Bracket, Duct Cover Bottom | 1 |
| 522 | 56180001 | Sound Dampening Sponge | 1 |
| 542 | 14000001 | RF Remote Control | 1 |
| 574 | 05000010 | Hardware Packet | 1 |

| MOTOR | | | | |
|-------|-----|-----|-----|-----|
| SPEED | K1 | K2 | K3 | K4 |
| 1 | ON | OFF | OFF | OFF |
| 2 | OFF | ON | OFF | OFF |
| 3 | OFF | OFF | ON | OFF |
| 4 | OFF | OFF | OFF | ON |

| LIGHT | | |
|-------|-----|-----|
| LEVEL | K5 | K6 |
| MAX | ON | OFF |
| MED | OFF | ON |



SE1KSB