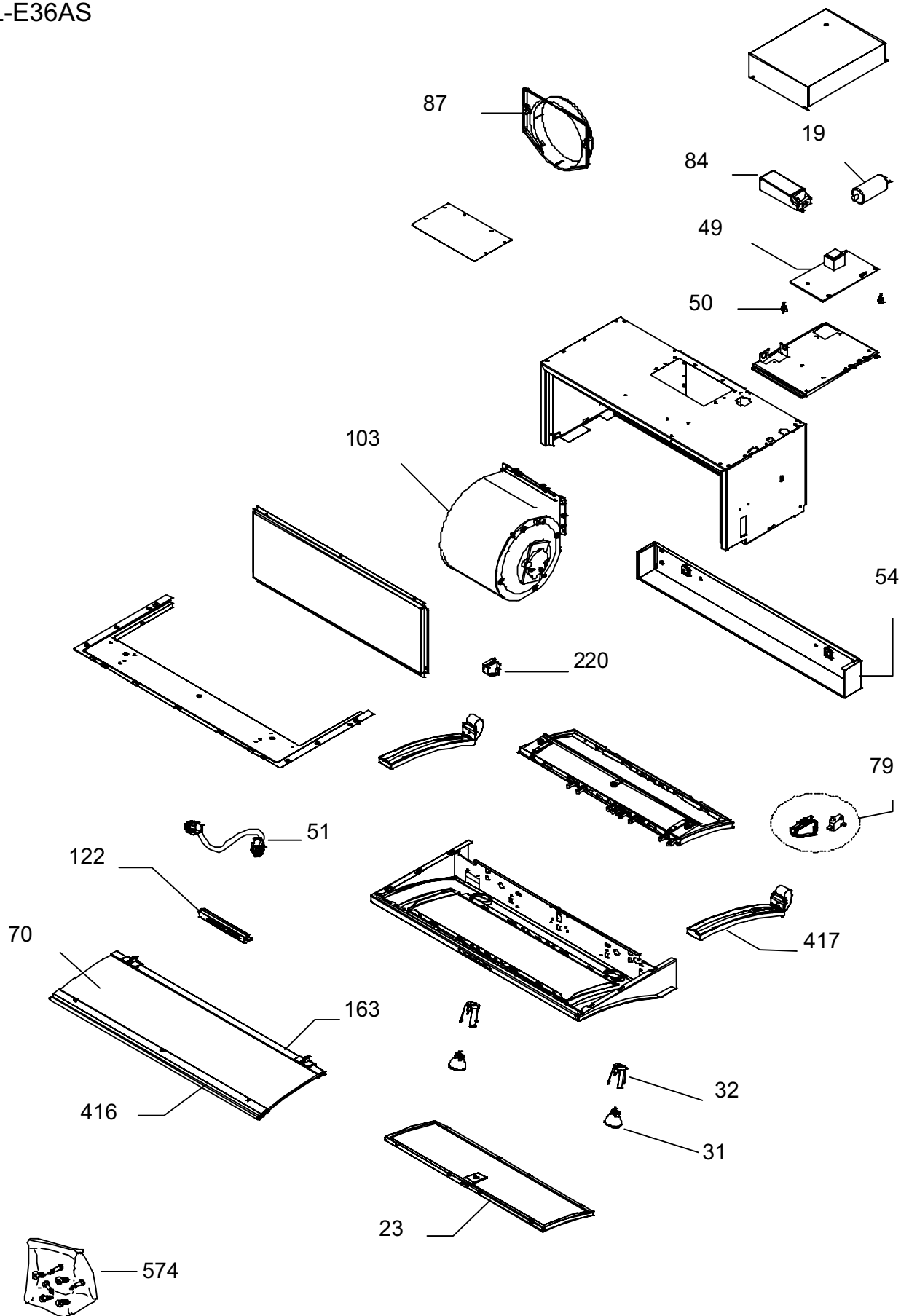


Glide
EGL-E30AS
EGL-E36AS



EGL-E30AS, EGL-E36AS

Ref #	Part #	Description	Qty.
19	12050003	Capacitor	1
23	50200008	Filter, Stainless Steel	1
31	Z0B-0009	Bulb, Halogen 20W 12V GU-4/MR-11	2
32	12100028	Light Socket, 20W GU-4/MR-11	2
49	11010008	Control Board	1
50	56240009	Screws, Control Board	5
51	11030011	Cable, Switch Assembly	1
54	50120020	Spacer Bar, EGL-E30AS	1
54	50120021	Spacer Bar, EGL-E36AS	1
70	50300025	Canopy, Glass EGL-E30AS	1
70	50300026	Canopy, Glass EGL-E36AS	1
79	11040001	Microswitch	1
84	12110002	Transformer	1
87	54050027	Duct Transition Piece	1
103	12130015	Motor Assembly, 450CFM	1
122	11000009	Switch Assembly	1
122-1	11010038	Switch Board	1
163	50170009	Moulding, Inside EGL-E30AS	1
163	50170008	Moulding, Inside EGL-E36AS	1
220	54150004	Clip	1
416	50170007	Moulding, Outside EGL-E30AS	1
416	50170006	Moulding, Outside EGL-E36AS	1
417	56240001	Door Slides	2
418	54140068	Bracket, Mounting, Upper	2
419	54140069	Bracket, Mounting, Lower	2
574	05000018	Hardware Packet	1

MAY09.0201