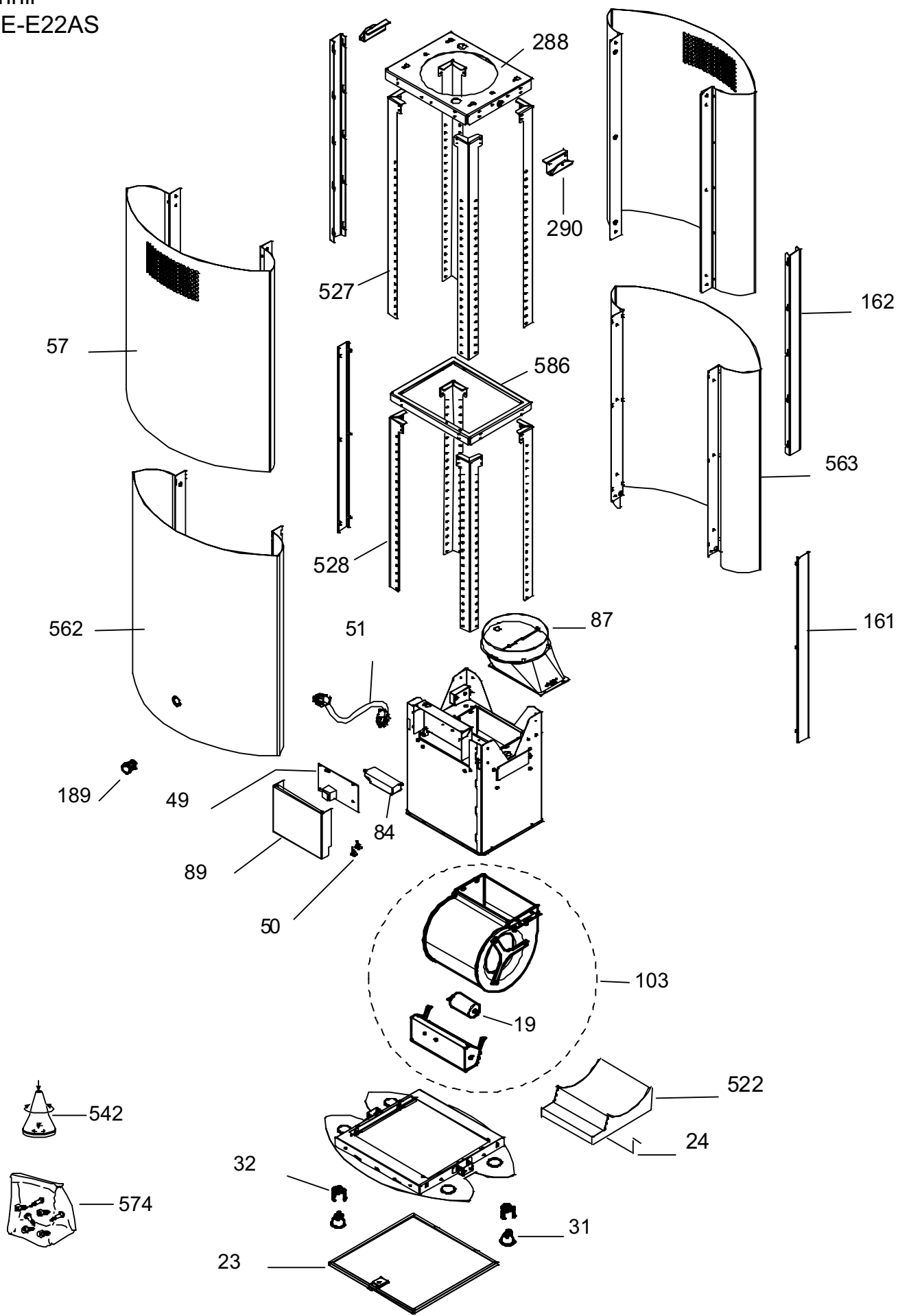


Menhir
EME-E22AS



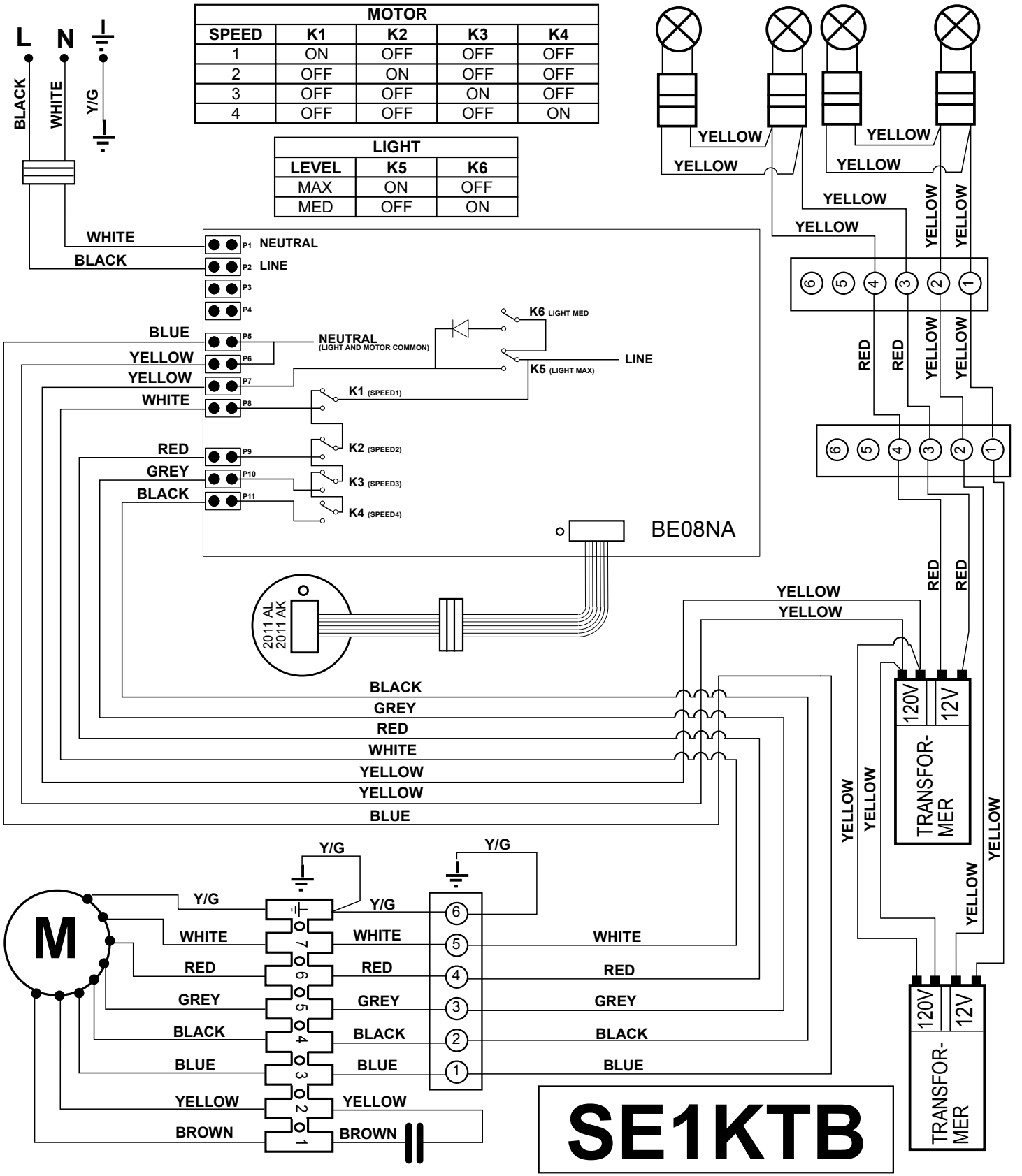
EME-E22AS

Ref #	Part #	Description	Qty.
19	12050002	Capacitor	1
23	50200007	Filter, Stainless Steel	1
24	54110005	Bracket, Sound Dampening Sponge	1
31	Z0B-0009	Bulb, Halogen 20W 12V GU-4/MR-11	4
32	12100028	Light Socket, 20W GU-4/MR-11	4
49	11010005	Control Board	1
50	56240009	Spacers, Control Board	4
51	11030005	Cable, Control Ball	1
57	50050032	Duct Cover, Top	2
84	12110002	Transformer	2
87	54050028	Duct Transition Pieces	1
89	56200026	Housing, Control Board	1
103	12130014	Motor Assembly, 600CFM	1
161	50170010	Moulding, Bottom	2
162	50170011	Moulding, Top	2
189	11010002	Control Ball	1
288	54100007	Bracket, Ceiling	1
290	54110011	Bracket, Duct Cover, Top	2
522	56180001	Sound Dampening Sponge	1
527	54120003	Bracket, Top Angle	4
528	54120004	Bracket, Bottom Angle	4
542	14000001	RF Remote Control	1
562	50050014	Duct Cover, Bottom Front	1
563	50050012	Duct Cover, Bottom Back	1
574	05000016	Hardware Packet	1
586	54140008	Bracket, Rectangular Support	1

JAN07.0101

MOTOR				
SPEED	K1	K2	K3	K4
1	ON	OFF	OFF	OFF
2	OFF	ON	OFF	OFF
3	OFF	OFF	ON	OFF
4	OFF	OFF	OFF	ON

LIGHT		
LEVEL	K5	K6
MAX	ON	OFF
MED	OFF	ON



SE1KTB