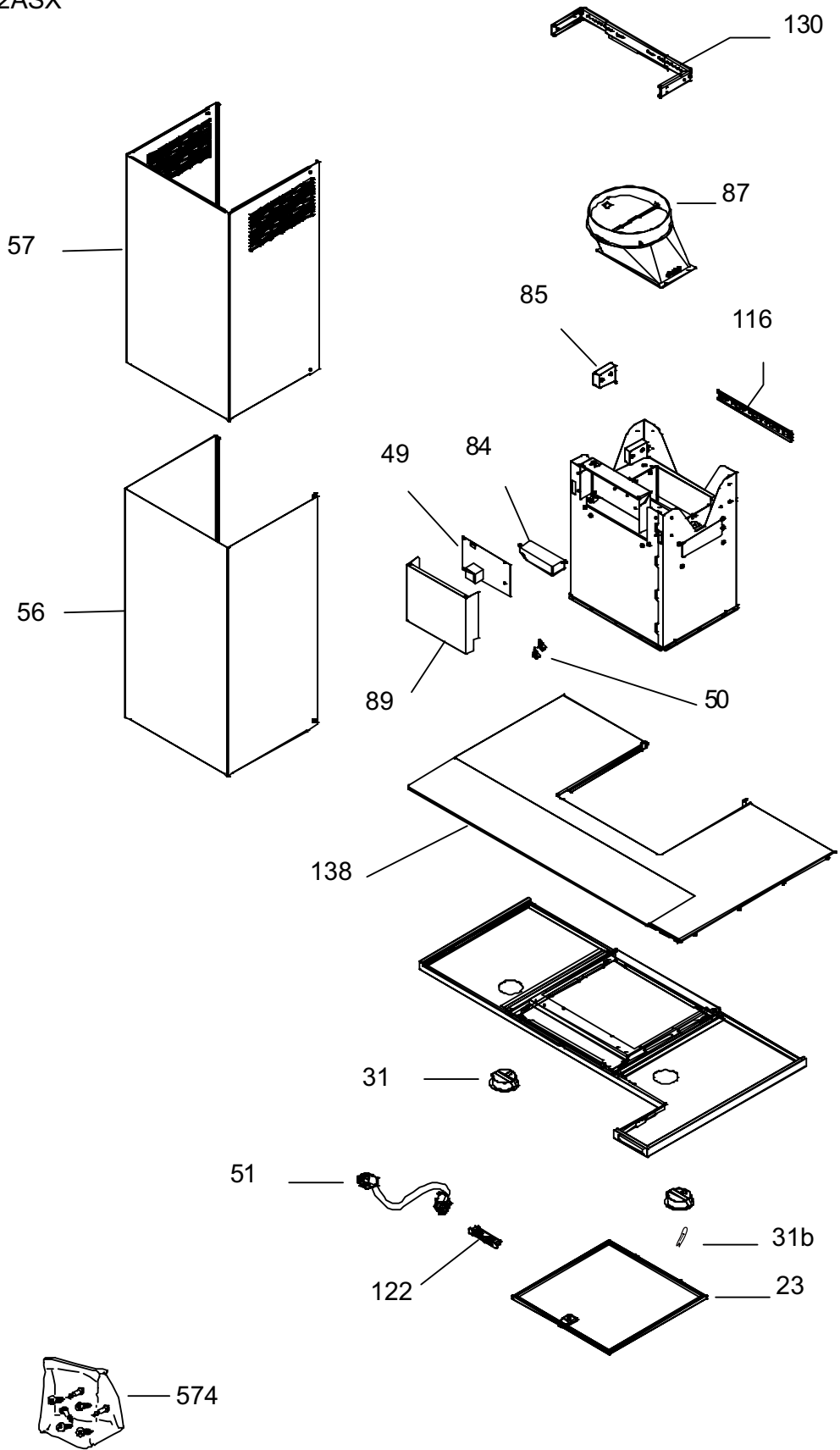


Optica Wall
EOP-E36ASX
EOP-E42ASX



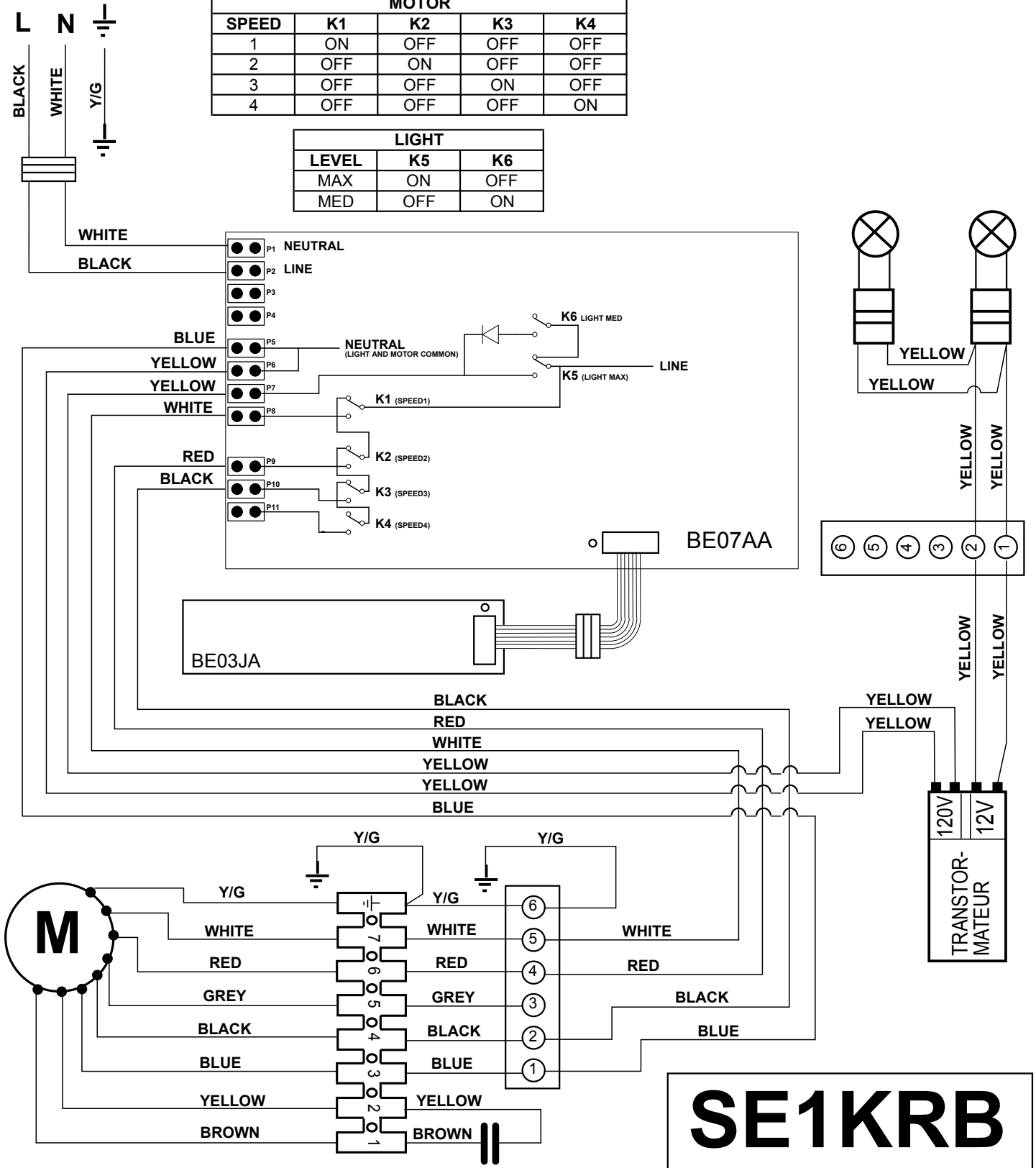
EOP-E36ASX, EOP-E42ASX

Ref #	Part #	Description	Qty.
23	50200007	Filter, Stainless Steel	2
31	12100031	Bulb, Halogen w/Socket 20W 12V G-4 bi-pin	2
31b	Z0B-0013	Bulb, Halogen 20W 12V G-4 bi-pin	2
49	11010004	Control Board	1
50	56240009	Spacers, Control Board	4
51	11030009	Cable, Switch Assembly	1
56	50050007	Duct Cover, Bottom	1
57	50050029	Duct Cover, Top	1
84	12110002	Transformer	1
85	54140007	Bracket, Motor Housing	2
87	54050028	Duct Transition Piece	1
89	56200026	Housing, Control Board	1
116	54110033	Bracket, Wall	1
122	11000020	Switch Assembly	1
130	54110007	Bracket, Duct Cover	2
138	50300011	Canopy, EOP-E36ASX	1
138	50300005	Canopy, EOP-E42ASX	1
574	05000012	Hardware Packet	1

MAR07.0101

MOTOR				
SPEED	K1	K2	K3	K4
1	ON	OFF	OFF	OFF
2	OFF	ON	OFF	OFF
3	OFF	OFF	ON	OFF
4	OFF	OFF	OFF	ON

LIGHT		
LEVEL	K5	K6
MAX	ON	OFF
MED	OFF	ON



SE1KRB