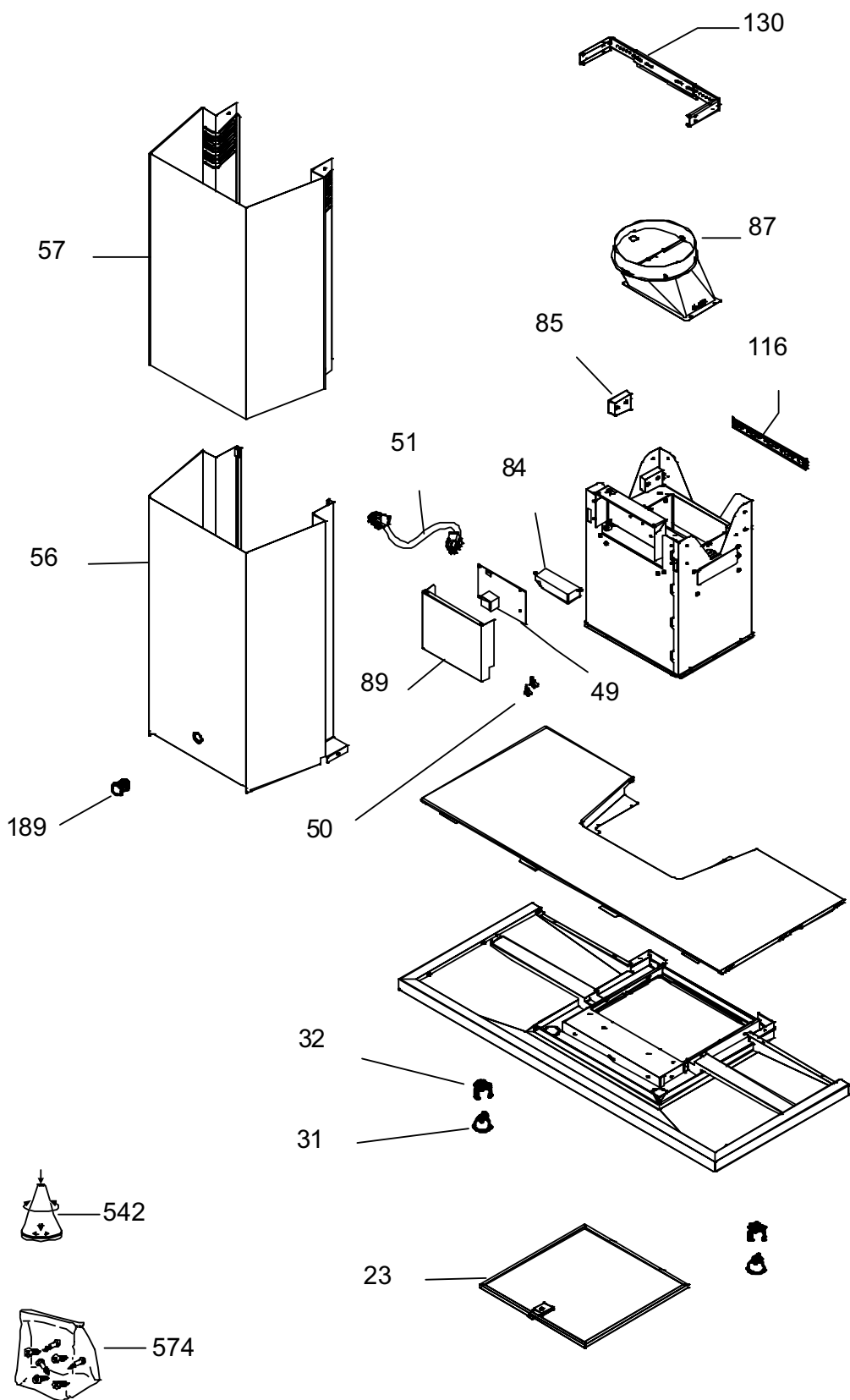


Samurai  
ESA-E36ASX  
ESA-E42ASX



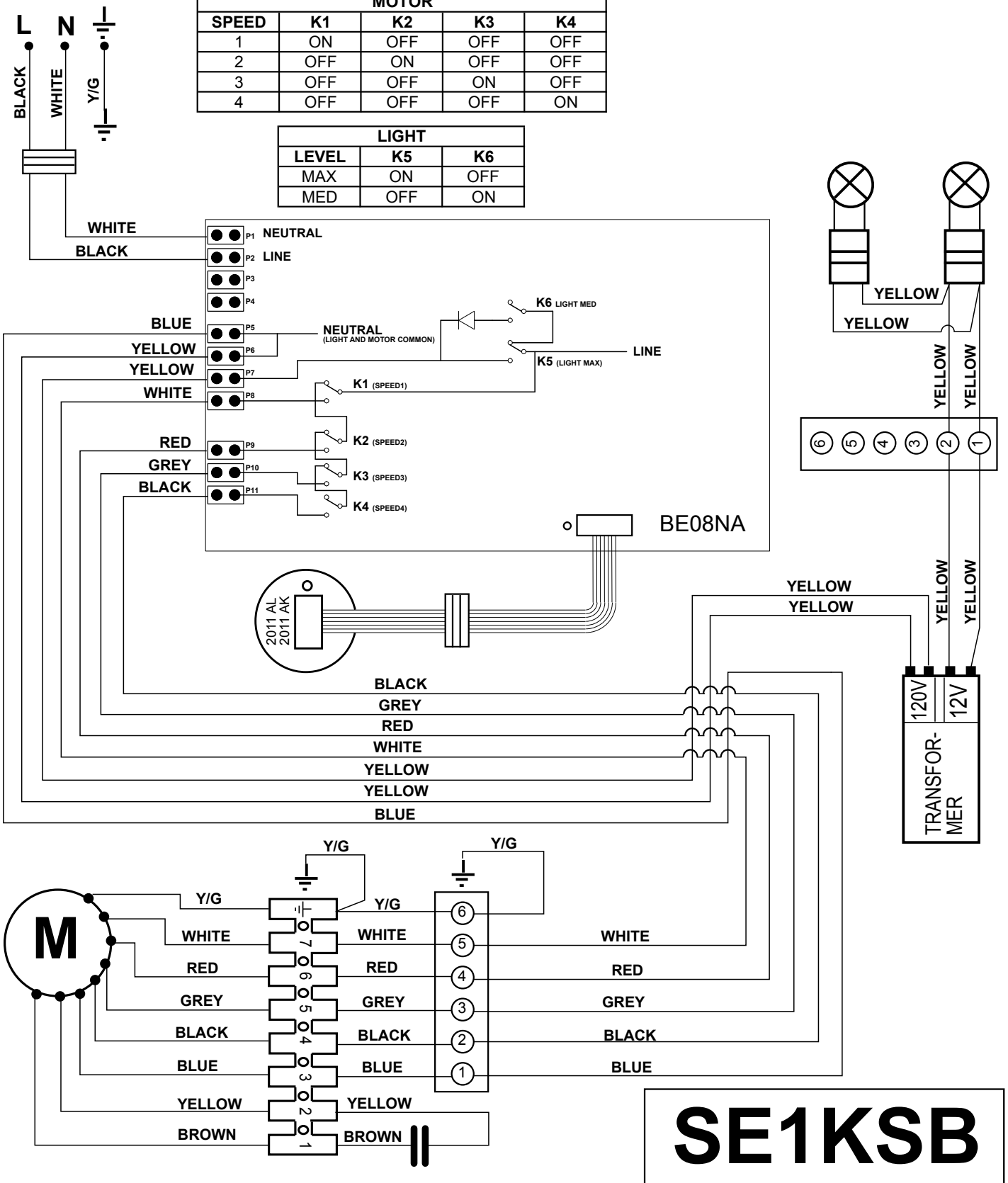
**ESA-E36ASX, ESA-E42ASX**

Ref #	Part #	Description	Qty.
23	50200007	Filter, Stainless Steel	1
31	Z0B-0009	Bulb, Halogen 20W 12V GU-4/MR-11	2
32	12100028	Light Socket, 20W GU-4/MR-11	2
49	11010005	Control Board	1
50	56240009	Spacers, Control Board	4
51	11030005	Cable, Control Ball	1
56	50050010	Duct Cover, Bottom	1
57	50050030	Duct Cover, Top	1
84	12110002	Transformer	1
85	54140007	Bracket, Motor Housing	2
87	54050028	Duct Transition Piece	1
89	56200026	Housing, Control Board	1
116	54110022	Bracket, Wall	1
130	54110007	Bracket, Duct Cover	1
189	11010002	Control Ball	1
542	14000001	RF Remote Control	1
574	05000021	Hardware Packet	1

JAN07.0101

MOTOR				
SPEED	K1	K2	K3	K4
1	ON	OFF	OFF	OFF
2	OFF	ON	OFF	OFF
3	OFF	OFF	ON	OFF
4	OFF	OFF	OFF	ON

LIGHT		
LEVEL	K5	K6
MAX	ON	OFF
MED	OFF	ON



**SE1KSB**