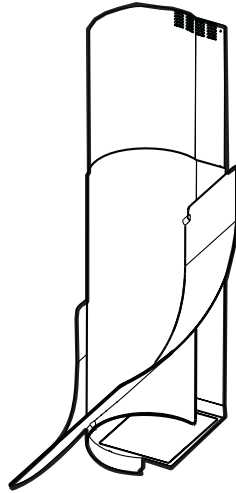


Use, Care, and Installation Guide

Guide d'utilisation, d'entretien et d'installation

Guía de instalación, uso y mantenimiento

Concave ECO-M90AS



Model number:
Numéro de modèle : _____
Número de modelo: _____

Serial number:
Numéro de série : _____
Número de serie: _____

Date of Purchase:
Date d'achat : _____
Fecha de compra: _____

Sales Dealer:
Détaillant : _____
Distribuidor: _____

JAN06.0101

READ AND SAVE THESE INSTRUCTIONS
LISEZ CES INSTRUCTIONS ET CONSERVEZ-LES
LEA Y GUARDE ESTAS INSTRUCCIONES



GB page	2
F page	25
E page	49

**APPROVED FOR RESIDENTIAL APPLIANCES
FOR RESIDENTIAL USE ONLY
READ AND SAVE THESE INSTRUCTIONS**

PLEASE READ ENTIRE INSTRUCTIONS BEFORE PROCEEDING.

INSTALLATION MUST COMPLY WITH ALL LOCAL CODES.

IMPORTANT: Save these Instructions for the Local Electrical Inspector's use.

INSTALLER: Please leave these Instructions with this unit for the owner.

OWNER: Please retain these instructions for future reference.

Safety Warning: Turn off power circuit at service panel and lock out panel, before wiring this appliance.

Requirement: 120 V AC, 60 Hz. 15 or 20 A Branch Circuit

Important safety Notice 4

Electrical & Installation requirements 5

 Electrical requirements 5

 Before installing the hood 5

List of Materials 6

 Parts supplied: 6

 Parts not supplied 6

Dimensions and clearances 7

Installation Instructions 8

 Venting methods 8

 Preparation 8

Installation - Ductwork Calculation Sheet 9

Installation 10

 Electrical connection 12

Description of the hood 15

 Control Ball 16

 Remote Control 17

Maintenance 18

 Cleaning 18

 Grease filter 18

 Replacing the light bulb: 18

 Trouble Shooting 19

Warranty 20

List of Parts and Accessories 21

Exploded View Diagram 22

 Part Numbers 23

READ AND SAVE THESE INSTRUCTIONS

Important safety Notice

CAUTION:

FOR GENERAL VENTILATING USE ONLY. **DO NOT USE TO EXHAUST HAZARDOUS OR EXPLOSIVE MATERIALS OR VAPORS.**

WARNING

TO REDUCE THE RISK OF FIRE, ELECTRIC SHOCK, OR INJURY TO PERSONS, OBSERVE THE FOLLOWING:

- A. Use this unit only in the manner intended by the manufacturer. If you have questions, contact the manufacturer.
- B. Before servicing or cleaning the unit, switch power off at service panel and lock service panel disconnecting means to prevent power from being switched on accidentally. When the service disconnecting means cannot be locked, securely fasten a prominent warning device, such as a tag, to the service panel.
- C. Installation Work and Electrical Wiring Must Be Done By Qualified Person(s) In Accordance With All Applicable Codes & Standards, Including Fire-rated Construction.
- D. Sufficient air is needed for proper combustion and exhausting of gases through the flue (chimney) of fuel burning equipment to prevent back-drafting. Follow the heating equipment manufacturers guideline and safety standards such as those published by the National Fire Protection Association (NFPA), the American Society for Heating, Refrigeration and Air Conditioning Engineers (ASHRAE), and the local code authorities.
- E. When cutting or drilling into wall or ceiling, do not damage electrical wiring and other hidden utilities.
- F. Ducted systems must always be vented to the outdoors.

CAUTION:

To reduce risk of fire and to properly exhaust air, be sure to duct air outside - do not vent exhaust air into spaces within walls, ceilings, attics, crawl spaces, or garages.

WARNING

TO REDUCE THE RISK OF FIRE, USE ONLY METAL DUCT WORK.

Install this hood in accordance with all requirements specified.

WARNING

To Reduce The Risk Of Fire Or Electric Shock, Do Not Use This Hood With Any External Solid State Speed Control Device.

WARNING

TO REDUCE THE RISK OF A RANGE TOP GREASE FIRE.

- a) Never leave surface units unattended at high settings. Boilovers cause smoking and greasy spillovers that may ignite. Heat oils slowly on low or medium settings.
- b) Always turn hood ON when cooking at high heat or when flambeing food (i.e. Crepes Suzette, Cherries Jubilee, Peppercorn Beef Flambe').
- c) Clean ventilating fans frequently. Grease should not be allowed to accumulate on fan or filter.
- d) Use proper pan size. Always use cookware appropriate for the size of the surface element.

WARNING

TO REDUCE THE RISK OF INJURY TO PERSONS, IN THE EVENT OF A RANGE TOP GREASE FIRE, OBSERVE THE FOLLOWING:

- a) **SMOTHER FLAMES** with a close-fitting lid, cookie sheet, or other metal tray, then turn off the gas burner or the electric element. **BE CAREFUL TO PREVENT BURNS.** If the flames do not go out immediately, **EVACUATE AND CALL THE FIRE DEPARTMENT.**
- b) **NEVER PICK UP A FLAMING PAN** - you may be burned.
- c) **DO NOT USE WATER**, including wet dishcloths or towels - a violent steam explosion will result.
- d) Use an extinguisher **ONLY** if:
 - 1) You know you have a class ABC extinguisher, and you already know how to operate it.
 - 2) The fire is small and contained in the area where it started.
 - 3) The fire department is being called.
 - 4) You can fight the fire with your back to an exit.

OPERATION

- a. Always leave safety grills and filters in place. Without these components, operating blowers could catch onto hair, fingers and loose clothing.

The manufacturer declines all responsibility in the event of failure to observe the instructions given here for installation, maintenance and suitable use of the product. The manufacturer further declines all responsibility for injury due to negligence and the warranty of the unit automatically expires due to improper maintenance.

* NOTE: Please check our website for revisions before doing any custom work.

ELECTRICAL REQUIREMENTS

Important:

Observe all governing codes and ordinances.

It is the customer's responsibility:

- To contact a qualified electrical installer.
- To assure that the electrical installation is adequate and in conformance with National Electrical Code, ANSI/NFPA 70 — latest edition*, or CSA Standards C22.1-94, Canadian Electrical Code, Part 1 and C22.2 No.0-M91 - latest edition** and all local codes and ordinances.

If codes permit and a separate ground wire is used, it is recommended that a qualified electrician determine that the ground path is adequate.

Do not ground to a gas pipe.

Check with a qualified electrician if you are not sure range hood is properly grounded.

Do not have a fuse in the neutral or ground circuit.

IMPORTANT:

Save Installation Instructions for electrical inspector's use.

The range hood must be connected with copper wire only.

The range hood should be connected directly to the fused disconnect (or circuit breaker) box through metal electrical conduit.

Wire sizes must conform to the requirements of the National Electrical Code ANSI/NFPA 70 — latest edition*, or CSA Standards C22.1-94, Canadian Electrical Code Part 1 and C22.2 No. 0-M91 - latest edition** and all local codes and ordinances.

A U.L.- or C.S.A.-listed conduit connector must be provided at each end of the power supply conduit (at the range hood and at the junction box).

Copies of the standards listed may be obtained from:

* National Fire Protection Association Batterymarch Park Quincy, Massachusetts 02269

** CSA International 8501 East Pleasant Valley Road Cleveland, Ohio 44131-5575

BEFORE INSTALLING THE HOOD

1. For the most efficient air flow exhaust, use a straight run or as few elbows as possible.
CAUTION: Vent unit to outside of building, only.
2. Almost 3 people are necessary for installation.
3. The hood is fitted with Screws and Drywall Anchors suitable for most surfaces, consult a Qualified Installer, check if they perfectly fit with your cabinet/wall.
4. Do not use flex ducting.
5. COLD WEATHER installations should have an additional backdraft damper installed to minimize backward cold air flow and a nonmetallic thermal break to minimize conduction of outside temperatures as part of the ductwork. The damper should be on the cold air side of the thermal break.
The break should be as close as possible to where the ducting enters the heated portion of the house.
6. Make up air: Local building codes may require the use of Make-Up Air Systems when using Ducted Ventilation Systems greater than specified CFM of air movement.
The specified CFM varies from locale to locale. Consult your HVAC professional for specific requirements in your area.

List of Materials

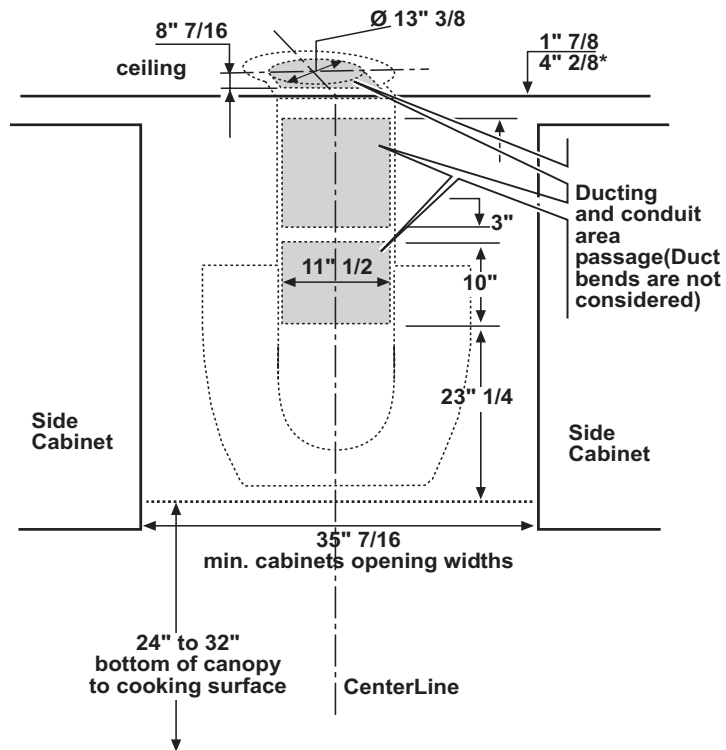
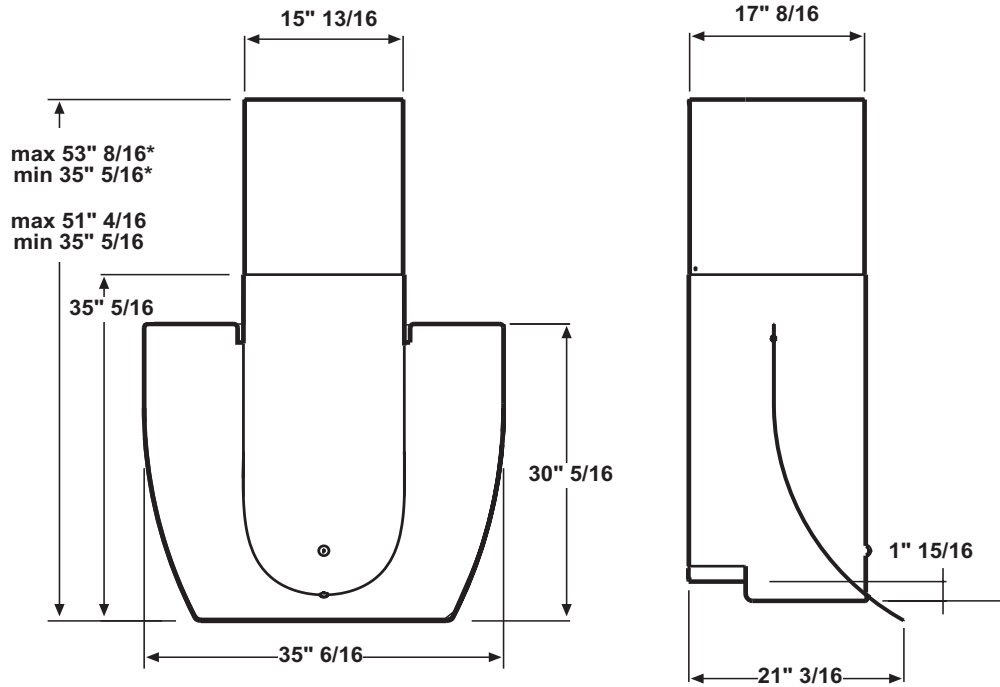
PARTS SUPPLIED:

- Blower unit housing
- Hood canopy
- Metal filter x 1
- Halogen light bulb x 2
- Duct covers
- Decorative panel
- Hardware Packet:
 - Allen spanner x 1
 - Remote Control
 - Cloth
 - Duct cover support bracket
 - Lower duct cover bracket
 - Lower support bracket
 - Template
 - Use, Care and Installation guide
 - Control Ball with molex plug
 - 6x70 screws x 4 (to fix Duct cover brackets)
 - 10x60 wall anchors x 4 (to fix Duct cover brackets)
 - 5 x 45 screws x 3 (2 to fix Lower support bracket + 1 for securing hood)
 - 2,9x6,5 screws x 2 (to fix duct cover)
 - M5x12 screws x 2 (to fix decorative panel)

PARTS NOT SUPPLIED

- Duct, conduit and all tools required for installation.
- **Ductless conversion kit**
to be used only in the **Ductless (recirculating) version**
includes: charcoal filter, charcoal filter support and fixing bracket, deflector

Dimensions and clearances



* Ductless (recirculating) version ONLY

Installation Instructions

Closely follow the instructions set out in this manual.

All responsibility, for any eventual inconveniences, damages or fires caused by not complying with the instructions in this manual, is declined.

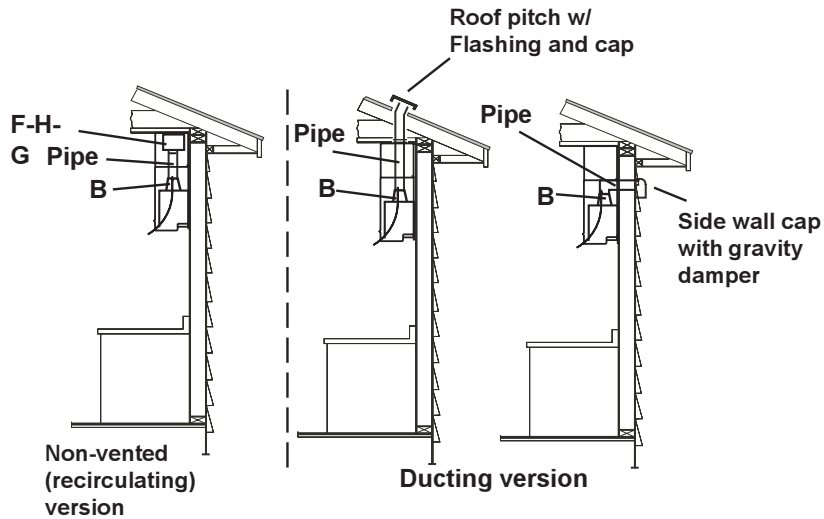
VENTING METHODS

The hood is equipped with a transition **B** for discharge of fumes to the outside (**Ducting version**).

Should it not be possible to discharge cooking fumes and vapour to the outside, the hood can be used in the **Ductless (recirculating) version**. Attach a charcoal filter and the deflector **F** on the duct cover support bracket **G**. Fumes and vapors are recycled through the top grille **H** by means of a duct connected to the transition **B** and the transition mounted on the deflector **F**.

NOTE: For ductless (recirculating) version only: purchase the ductless conversion kit.

Minimum Duct Size (Ducting/Ductless version): 8" Round Pipe.



PREPARATION

Do not cut a joist or stud unless absolutely necessary. If a joist or stud must be cut, then a supporting frame must be constructed.

Fittings material is provided to secure the hood to most types of walls/ceilings.

However, a qualified technician must verify suitability of the materials in accordance with the type of wall/ceiling.

The weight of the hood is:

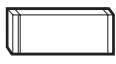

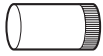
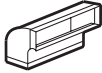
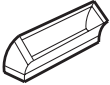


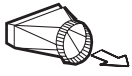
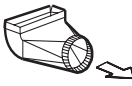


Before making cutouts, make sure there is proper clearance within the ceiling or wall for exhaust vent.

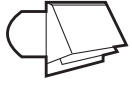


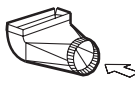





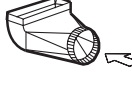
Hood installation height above cooktop is the users preference. The lower the hood above the cooktop, the more efficient the capturing of cooking odors, grease and smoke.

The hood shall be installed at 24" minimum to 32" above the countertop.

Check your ceiling height and the hood height maximum before you select your hood.

Installation - Ductwork Calculation Sheet

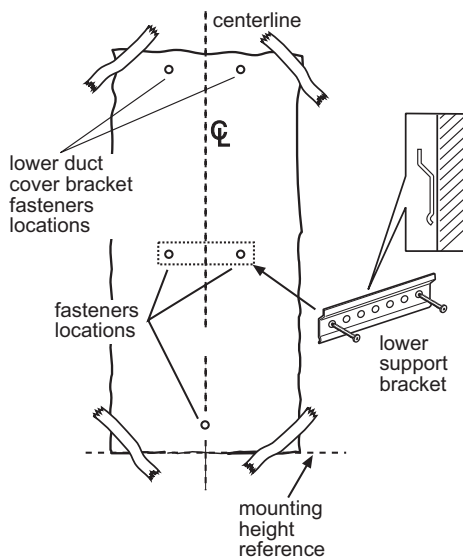
Duct pieces		Equivalent number length x used =	Total
	3 1/4 " x 10" Rect., straight	1 Ft. x () =	Ft.
	6 " Round,, straight	1 Ft. x () =	Ft.
	7", 8" Round,, straight	1 Ft. x () =	Ft.
	3 1/4 " x 10" Rect.90° elbow	15 Ft. x () =	Ft.
	3 1/4 " x 10" Rect.45° elbow	9 Ft. x () =	Ft.
	3 1/4 " x 10" Rect.90° flat elbow	24 Ft. x () =	Ft.
	3 1/4 " x 10" Rect. wall cap with damper	30 Ft. x () =	Ft.
	3 1/4 " x 10" Rect.to 6 " round transition	5 Ft. x () =	Ft.
	3 1/4 " x 10" Rect.to 6 " round transition 90° elbow	15 Ft. x () =	Ft.
	6 " Round,, 90° elbow	15 Ft. x () =	Ft.
	6 " Round,, 45°elbow	9 Ft. x () =	Ft.
Subtotal column 1 =			

Duct pieces		Equivalent number length x used =	Total
	6" Round wall cap with damper	30 Ft. x () =	Ft.
	6" Round, roof cap	30 Ft. x () =	Ft.
	6" Round to 3 1/4 " x 10" rect. transition	1 Ft. x () =	Ft.
	6" Round to 3 1/4 " x 10" rect. transition 90° elbow	16 Ft. x () =	Ft.
	7", 8" round 90° elbow	15 Ft. x () =	Ft.
	7", 8" round 45° elbow	9 Ft. x () =	Ft.
	7", 8" Round wall cap with damper	30 Ft. x () =	Ft.
	7", 8" Round, roof cap	30 Ft. x () =	Ft.
	7" Round to 3 1/4 " x 10" rect. transition	8 Ft. x () =	Ft.
	7" Round to 3 1/4 " x 10" rect. transition 90° elbow	15 Ft. x () =	Ft.
		Subtotal column 2 =	
		Subtotal column 2 =	
		Total ductwork =	

Maximum Duct Length: For satisfactory air movement, the total duct length should not exceed 100 equivalent feet.

Installation

1. If possible, disconnect and move freestanding or slide-in range from cabinet opening to provide easier access to rear wall. Otherwise put a thick, protective covering over countertop, cooktop or range to protect from damage or dirt. Select a flat surface for assembling the unit. Cover that surface with a protective covering and place all canopy hood parts and hardware in it.
2. Determine and mark the centerline on the wall where the canopy hood will be installed.
3. Select a mounting height comfortable for the user and mark on wall behind cooktop.
4. Tape template, matching center-line and hood bottom as shown in Figure below.
5. Place the lower support bracket on the template making it coincide with the traced rectangle, mark center of two fastener location, in addition mark two upper and one lower fastener locations then remove template.



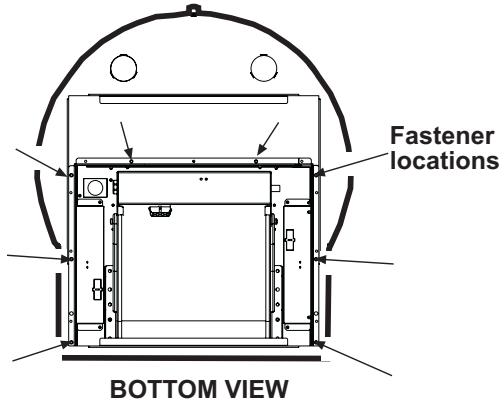
6. Mark wall with horizontal line 1" above highest and 1" below lowest fastener location.
7. Find studs behind drywall by tapping wall or using a stud finder. Mark the center of the studs with a vertical line to the right and left of the marked fastener location.
8. **Note:** all fastener location must span the studs otherwise proceed as follows: Cutout drywall along marked lines. Install each necessary between studs firmly flush with already existing stud front. Make sure all mounting screws will anchor to added studs. Replace drywall and refinish.
9. Determine and make all necessary cuts in the wall for the vent system. Install the vent system before the canopy hood. See „Venting methods“ and „Dimensions and clearance“ paragraphs.
Note - for Ductless - recirculating - installations: Vent system is not required.
10. Determine the required height for the conduit and cut a 1-1/4" (3.2 cm) hole at this location. Run wires through hole according the National Electrical Code or CSA Standards and local codes and ordinances.

There must be enough power supply cable from the fused disconnect (or circuit breaker) box to make the connection in the hood's Junction box/es.

Use caulking to seal all openings.
Do Not turn on power until installation is completed.
11. Remark center line and hood bottom on same location as before and tape template on wall as in step 4 above.
12. Mount the lower support bracket with wood screws (supplied in mounting hardware kit) on locations marked on template, then remove template.
13. Install duct cover support bracket to wall flush to ceiling with drywall anchors supplied (the duct cover support bracket should be installed about 1/8" (3mm) away from the ceiling).
For Ductless (recirculating) installations
Install the deflector (available as an extra kit) under the duct cover support bracket.

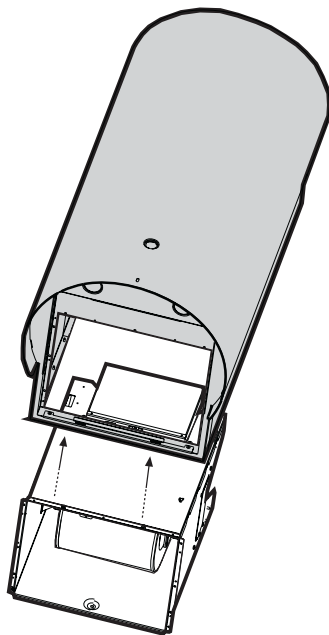
14. Canopy and blower unit housing are assembled for shipping, these must be divided:

a. Put the canopy and the Blower unit housing assembly on a flat surface, remove the grease filter (see also Care & Use section) and remove all screws from fastener locations (max may be 8).



b. Slide out the canopy (if necessary, disconnect all cable connections, see also step 22b for further details).

Note: if canopy doesn't slide out easily, please check that it doesn't interfere with any part of the blower unit inside.

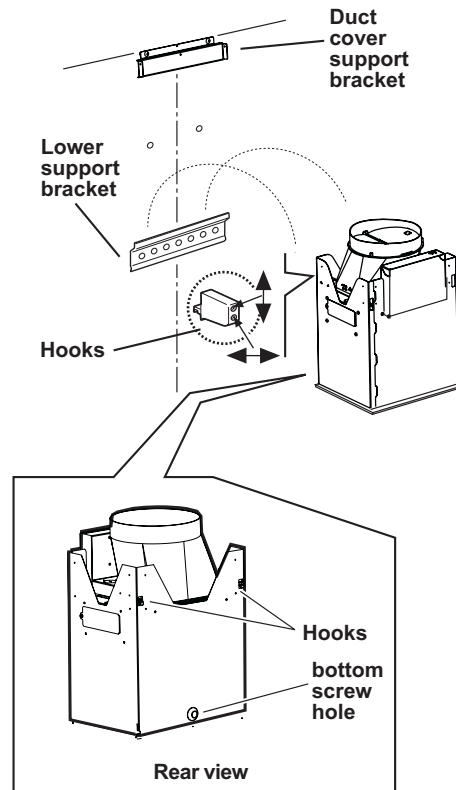


15. Hang the blower unit housing with the 2 mounting hooks.

WARNING
Excessive Weight Hazard - Use two or more people to move and install range hood. Failure to do so can result in back or other injury.

16. Level the appliance, using a carpenter's level across bottom of hood with leveling screws in mounting hooks.

17. Secure hood with 1 screw on bottom.



18. Connect ducting to transition. Seal with duct tape.

Do not use duct smaller than the transition. For **Ductless - recirculating - installations** only: provide and install a duct to connect hood transition to deflector (the deflector is available as an extra kit).

19. Electrical connection

WARNING

Electrical Shock Hazard

Warning: Turn off power circuit at the service panel before wiring this unit.

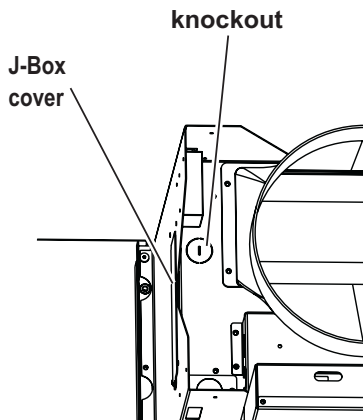
120 VAC, 15 or 20 Amp circuit required.

ELECTRICAL GROUNDING INSTRUCTIONS

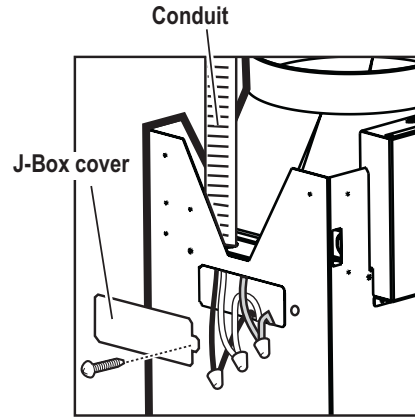
THIS APPLIANCE IS FITTED WITH AN ELECTRICAL JUNCTION BOX WITH 3 WIRES, ONE OF WHICH (GREEN/YELLOW) SERVES TO GROUND THE APPLIANCE. TO PROTECT YOU AGAINST ELECTRIC SHOCK, THE GREEN AND YELLOW WIRE MUST BE CONNECTED TO THE GROUNDING WIRE IN YOUR HOME ELECTRICAL SYSTEM, AND IT MUST UNDER NO CIRCUMSTANCES BE CUT OR REMOVED.

Failure to do so can result in death or electrical shock.

Facing the front of the range hood, remove the left knockout and the Junction box cover and install the conduit connector (cULUS listed) in junction box.



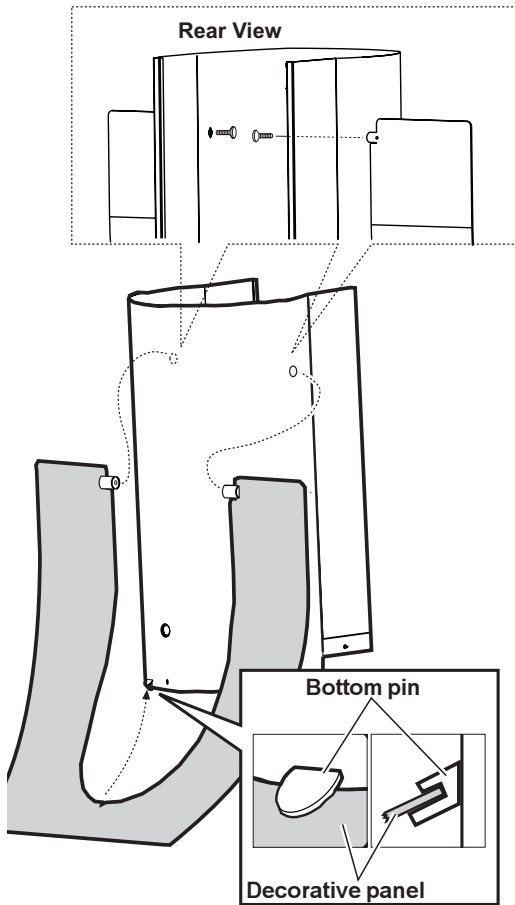
Run 3 wires; black, white and green, according to the National Electrical Code and local codes and ordinances, in 1/2" conduit from service panel to junction box.



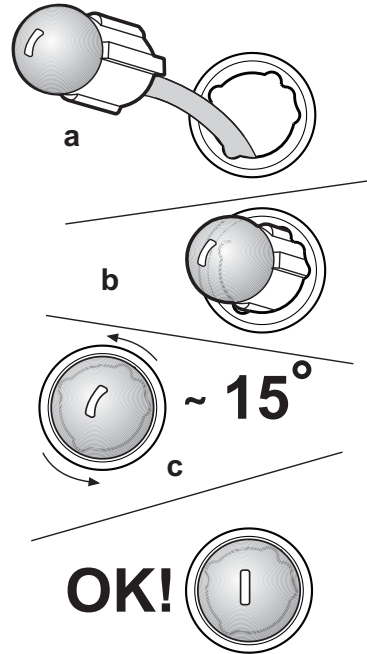
Connect black wire from service panel to black or red in junction box, white to white and green to green-yellow.

Close junction box cover.

20. Final assembly of the duct covers (canopy):
Lower section of the duct cover serves to hang the decorative panel.
Use pins (2 upper + fixing screws and 1 at the bottom) to fix the decorative panel.
Check that panel is firmly fixed on its position.



21. Fit control ball with its molex plug on its housing and twist in place.



Installation

22. Assemble the duct covers (canopy) with the integral ventilator housing.

! WARNING

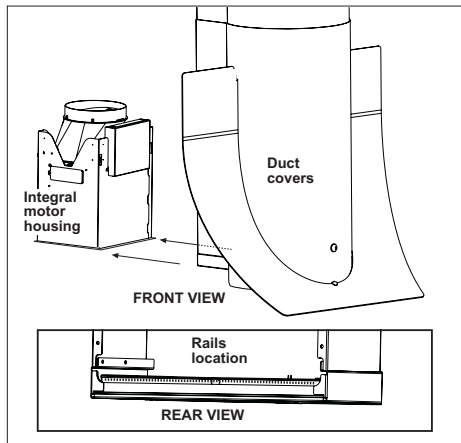
Excessive Weight Hazard

Use two or more people to move and install range hood.

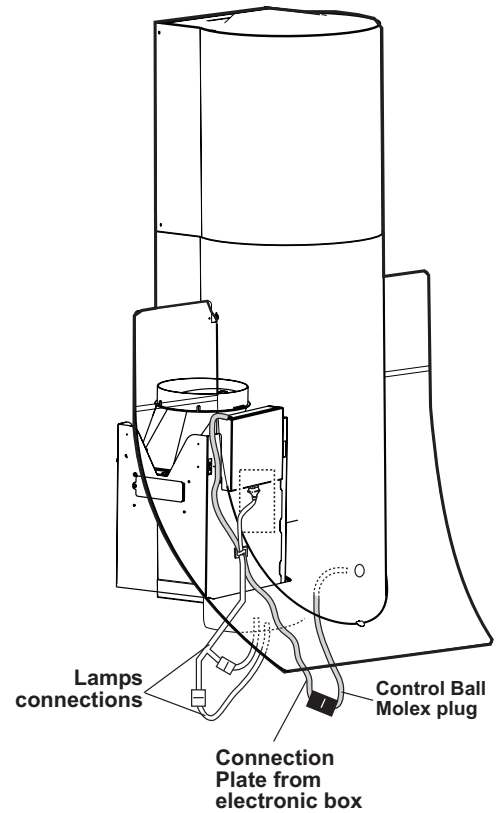
Failure to do so can result in back or other injury.

- a. Partially thread the duct covers onto the integral ventilator housing, so that from the grease filter housing electronic box and cables are accessible.

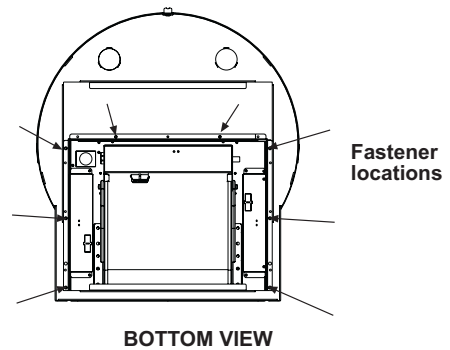
Note: temporarily fix the duct covers to integral ventilator housing with two screws.



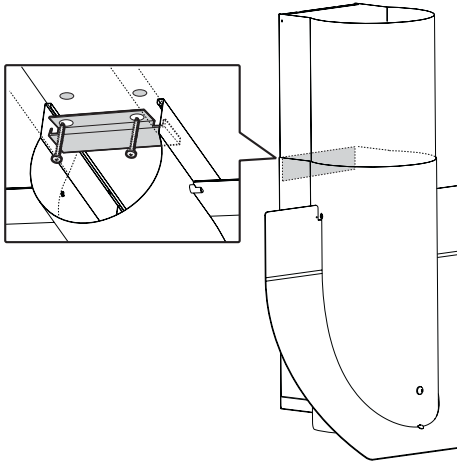
- b. Make all cable connections:



- c. Fold all cables inside and fasten the hood to the motor unit using 8 screws from the bottom (check that cables doesn't interfere with blower unit housing and/or hood canopy).



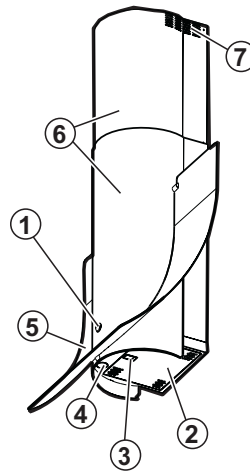
23. Fix the lower duct cover bracket with two screws, so that the bracket blocks the lower duct to the wall.



24. For **Ductless (recirculating) installations**
Install one charcoal filter (available as an extra kit).
25. Install filters.
26. Install upper duct cover to its upper support with 2 screws (1 per side).
Note: Upper Duct Cover may be placed upside down to hide (or unhide) ventless slots.
27. Check all light bulbs to make sure they are secure in their sockets.
Turn power on in service panel.
Check lights and blower operation.
- If range hood does not operate:**
- Check that the circuit breaker is not tripped or the house fuse blown.
 - Disconnect power supply. Check that wiring is correct.

Description of the hood

- 1 Control panel
- 2 Grease filter
- 3 Grease filter release handle
- 4 Halogen lamp (position and nr. of lamps may vary)
- 5 Vapour screen
- 6 Duct cover
- 7 Air outlet (used for Ductless version only)



CONTROLS

Use the high suction speed in cases of concentrated kitchen vapours. It is recommended that the cooker hood suction is switched on for 5 minutes prior to cooking and to leave in operation during cooking and for another 15 minutes approximately after terminating cooking.

Description of control ball and hood operation

The control ball is also a light signal:

- **No signal :**
The hood is switched off.
- **Static green light :**
Hood is switched on at power level 1 (minimum).
- **Static orange light :**
Hood is switched on at power level 2 (medium).
- **Static red light :**
Hood is switched on at power level 3 (maximum).
- **Flashing red light :**
Hood is switched on at intensive power level (timed at 5 minutes)
- **Flashing green light :**
Indicates the grease filter saturation - clean the grease filter
- **Flashing orange light :**
Indicates the charcoal filter saturation - clean or replace the charcoal filter.

Attention!

The control ball flashes orange to indicate the saturation of the charcoal filter even if the hood is used in the extraction mode and no charcoal filter is fitted.

In this case, perform the signal reset operation as follows: select the intensive speed (the control ball lights up with a red flashing light), press again and hold pressed for about 3 seconds until an audible signal indicates the reset has taken place.

Reset filter saturation signal

Green or orange flashing light

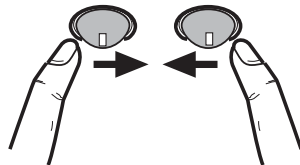
Proceed as follows:

Select the intensive speed (the control ball switches on with flashing red light), depress again and hold for 3 about seconds until the beep sound indicating that reset has occurred.

Switching on the cooker hood

The control ball is a balance wheel switch.

Depressing the control ball towards the right repeatedly switches on the cooker hood and all the suction speed selections up to the intensive suction speed, depressing again towards the right the cooker hood switches off.



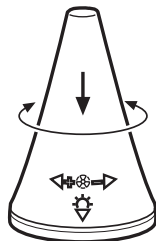
Turning on the light

Depress the control ball towards the left:
once for diffused lighting,
pressing again for full lighting,
pressing again switches the light off.

USING THE REMOTE CONTROL

This device complies with part 15 of the FCC Rules. Operation is subject to the following two conditions:
(1) This device may not cause harmful interference, and (2) this device must accept any interference received, including interference that may cause undesired operation.

The remote control may operate in humid environments, but not when placed on wet surfaces.

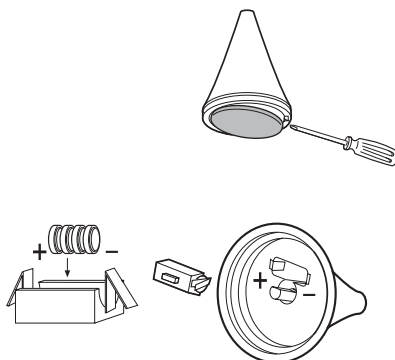


Selecting the Suction Speed position the remote control vertically near the cook top area and rotate clockwise to increase the suction speed, and anticlockwise to decrease the suction speed.

Turning on the Light, press the remote control from the top downwards once for suffused lighting, again for full lighting, and again to turn off the light.

If the cooker hood's Control Ball flashes green-orange-red in sequence then replace the battery.

Remote Control Maintenance:



Clean the remote control using non abrasive detergents.

Follow the instructions below in order to replace the batteries for the remote control :

Using a small screwdriver, raise the cover on the base of the remote control, in order to access the battery compartment.

Remove the battery holder, and replace 4 new batteries type ..394 of 1.5V.

Place the batteries in order in the battery holder (see illustration) taking care to respect the polarities indicated on the base of the upper section of the remote control.

Warning!

If the remote control doesn't work after installation (yet the control ball works correctly), do the following:

1. Place the remote control on the work surface near the hood.
2. Disconnect the hood from the mains.
3. Reconnect the hood to the mains.

Follow this procedure whenever the remote control doesn't work for no apparent reason (e.g.: dead battery).

Prior to any maintenance operation ensure that the cooker hood is disconnected from the power supply.

CLEANING

The cooker hood should be cleaned regularly internally and externally.

For cleaning use the supplied cloth moistened with a neutral liquid detergents. Avoid abrasive detergents.

Warning:

Failure to carry out the basic standards of the cleaning of the cooker hood and replacement of the filters may cause fire risks.

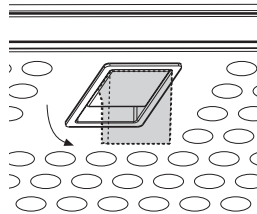
Therefore we recommend observing these instructions.

GREASE FILTER

This must be cleaned once a month using non aggressive detergents, either by hand or in the dish-washer, which must be set to a low temperature and a short cycle.

When washed in a dish-washer, the grease filter may discolour slightly, but this does not affect its filtering capacity.

To remove the grease filter, pull the spring release handle **(a-b)**.

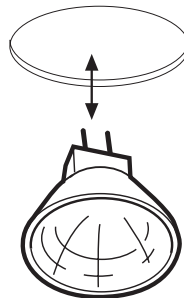


REPLACING THE LIGHT BULB:

WARNING

Disconnect the hood from electricity and be sure the lights are cool.

If new lights do not operate, make sure the light bulb is inserted correctly before calling service.



- Using a flat head screwdriver or equivalent tool, carefully pry loose the lamp so to unthread from the connector.
- Slide out the lightbulb to be replaced and replace with a new 12V 20W 30° Ø35 GU4 bulb type MR11, "suitable for use in open luminarie".

Trouble Shooting

Issue	Cause	What to do
After installation, the unit doesn't work?	1. The power source is not turned ON.	1. Make sure the circuit breaker and the unit's power is ON.
	2. The power line and the cable locking connector is not connecting properly.	2. Check the power connection with the unit is connected properly.
	3. The switch board and control board wirings are disconnected.	3. Make sure the wirings between the switch board and control board are connected properly.
	4. The switch board or control board is defective.	4. Change the switch board or control board.
Light works, but motor is not turning.	1. The motor is defective, possible seized.	1. Change the motor.
	2. The thermally protected system detects if the motor is too hot to operate and shuts the motor down.	2. The motor will function properly after the thermally protected system cool down.
	3. Damaged condenser.	3. Change the condenser.
The unit is vibrating.	1. The motor is not secure in place.	1. Tighten the motor in place.
	2. Damaged blower wheel.	2. Change the blower wheel.
	3. The hood is not secured in place.	3. Check the installation of the hood.
The motor is working, but the lights are not.	1. Defective halogen bulb.	1. Change the halogen bulb.
	2. The light bulb is loose.	2. Tighten the light bulb.
The hood is not venting out properly.	1. The hood might be hanging to high from the cook top.	1. Adjust the distance between the cook top and the bottom of the hood within 24" and 32" range.
	2. The wind from the opened windows or opened doors in the surrounding area are affecting the ventilation of the hood.	2. Close all the windows and doors to eliminate the outside wind flow.
	3. Blocking in the duct opening or ductwork.	3. Remove all the blocking from the duct work or duct opening.
	4. The direction of duct opening is against the wind.	4. Adjust the duct opening direction.
	5. Using the wrong size of ducting.	5. Change the ducting to at least 8" or higher.
Metal filter is vibrating.	1. Metal filter is loose.	1. Change the metal filter.

**TO OBTAIN SERVICE UNDER WARRANTY:
or any Service Related Questions, please call:
1-888-880-8368**

Staple your receipt here.
Proof of the original purchase
date is needed to obtain service
under the warranty.

TO OBTAIN SERVICE UNDER WARRANTY: You must present proof of original purchase date.
Please keep a copy of your dated proof of purchase (sales slip) in order to obtain service under warranty.

One Year Service Repair Warranty:

For one year from date of original purchase, we will provide free of charge, service labor to repair any failed parts or components due to manufacturing defects.

One Year Parts Warranty:

For one year from date of original purchase, we will provide free of charge, nonconsumable replacement parts or components that failed due to manufacturing defects. Consumable parts not covered by this warranty include: Light Bulbs, Metal and Carbon Filters.

Who is Covered:

This warranty is extended to the original purchaser for products purchased for ordinary home use in the 48 mainland states, Hawaii and Washington D.C. In Canada and Alaska, this warranty is Limited. There might be costs associated with shipping the products to our designated service locations or you might need to pay service technician's travel costs, to have the appliance repaired in-home.

This Warranty will be Voided when:

Product damaged through negligence, misuse, abuse, accident. Improper installation and failure to follow installation instructions.

When product is used commercially or other than its intended purpose. Damaged because of improper connection with equipment of other manufacturers. Repaired or modified by anyone other than Zephyr's Authorized Agents.

What is Not Covered:

Consumable parts such as light bulbs, filters, and fuses. Services outside of service area and the labor cost incurred in connection with the removal, shipping and reinstallation cost, nor does it cover any other contingent expenses. The natural wear of finish, and wear due to improper maintenance, use of corrosive and abrasive cleaning products, pads, and oven cleaner products. Chips, dents or cracks due to abuse, misuse, freight damage, or improper installation. Service trips to your home to teach you how to use the product. Damage of product caused by accident, fire, floods or act of God.

This warranty is valid in the United States and Canada. It is non-transferable and applies only to the original purchaser and does not extend to subsequent owners of this product. Any applicable implied warranties, including the warranty of merchantability, are limited in duration to a period of express warranty as provided herein beginning with the date of original purchase at retail and, no warranties, whether express or implied, shall apply to this product thereafter.

Have your product proof of purchase with date ready for warranty issues.
Or write to:

**Zephyr Corporation
Service and Warranty Department
395 Mendell Street
San Francisco, CA 94124**

List of Parts and Accessories

Part Description	Part#
halogen bulb, 12V 20 W	Z0B-0009
metal filter	GF02IA
remote control (RF)	2009C

Part Description	Part#
Ductless conversion kit	ZRC-00CS
charcoal replacement filter	Z0F-C060
duct cover extension kit	-
internal blower - 600 cfm	EBI-600A
in-line blower - 1100 cfm	EBN-1100A

Exploded View Diagram

Part Numbers