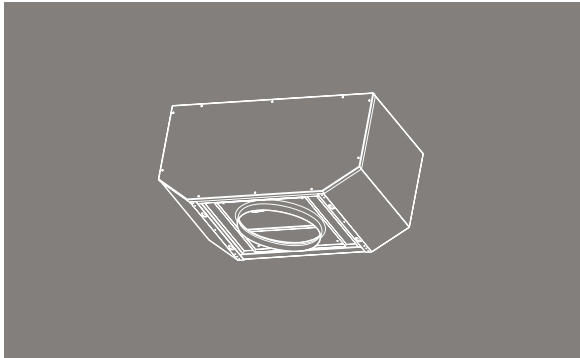


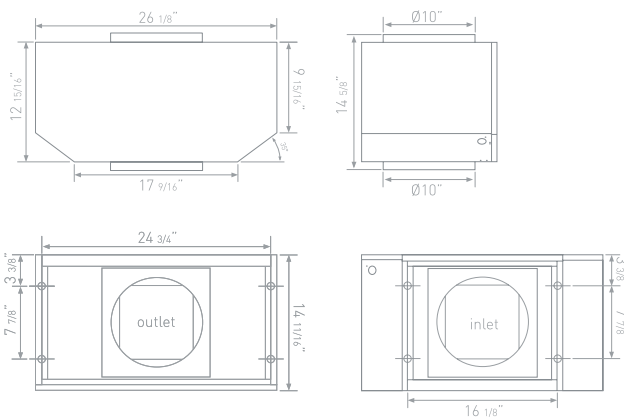
ELICA COLLECTION

INLINE BLOWER

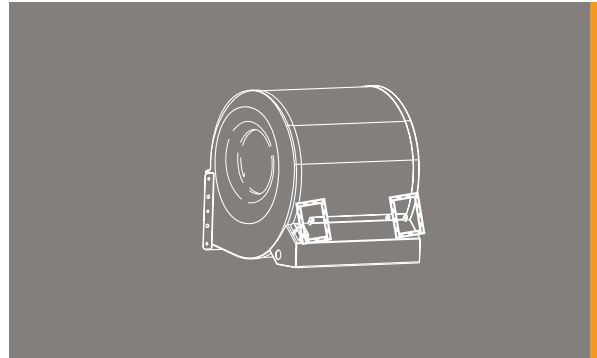


EBN-1100A

PERFORMANCE	1100 CFM
MAX SONES	N/A
DUCTING	*10" Round
ELECTRICAL 120V	7.5 amps, 900w
PASSIVE SILENCER	N/A
**HOOD COMPATIBILITY	Atlantis Wall Atlantis Island Optica Wall Optica Island Bogart Samurai

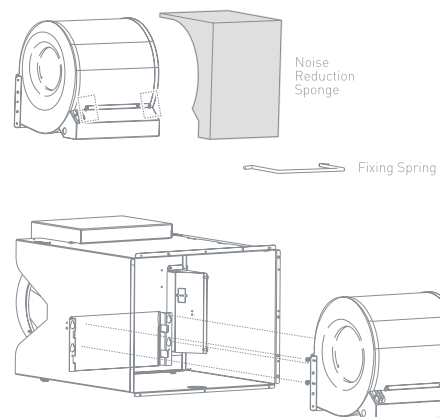


INTERNAL BLOWER



EBI-600A

PERFORMANCE	600 CFM
MAX SONES	9
DUCTING	8" Round
ELECTRICAL 120V	3.75 amps, 450w
PASSIVE SILENCER	Yes
**HOOD COMPATIBILITY	Atlantis Wall Atlantis Island Optica Wall Optica Island Bogart Samurai



*10" to 8" reducer must be used (provided) before connecting duct to hood.

** Elica hoods not in the list are pre-assembled with internal blowers only.