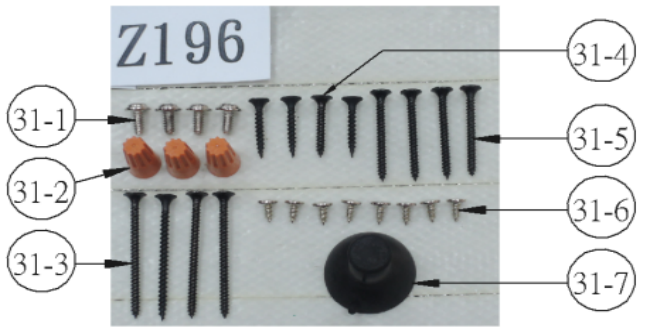
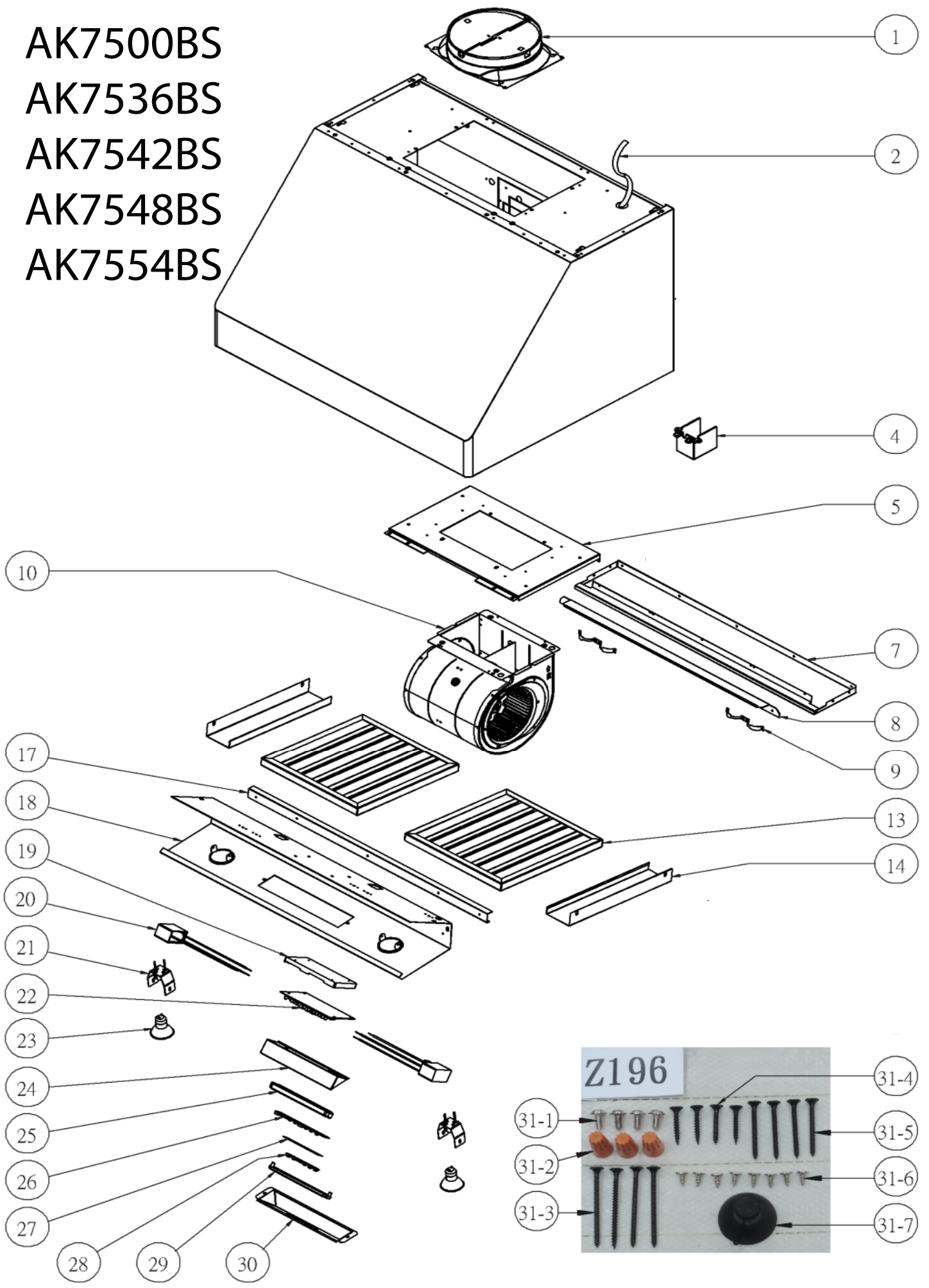


AK7500BS  
 AK7536BS  
 AK7542BS  
 AK7548BS  
 AK7554BS





# Tempest II

AK7500BS, AK7536BS, AK7542BS, AK7548BS, AK7554BS

Ref #	Part #	Description	Qty.
1	54050078	Collar w/Damper, 8" Round	1
2	11030071	Wiring, Electrical	1
4	54200011	Box, Junction	1
5	54190041	Plate, Single Internal Blower	1
7	50120071	Panel, Rear (30")	1
7	50120072	Panel, Rear (36")	1
7	50120091	Panel, Rear (42")	1
7	50120073	Panel, Rear (48")	1
7	50120112	Panel, Rear (54")	1
8	54140167	Bracket, Filter, Rear (30")	1
8	54140140	Bracket, Filter, Rear (36")	1
8	54140195	Bracket, Filter, Rear (42")	1
8	54140168	Bracket, Filter, Rear (48")	1
8	54140215	Bracket, Filter, Rear (54")	1
9	54140029	Filter Spring Clip (36" & 42" x 3) (48" & 54" x 4)	2
10	12120070	Blower	1
13	50210015	Baffle Filter (30" x 2) (36" & 42" x 3)	2
13	50210021	Baffle Filter (48" & 54")	4
14	50120074	Panel, Side (30")	2
14	50120092	Panel, Side (42" & 54")	2
16	11000086	Switch Assembly	1
17	54140169	Bracket, Filter, Front (30")	1
17	54140142	Bracket, Filter, Front (36")	1
17	54140196	Bracket, Filter, Front (42")	1
17	54140143	Bracket, Filter, Front (48")	1
17	54140216	Bracket, Filter, Front (54")	1
18	50110135	Panel, Light (30")	1
18	50110136	Panel, Light (36")	1
18	50110161	Panel, Light (42")	1
18	50110137	Panel, Light (48")	1
18	50110201	Panel, Light (54")	1

19	56200009	Bracket, Control Board	1
20	12050028	Capacitor	2
21	50500145	Light Socket Assembly (48" & 54" x 4)	2
22	11010064	Control Board	1
23	Z0B-0023	Bulb, Halogen, GU-10, 35W (48" & 54" x 4)	2
24	54140148	Bracket, Switch Assembly	1
25	52170033	Housing, Switch	1
26	11010035	Switch Board	1
27	52110015	Membrane, Switch	1
28	50400009	Button, Switch	1
29	56210049	Cover, Switch	1
30	52170061	Cover, Switch Assembly	1
31	05000096	Hardware Packet	1
31-1	01650001	Screw, 3/16 x 3/8	4
31-2	15000002	Wire Nuts	3
31-3	01090003	Screw, M6 x 2"	4
31-4	01090001	Screw, M6 x 1"	4
31-5	01090002	Screw, M6 x 1 1/2"	4
31-6	01060004	Screw, M4 x 8mm	8
31-7	15000004	Suction Cup	1

APR17.0301