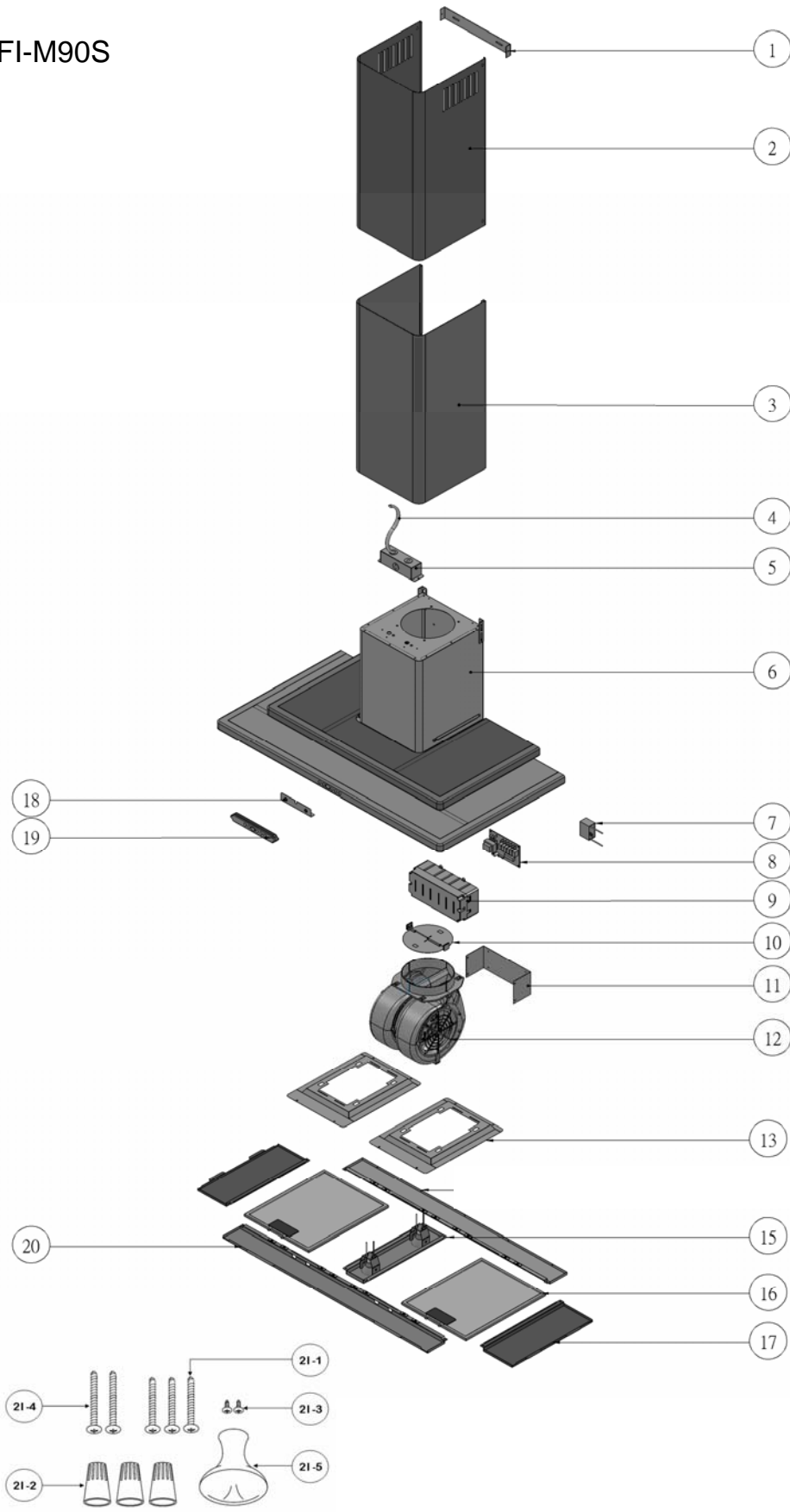


ZFI-M90S



Ref #	Part #	Description	Qty.
1	54110050	Bracket, Duct Cover	1
2	50050087	Duct Cover, Upper	1
3	50050088	Duct Cover, Lower	1
4	11030020	Wires, Electrical	1
5	50500043	Assembly, Electrical Box	1
7	12050021	Capacitor	1
8	11010034	Control Board	1
8-1	12170004	Fuse, 8A, 250V	1
9	50500044	Assembly, Junction Box	1
10	54060007	Damper	1
11	54140051	Bracket, Motor	1
12	12120043	Motor	1
13	54140063	Bracket, Charcoal Filter	2
15	50500075	Assembly, Light Panel	1
15-1	Z0B-0020	Halogen Bulb, GU-10, 50W	2
15-2	12100041	Socket, Light	2
16	50200011	Filter, Metal Mesh	2
17	50120037	Panel, Side	2
18	54140072	Bracket, Switch	1
19	11000053	Assembly, Switch	1
20	50120038	Panel, Front	1
21	05000060	Hardware Packet	1
21-1	01090001	Screw, M6 x 1"	3
21-2	15000002	Wire Nuts	3
21-3	01070006	Screw, M4 x 8mm	2
21-4	01070015	Screw, M4 x 1 1/4"	2
21-5	15000004	Suction Cup	1