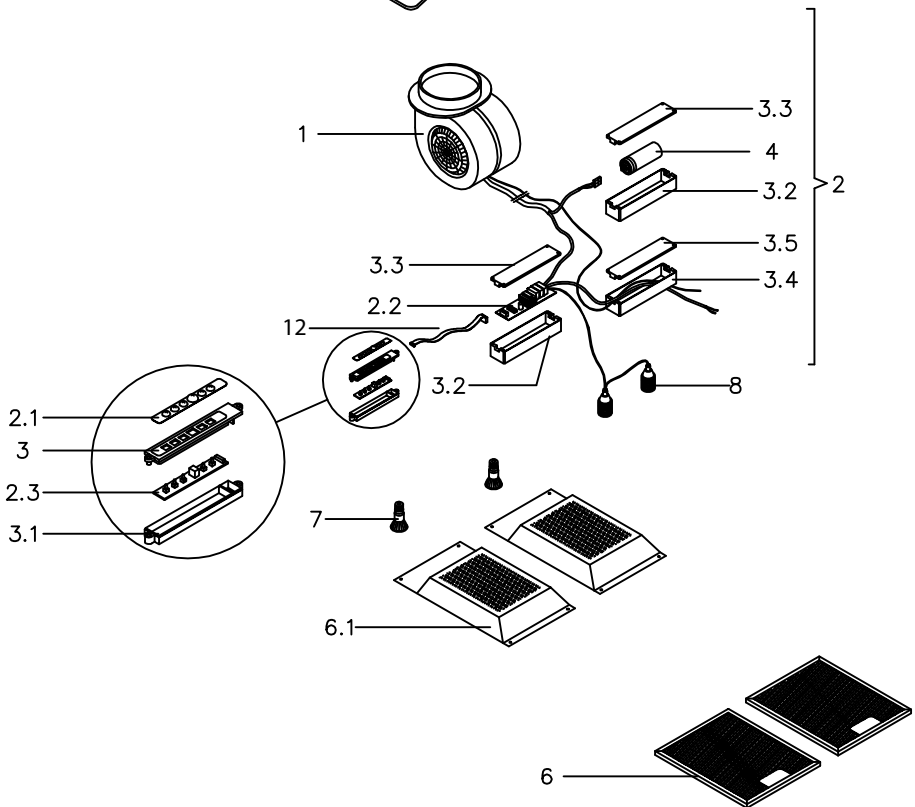
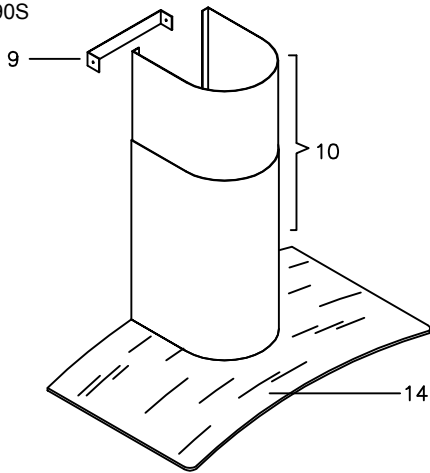


Milano Wall
K81.Z.902.301_ZMI-M90G
K81.Z.902.302_ZMI-M90S





Milano Wall

ZMI-M90G, ZMI-M90S

Ref #	Part #	Description
1	12120001	Motor
2	12130009	Motor Assembly Kit
2.1	52050008	Membrane
2.2	11010009	Control Module
2.3	11010018	LED/Switch Board
3	56210010	LED/Switch Board Cover
3.1	56200032	LED/Switch Board Box
3.2	56200003	Component Box
3.3	56210009	Component Box Cover
3.4	56200005	Electrical Box
3.5	56210013	Electrical Box Cover
4	12050005	Capacitor
6	50200003	Filter, Metallic
6.1	54170006	Diffuser Panel
7	Z0B-0011	Light Bulb, JDR-E27, 50W
8	12100012	Light Socket
9	05000030	Hardware Packet w/Bracket
10	50050024	Duct Covers, Replacement
12	11030007	Cable, Interconnect
14	50300014	Canopy, Glass
14	50300015	Canopy, Stainless Steel
15	54150010	Z Clip, Canopy (new)
15	54150003	Z Clip, Canopy (old)