

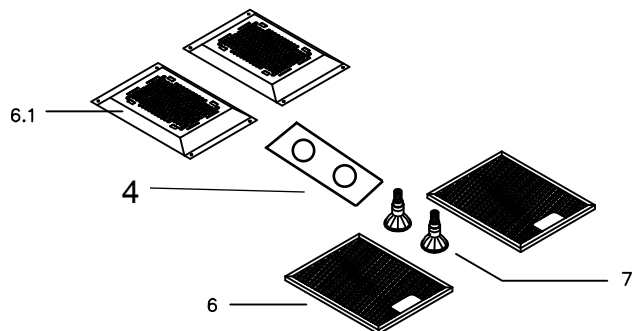
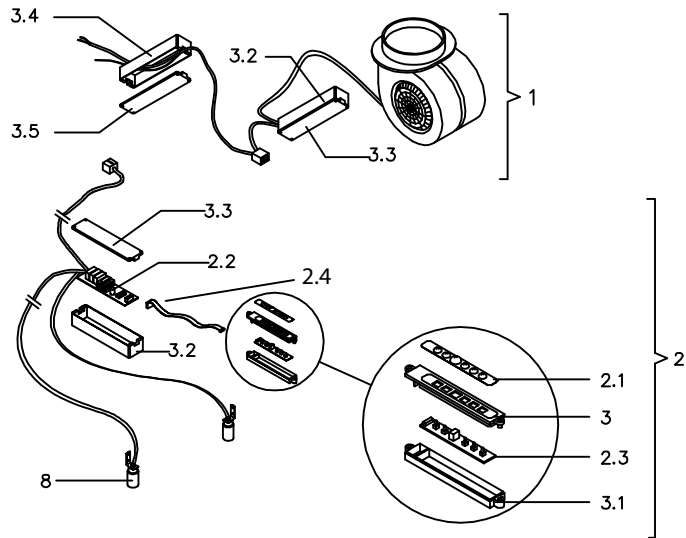
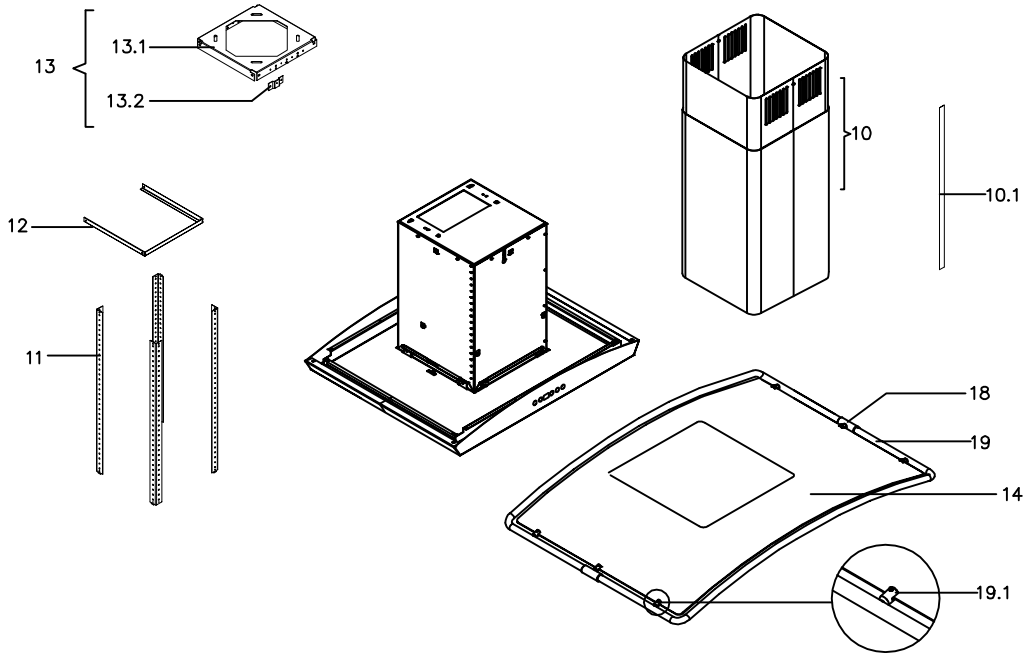
# Milano Island

9K71092001\_ZML-M90S

9K71092002\_ZML-M90G

9K71422002\_ZML-E42S

9K71422001\_ZML-E42G



**ZML-M90G/S, ZML-E42G/S**

Ref #	Part #	Description
1	12130001	Motor Kit
1.2	12120002	Motor
2	11000001	Electronics Assembly
2.1	52050008	Membrane
2.2	11010009	Control Module
2.3	11010018	LED/Switch Board
2.4	11030007	Cable Interconnect
3	56210010	LED/Switch Board Cover
3.1	56200032	LED/Switch Board Box
3.2	56200003	Component Box
3.3	56210009	Component Box Cover
3.4	56200005	Electrical Box
3.5	56210013	Electrical Box Cover
4	50110001	Panel, Light
6	50200001	Filter, Metal Mesh
6.1	54170001	Diffuser Panel (prior to July 2005)
6.1	54170002	Diffuser Panel (serial number ending in AGL or later)
7	Z0B-0011	Light Bulb, JDR-E27, 50W
8	12100012	Light Socket
10	50050019	Duct Covers, Replacement
10.1	15000003	Duct Cover Binding Tape
11	54120002	Angle Brackets (4 total)
12	54130001	U Bracket
13	54100001	Ceiling Bracket Assembly
13.1	54100004	Ceiling Bracket
13.2	54140009	Ceiling Bracket Metal Tab
14	50300002	Canopy, 90cm, Stainless Steel
14	50300033	Canopy, 90cm, Glass
14	50300001	Canopy, 42", Stainless Steel
14	50300003	Canopy, 42", Glass
18	56240002	Canopy Trim Spacer (stainless canopy only)
19	50170015	Canopy Trim (stainless canopy only)
19.1	50170014	Canopy Trim Holder (stainless canopy only)
	05000004	Hardware Packet