

Pyramid

K11.Z.762.302_ZPY-E30S

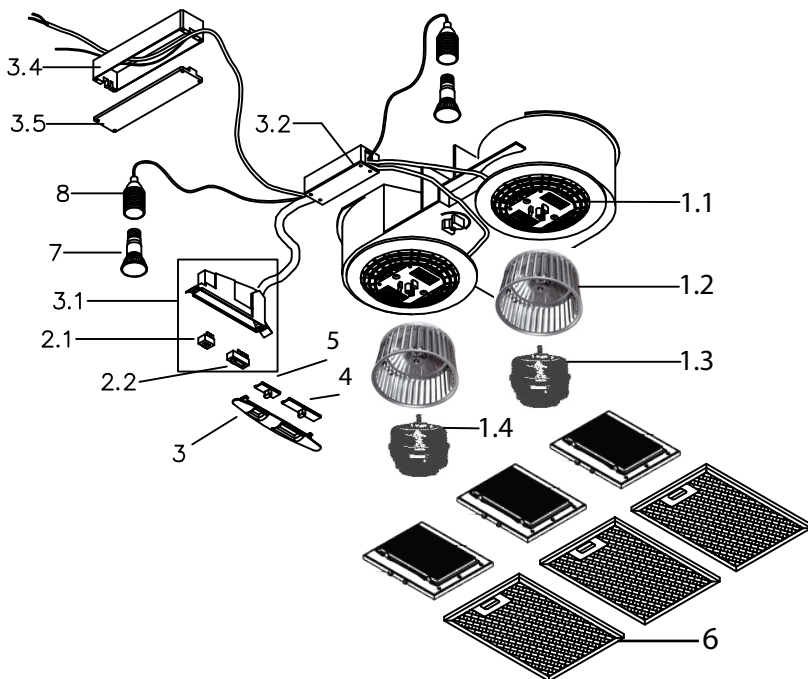
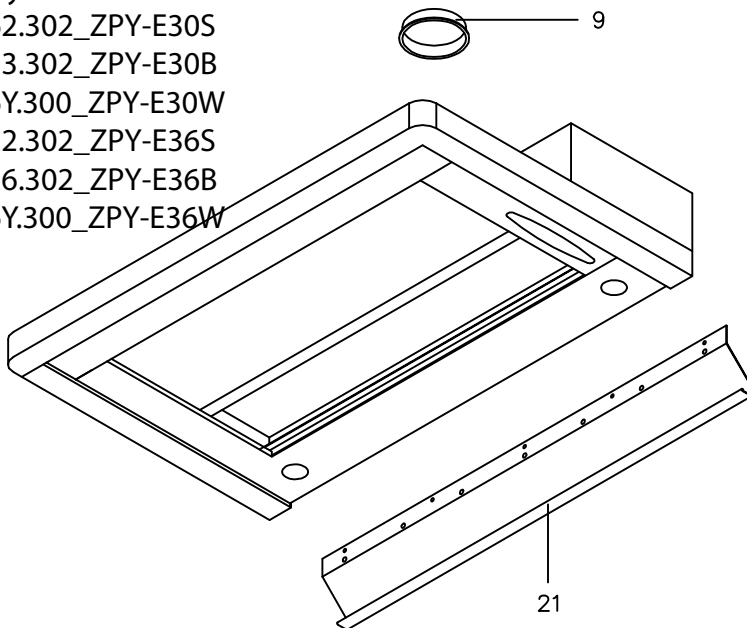
K11.Z.733.302_ZPY-E30B

K11.Z.76Y.300_ZPY-E30W

K11.Z.922.302_ZPY-E36S

K11.Z.926.302_ZPY-E36B

K11.Z.96Y.300_ZPY-E36W



rev: 1004

ZEPHYR

Pyramid

ZPY-E30 S,B,W ZPY-E36 S,B,W (Pre 2006 Models)

Ref #	Part #	Description
1.1	56120002	Basket
1.2	56110002	Blower Wheel
1.3	12120009	Motor, Right
1.4	12120010	Motor, Left
2.1	11040002	Switch, Light
2.2	11040003	Switch, Motor
3	52170015	Switch Cover Plate
3.1	11000006	Switch Assembly
3.2	56200004	Component Box and Cover
3.4	56200003	Electrical Box
3.5	56210009	Electrical Box Cover
4	52170064	Motor Switch Cover
5	52170065	Light Switch Cover
6	50200011	Filter, Metallic
7	Z0B-0011	Light Bulb, JDR-E27 50W
8	12100012	Light Socket
9	05000028	Starting Collar With Damper W/Hardware Package
21	50320007	Utensil Bar, 30", Stainless Steel
21	50320008	Utensil Bar, 30", Black
21	50320009	Utensil Bar, 30", White
21	50320011	Utensil Bar, 36", Black
21	50320010	Utensil Bar, 36", Stainless Steel
21	50320012	Utensil Bar, 36", White

FEB15.0201