

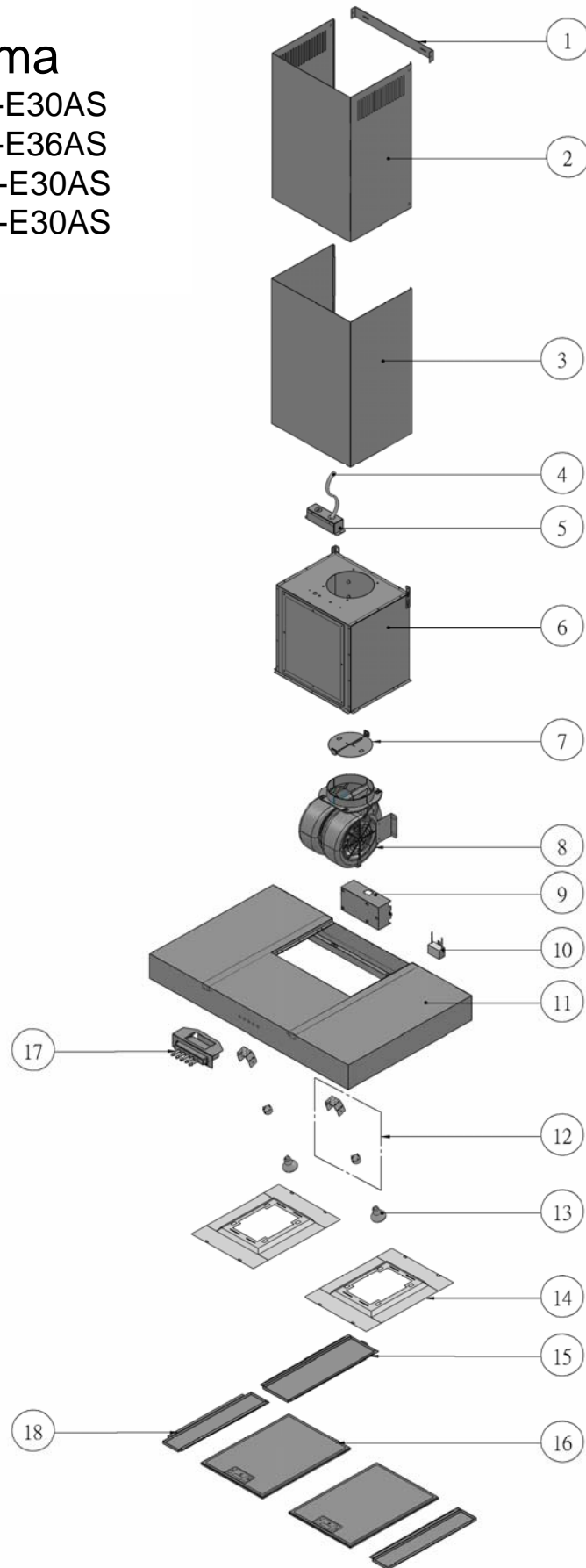
Roma

ZRA-E30AS

ZRA-E36AS

ZRO-E30AS

ZRO-E30AS



| Ref # | Part # | Description | Qty. |
|--------------|---------------|----------------------------|-------------|
| 1 | 54110062 | Bracket, Duct Cover | 1 |
| 2 | 50050085 | Duct Cover, Upper | 1 |
| 3 | 50050086 | Duct Cover, Lower | 1 |
| 4 | 11030020 | Wires, Electrical | 1 |
| 5 | 50500043 | Assembly, Junction Box | 1 |
| 6 | 54140071 | Bracket, Motor | 1 |
| 7 | 54060007 | Damper, 6" Round | 1 |
| 8 | 12120060 | Motor, 600 CFM, ZRO | 1 |
| 8 | 12120059 | Motor, 290 CFM, ZRA | 1 |
| 9 | 56200065 | Box, Electrical | 1 |
| 10 | 12050015 | Capacitor, ZRO | 1 |
| 10 | 12050012 | Capacitor, ZRA | 1 |
| 12 | 12100044 | Socket, Light w/Bracket | 2 |
| 13 | ZOB-0020 | Halogen Bulb, GU-10, 50W | 2 |
| 14 | 54140070 | Bracket, Charcoal Filter | 2 |
| 15 | 50110079 | Panel, Center | 1 |
| 16 | 50200038 | Filter, Metal Mesh | 2 |
| 17 | 11000052 | Assembly, Switch | 1 |
| 18 | 50110080 | Panel, Side, ZRA/ZRO-E36AS | 2 |
| 19 | 05000064 | Hardware Packet | 1 |
| 19-1 | 01020011 | Screw, 3/16 x 1/4" | 4 |
| 19-2 | 01090001 | Screw, M6 x 1" | 2 |
| 19-3 | 01090002 | Screw, M6 x 1 1/2" | 3 |
| 19-4 | 15000002 | Wire Nut | 3 |
| 19-5 | 02170001 | Washer 1/4 ID, 1/2 OD | 1 |
| 19-6 | 01060004 | Screw, M3 x 8mm | 4 |
| 19-7 | 15000004 | Suction Cup | 1 |