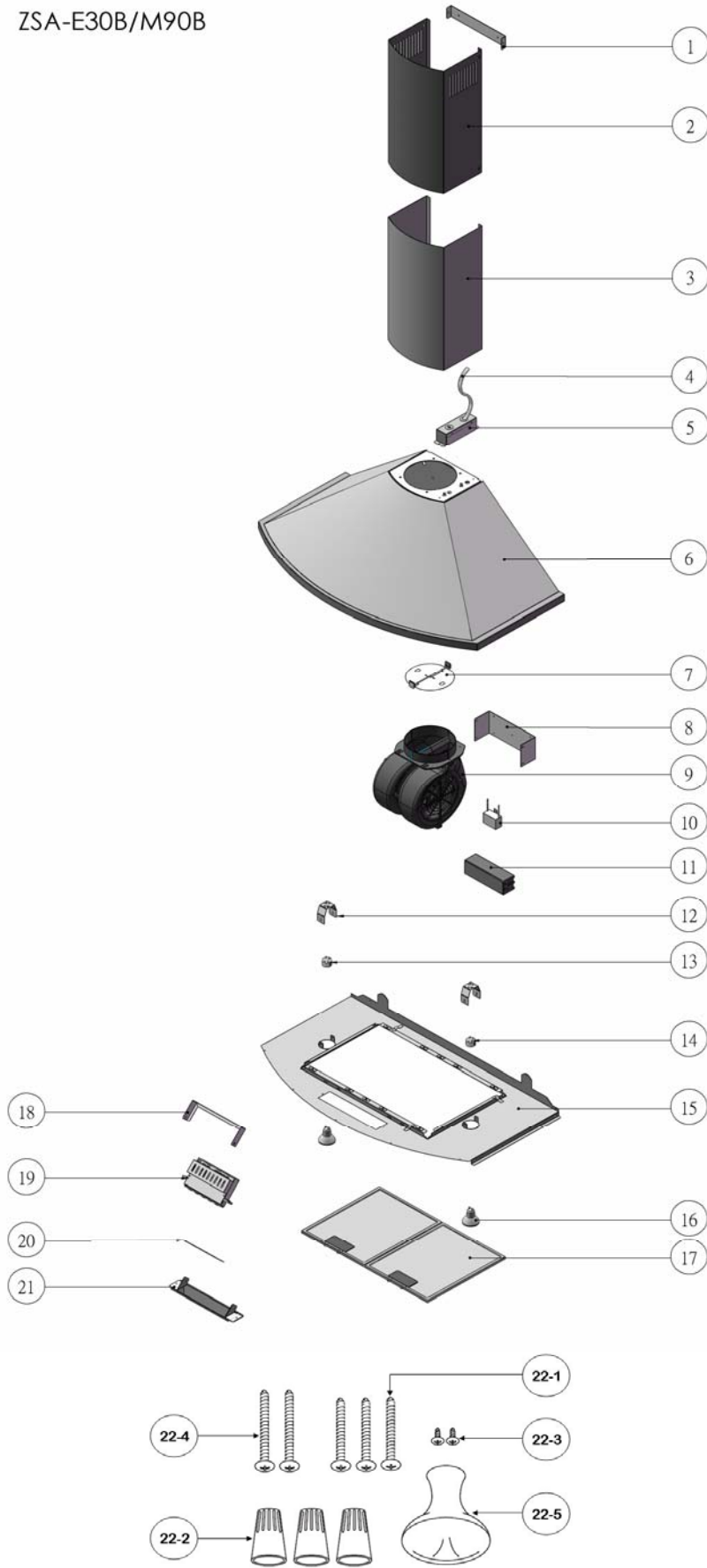


ZSA-E30B/M90B





Savona

ZSA-E30B(B,S)/290, ZSA-M90B(B,S)/290

sB

Ref #	Part #	Description	Qty.
1	54110051	Bracket, Duct Cover	1
2	50050059	Duct Cover, Upper, Stainless	1
2	50050060	Duct Cover, Upper, Black	1
3	50050061	Duct Cover, Lower, Stainless	1
3	50050062	Duct Cover, Lower, Black	1
4	11030020	Power Cord	1
5	50500043	Junction Box Assembly	1
7	54060007	Damper	1
8	54140065	Bracket, Motor	1
9	12120043	Motor w/Wires 685 CFM	1
9	12120053	Motor w/Wires 290 CFM	1
10	12050015	Capacitor 685 CFM	1
10	12050012	Capacitor 290 CFM	1
11	50500046	Electrical Box Assembly	1
12	54140050	Bracket, Light Socket	2
13	12100042	Light Socket, Left	1
14	12100043	Light Socket, Right	1
16	Z0B-0020S	Halogen Light Bulb, GU-10 50w	2
17	50200011	Filter, Metal Mesh	2
18	54140080	Bracket, Switch	1
19	11000058	Switch Assembly	1
20	56240013	Spacer, Switch	1
21	52170039	Housing, Switch, Stainless	1
21	52170040	Housing, Switch, Black	1
22	05000060	Hardware Packet	1
22-1	01090001	Screw, M6 x 1"	3
22-2	00100013	Wire Nut	3
22-3	01070006	Screw, M4 x 8mm	2
22-4	01070015	Screw, M4 x 1 1/4"	2
22-5	15000004	Suction Cup	1

JAN10.0101