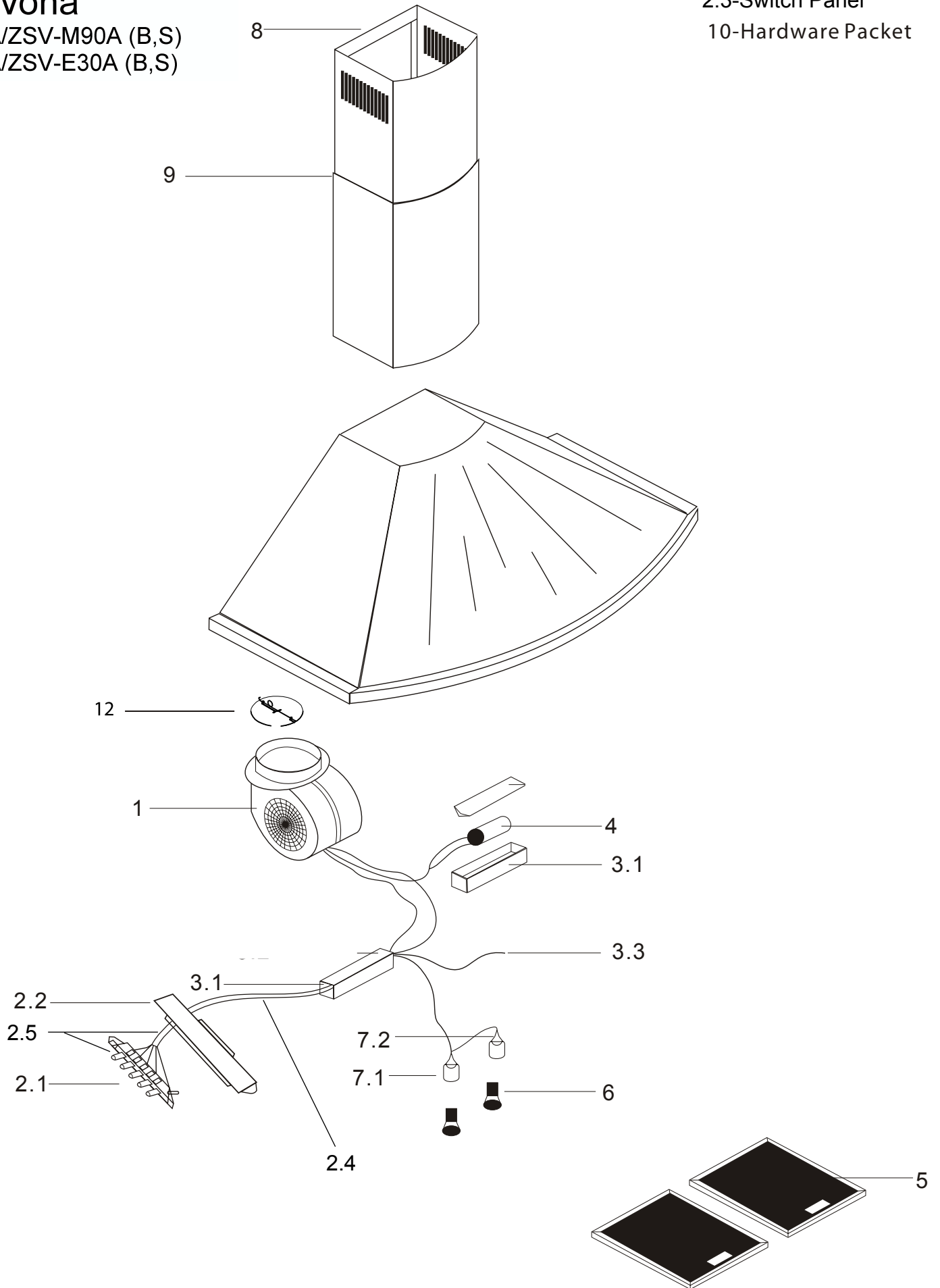


Savona

ZSA/ZSV-M90A (B,S)
ZSA/ZSV-E30A (B,S)

2.3-Switch Panel
10-Hardware Packet





Savona

ZSA/ZSV-M90A (B,S), ZSA/ZSV-E30A (B,S)

Ref #	Part #	Description	Qty.
1	12120013	Motor w/Wires 685 cfm (ZSA)	1
1	12120052	Motor w/Wires 290cfm (ZSV)	1
2.1	11000011	Switch Assembly	1
2.2	56200018	Switch Housing	1
2.3	50100019	Switch Panel	1
2.4	11030044	Switch Cable	1
2.5	11000031	Switch Assembly w/Cable	1
3.1	56210023	Protective Box w/ Cover	2
3.3	00100002	Strain Relief Bushing	1
4	12050008	Capacitor (ZSA)	1
4	12050018	Capacitor (ZSV)	1
5	50200011	Metallic Filter	2
6	Z0B0020S	Halogen Light Bulb, GU-10 50W 120V	2
7.1	12100013	Light Socket w/ wire, GU-10, Left	1
7.2	12100015	Light Socket w/ wire, GU-10, Right	1
8	54110008	Wall Bracket, Duct Covers	1
9	50050040	Duct Cover Set, Stainless	1
9	50050046	Duct Cover Set, Black	1
10	05000024	Hardware Packet w/Bracket	1
12	54060001	Damper, Butterfly	1

MAY08.0201