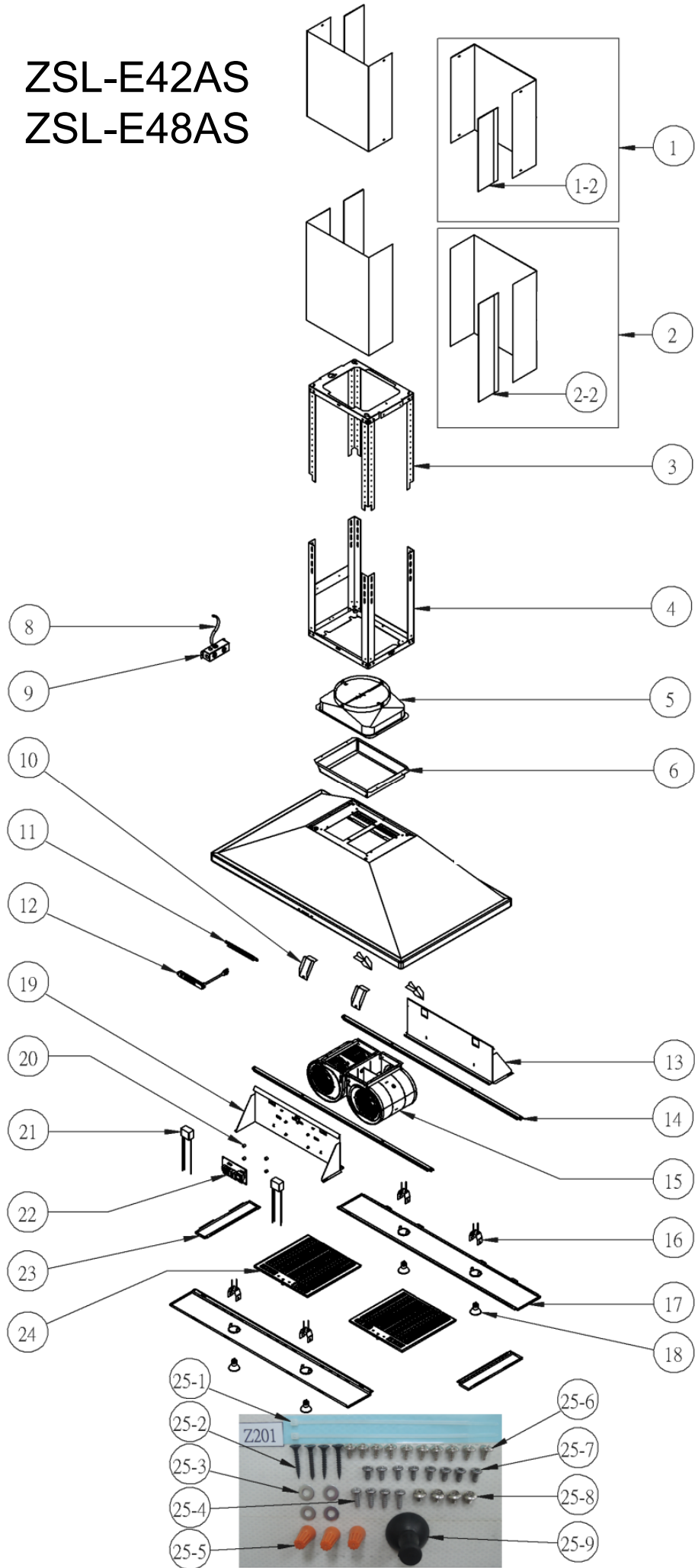


ZSL-E42AS ZSL-E48AS





Siena Pro Island

ZSL-E42AS, ZSL-E48AS

Ref #	Part #	Description	Qty.
1	50050160	Duct Cover, Upper	2
1-2	54220005	Magnet, Upper Duct Cover	2
2	50050161	Duct Cover, Lower	2
2-2	54220006	Magnet, Lower Duct Cover	2
3	54110098	Support Frame, Upper (SN10)	1
3	54110100	Support Frame, Upper (>=SN11)	1
4	54110099	Support Frame, Lower (SN10)	1
4	54110101	Support Frame, Lower (>=SN11)	1
5	54050081	Collar, 10" Round	1
6	54050082	Adaptor, 10" Collar	1
8	11030081	Electrical Wires (SN10)	1
8	11030103	Electrical Wires (>=SN11)	1
9	56200080	Junction Box (>=SN11)	1
10	52110021	Cover, Power Cord	4
11	54140154	Bracket, Switch	1
12	11000084	Switch Assembly	1
13	52110022	Cover, Rear Internal	1
14	54140186	Support Bar (ZSL-E42AS)	2
14	54140187	Support Bar (ZSL-E48AS)	2
15	12120075	Motor	2
16	50500140	Light Socket Assembly	4
17	50110155	Panel, Light (ZSL-E42AS)	2
17	50110156	Panel, Light (ZSL-E48AS)	2
18	ZOB-0020	Bulb, Halogen, GU-10, 50W	4
19	52110023	Cover, Front Internal	1

20	56240022	Spacer	4
21	12050028	Capacitor	2
22	11010060	Control Board	1
23	50120086	Panel, Side (ZSL-E42AS)	2
23	50120068	Panel, Side (ZSL-E48AS)	2
24	50200050	Filter, Baffle (ZSL-E48AS x 3)	2
25	05000111	Hardware Packet	1
25-1	56170001	Zip Tie	2
25-2	01090001	Screw, M6 x 1"	4
25-3	02170001	Washer	4
25-4	01070021	Screw, M4 x 12	4
25-5	15000002	Wire Nut	3
25-6	01070022	Screw, M4 x 8	10
25-7	01070010	Screw, M4 x 8	8
25-8	01020011	Screw, 3/16 x 1/4	4
25-9	15000004	Suction Cup	1

FEB16.0301