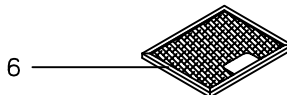
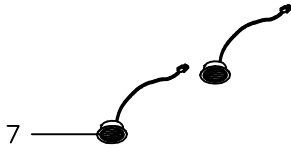
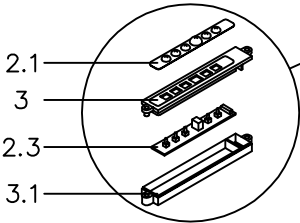
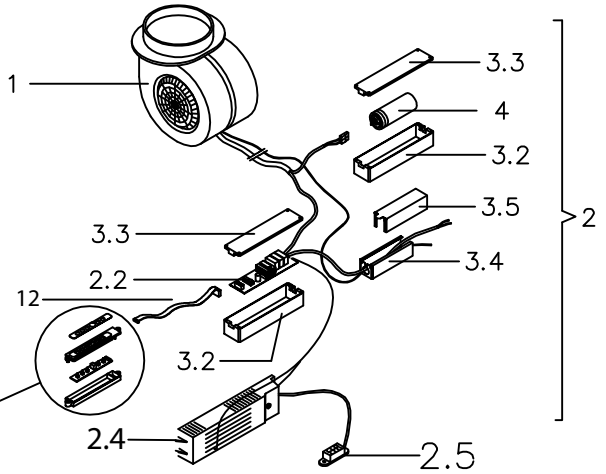
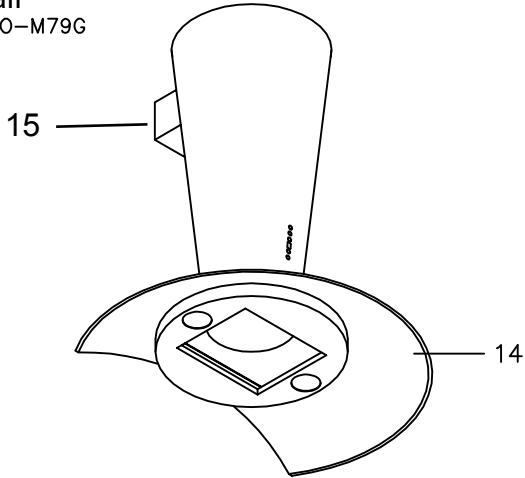


Torino Wall

K89.Z.902.302_ZTO-M79G





Torino Wall

ZTO-M79G

Ref #	Part #	Description
1	12120006	Motor
2	12130010	Motor Assembly Kit
2.1	52050009	Membrane
2.2	11010009	Control Module
2.3	11010019	LED/Switch Board
2.4	12110004	Transformer 'OLD'
2.4	12110012	Transformer 'New'
2.5	11030018	Quick Connect 'OLD'
3	56210010	LED/Switch Board Cover
3.1	56200032	LED/Switch Board Box
3.2	56200003	Component Box
3.3	56210009	Component Box Cover
3.4	56200006	Electrical Box
3.5	56210014	Electrical Box Cover
4	12050006	Capacitor
6	50200009	Filter, Metallic
7	Z0B-0013	Light Bulb, 12V 20W
12	11030007	Cable Interconnect
14	50300016	Canopy, Glass, Frosted
14	ZTI-M79A	Canopy, Glass, Blue
14	ZTI-M79G	Canopy, Glass, Yellow
14	ZTI-M79R	Canopy, Glass, Red
14	ZTI-M79V	Canopy, Glass, Green
15	54110047	Bracket, Wall