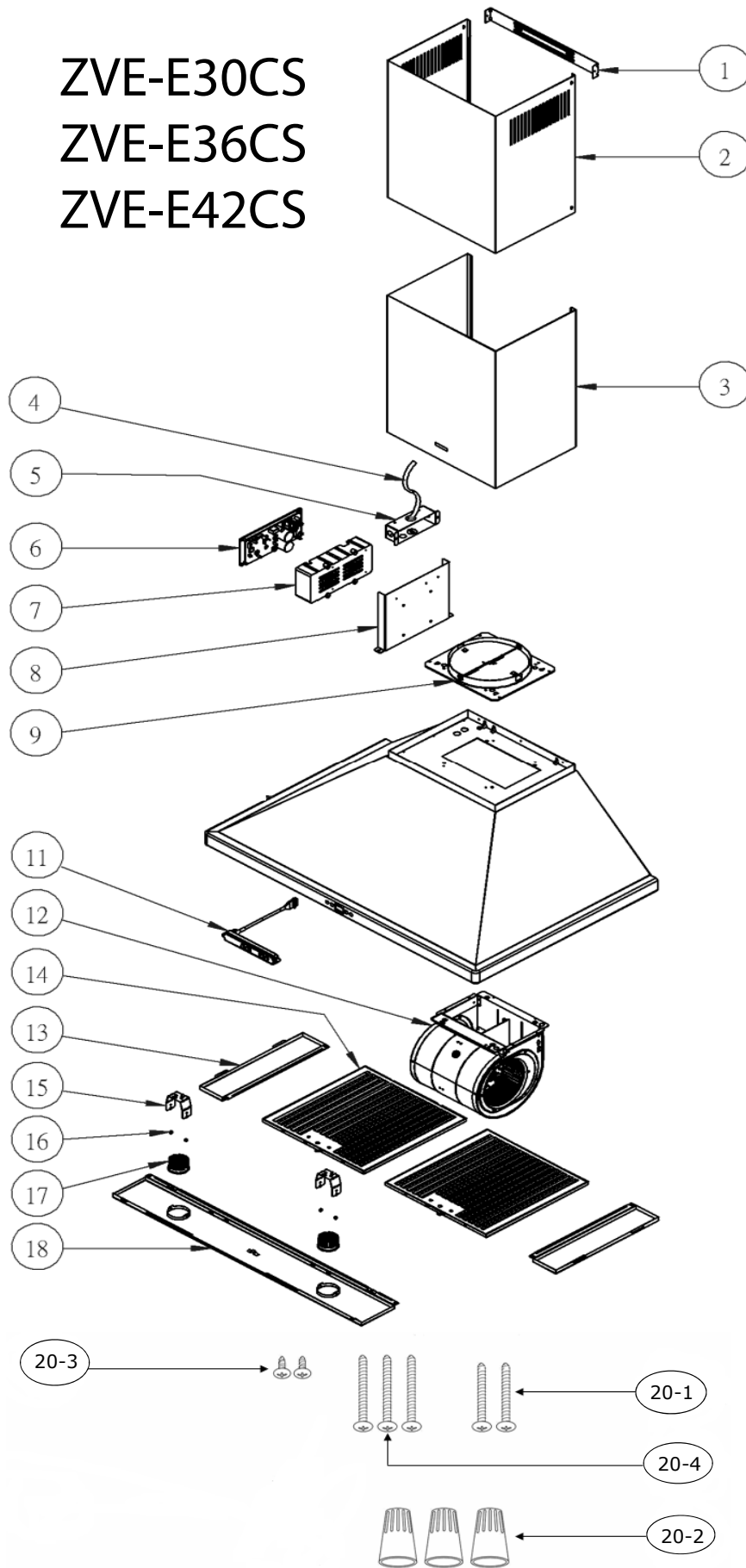


ZVE-E30CS
ZVE-E36CS
ZVE-E42CS



ZEPHYR

Venezia

ZVE-E30CS, ZVE-E36CS, ZVE-E42CS

Ref #	Part #	Description	Qty.
1	54110044	Bracket, Duct Cover	1
2	50050131	Duct Cover, Upper	1
3	50050132	Duct Cover, Lower	1
4	11030070	Wiring, Electrical	1
5	50500085	Box, Electrical	1
6	11010051	Control Board	1
7	54200019	Box, Component	1
8	54140120	Plate, Component	1
9	54050080	Collar, 8" round w/damper	1
11	11000064	Switch Assembly	1
12	12120064	Motor	1
13	50120082	Panel, Side (ZVE-E36CS)	2
13	50120083	Panel, Side (ZVE-E42CS)	2
14	50210023	Baffle Filter	2
15	54140182	Bracket, Light	2
16	56240023	Spacer, Rubber	4
17	Z0B0034	Bulb, Bloom LED, 6W	2
18	50110146	Panel, Light (ZVE-E30CS)	1
18	50110147	Panel, Light (ZVE-E36CS)	1
18	50110148	Panel, Light (ZVE-E42CS)	1
20	05000081	Hardware Packet	1
20-1	01090001	Screw, M6 x 1"	2
20-2	15000002	Wire Nut	3
20-3	01070006	Screw, M4 x 8mm	2
20-4	01070015	Screw, M6 x 1 1/4"	3

FEB15.0101