

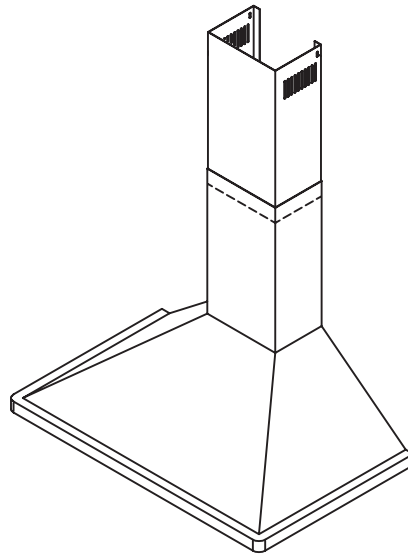
Use, Care, and Installation Guide

Venezia

ZVE-E30S

ZVE-E36S

ZVE-E42S



Model number: _____

Serial number: _____

SAFETY NOTICE 2
LIST OF MATERIALS 3

INSTALLATION

- Ducting Calculation Sheet 4
- Mounting Height and Clearance 5
- Ducting 6
- Specifications 7
- Mounting the Hood and Duct Cover..... 8
- Ductless Recirculating 9

FEATURES & CONTROLS

- Touch Controls & Features 10
- Charcoal Filter Change Indicator 11
- Metal Filter Clean Indicator 12

MAINTENANCE

- Cleaning 13
- Lights 14

TROUBLE SHOOTING 15

LIST OF ACCESSORIES/PARTS 16

Important safety Notice

WARNING

TO REDUCE THE RISK OF FIRE OR ELECTRIC SHOCK, DO NOT USE THIS FAN WITH ANY SOLID-STATE SPEED CONTROL DEVICE.

WARNING

TO REDUCE THE RISK OF FIRE, ELECTRIC SHOCK, OR INJURY TO PERSONS, OBSERVE THE FOLLOWING:

- a. Use this unit only in the manner intended by the manufacturer. If you have questions, contact the manufacturer.
- b. Before servicing or cleaning unit, switch power off at service panel and lock the service disconnecting means to prevent power from being switched on accidentally.
When the service disconnecting means cannot be locked, securely fasten a prominent warning device, such as tag, to the service panel.

CAUTION

For General Ventilating Use Only. Do not Use to Exhaust Hazardous or Explosive Materials and Vapors. Take care when using cleaning agents or detergents. Suitable for use in household cooking area.

WARNING

TO REDUCE THE RISK OF A RANGE TOP GREASE FIRE:

- a. Never leave surface units unattended at high settings. Boilovers cause smoking and greasy spillovers that may ignite. Heat oils slowly on low or medium settings.
- b. Always turn hood ON when cooking at high heat or when cooking flambeing food (i.e. Crepes Suzette, Cherries Jubilee, Peppercorn Beef Flambe)
- c. Clean ventilating fans frequently Grease should not be allowed to accumulate on fan or filter.
- d. Use proper pan size. Always use cookware appropriate for the size of the surface element.

WARNING

TO REDUCE THE RISK OF INJURY TO PERSONS IN THE EVENT OF A RANGE TOP GREASE FIRE, OBSERVE THE FOLLOWING:

- a. SMOTHER FLAMES with a close-fitting lid, cookie sheet, or metal tray, then turn off the burner. BE CAREFUL TO PREVENT BURNS. If the flames do not go out immediately, EVACUATE AND CALL THE FIRE DEPARTMENT.
- b. NEVER PICK UP A FLAMING PAN - You may be burned.
- c. DO NOT USE WATER, including wet dishcloths or towels - a violent steam explosion will result.
- d. Use an extinguisher ONLY if:
 1. You know you have a class ABC extinguisher, and you already know how to operate it.
 2. The fire is small and contained in the area where it started.
 3. The fire department is being called.
 4. You can fight the fire with your back to an exit.
 5. Based on "Kitchen Fire Safety Tips" published by NFPA.

WARNING

TO REDUCE THE RISK OF FIRE, ELECTRIC SHOCK OR INJURY TO PERSONS, OBSERVE THE FOLLOWING:

- a. Installation Work and Electrical Wiring Must be Done by Qualified Person (s) In Accordance with all Applicable Codes and Standards, Including Fire-Rated Construction.
- b. Sufficient air is needed for proper combustion and exhausting of gases through the flue (chimney) of fuel burning equipment to prevent back drafting. Follow the heating equipment manufacturer's guideline and safety standards such as those published by the National Fire Protection Association (NFPA), and the American Society for Heating, Refrigeration, and Air Conditioning Engineers (ASHRAE) and the local code authorities
- c. When cutting or drilling into wall or ceiling, do not damage electrical wiring and other hidden utilities.
- d. Ducted fans must always vent to the outdoors.

WARNING

TO REDUCE THE RISK OF FIRE, USE ONLY METAL DUCTWORK.

CAUTION

To reduce risk of fire and to properly exhaust air, be sure to duct air outside - Do not vent exhaust air into spaces within walls or ceilings or into attics, crawl spaces or garages.

WARNING


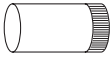
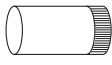
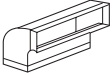
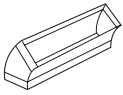
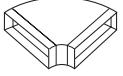
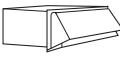
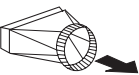
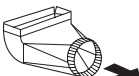


TO REDUCE THE RISK OF SHOCK, THIS FAN MUST BE INSTALLED WITH AN ISOLATING WALL CONTROL/SWITCH.

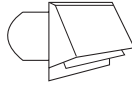

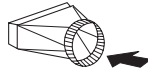
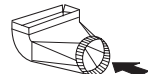
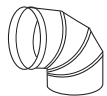

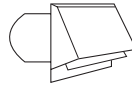

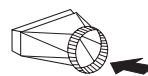
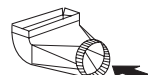
-
- 1 - Hood
 - 2 - Metallic filters (3 - ZVE-E36, E42)
 - 2 - Halogen light bulbs (4 - ZVE-E36, E42)
 - 1 - Duct cover assembly (2 pieces)
 - 1 - Hardware bag
 - 1 - Duct cover mounting bracket
 - 1 - Packet of mounting screws w/anchors
 - 1 - Butterfly damper

NO DUCTING IS INCLUDED

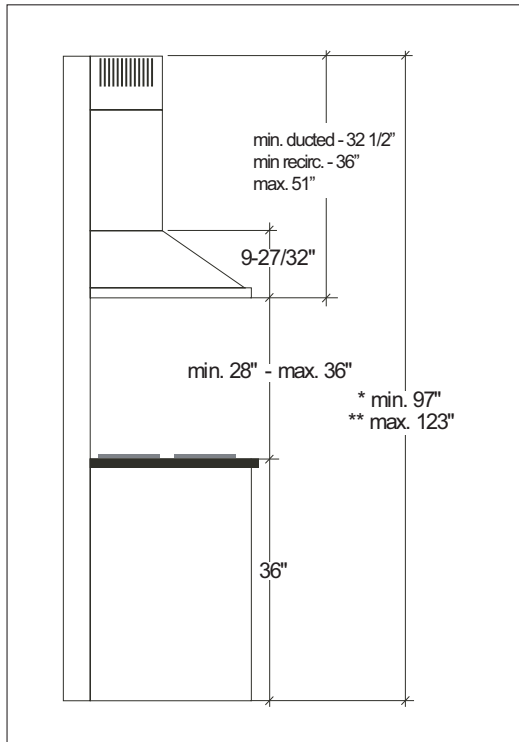
* **Note:** Zephyr recommends using 50LB EZ anchors if mounting hood onto drywall. These are not provided. but are readily available of most hardware stores.

Installation - Ductwork Calculation Sheet

Duct pieces		Equivalent number length x used =	Total
	3 1/4" x 10" Rect., straight	1 Ft. x () =	Ft.
	7" Round, straight	1 Ft. x () =	Ft.
	7" Round, straight	1 Ft. x () =	Ft.
	3 1/4" x 10" Rect. 90° elbow	15 Ft. x () =	Ft.
	3 1/4" x 10" Rect. 45° elbow	9 Ft. x () =	Ft.
	3 1/4" x 10" Rect. 90° flat elbow	24 Ft. x () =	Ft.
	3 1/4" x 10" Rect. wall cap with damper	30 Ft. x () =	Ft.
	3 1/4" x 10" Rect. to 6" round transition	5 Ft. x () =	Ft.
	3 1/4" x 10" Rect. to 6" round transition 90° elbow	15 Ft. x () =	Ft.
	6" Round, 90° elbow	15 Ft. x () =	Ft.
	6" Round, 45° elbow	9 Ft. x () =	Ft.
Subtotal column 1 =			Ft.

Duct pieces		Equivalent number length x used =	Total
	6" Round wall cap with damper	30 Ft. x () =	Ft.
	6" Round, roof cap	30 Ft. x () =	Ft.
	6" round to 3 1/4" x 10" rect. transition	1 Ft. x () =	Ft.
	6" round to 3 1/4" x 10" rect. transition 90° elbow	16 Ft. x () =	Ft.
	7" Round, 90° elbow	15 Ft. x () =	Ft.
	7" Round, 45° elbow	9 Ft. x () =	Ft.
	7" Round wall cap with damper	30 Ft. x () =	Ft.
	7" Round, roof cap	30 Ft. x () =	Ft.
	7" round to 3 1/4" x 10" rect. transition	8 Ft. x () =	Ft.
	7" round to 3 1/4" x 10" rect. transition 90° elbow	15 Ft. x () =	Ft.
Subtotal column 2 =			Ft.
Subtotal column 1 =			Ft.
Total ductwork =			Ft.

Maximum Duct Length: For satisfactory air movement, the total duct length of a 3 1/4" x 10" rectangular, 6" or 7" diameter round duct should not exceed 100 equivalent feet.



Minimum mount height between range top to hood bottom should be no less than 28".

Maximum mount height should be no higher than 36".

It is important to install the hood at the proper mounting height. Hoods mounted too low could result in heat damage and fire hazard; while hoods mounted too high will be hard to reach and will lose its performance and efficiency.

If available, also refer range manufacturer's height clearance requirements and recommended hood mounting height above range. Always check your local codes for any differences.

*Minimum ceiling height of 97". Hood mounted at 28" above cooking surface.

** Maximum ceiling height of 123". Hood mounted at 36" above cooking surface.

DUCTING

A minimum of 6" round or 3-1/4 x 10" rectangular duct must be used to maintain maximum air flow efficiency.

Always use rigid type metal ducts only. Flexible ducts could restrict air flow by up to 50%.

Use calculation worksheet to compute total duct work.

ALWAYS, when possible, reduce the number or transitions and turns. If long duct run is required, increase duct size from 6" to 7 or 8". If a reducer is used, install a long reducer instead of a pancake reducer. Reduce duct size as far away from opening as possible.

If turns or transitions are required: Install as far away from opening and as far apart, between 2, as possible.

Minimum Duct Size:

Round- 6" minimum

Rectangular- 3-1/4 x 10" minimum (requires a 6" to 3-1/4 x 10" adapter not supplied)

DAMAGE-SHIPMENT / INSTALLATION:

- Please fully inspect unit for damage before installation.
- If the unit is damaged in shipment, return the unit to the store in which it was bought for repair or replacement.
- If the unit is damaged by the customer, repair or replacement is the responsibility of the customer.
- If the unit is damaged by the installer (if other than the customer), repair or replacement must be made by arrangement between customer and installer.

Installation - Ducting

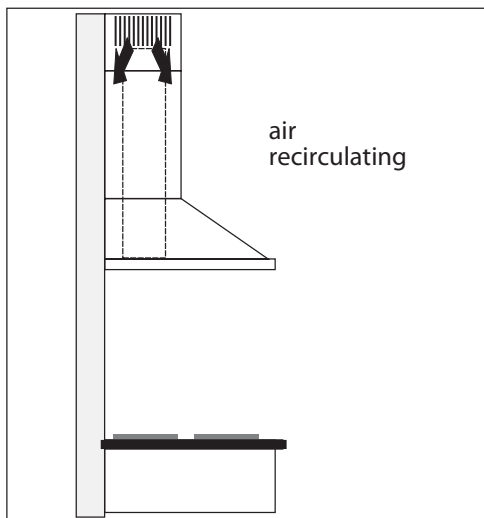
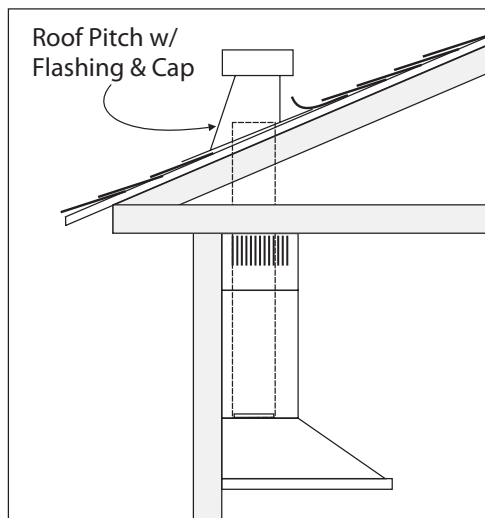
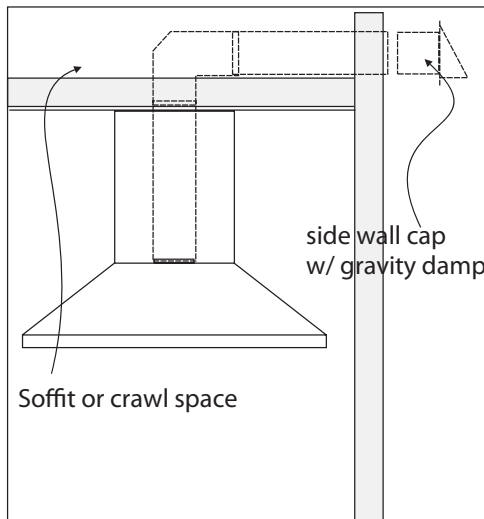
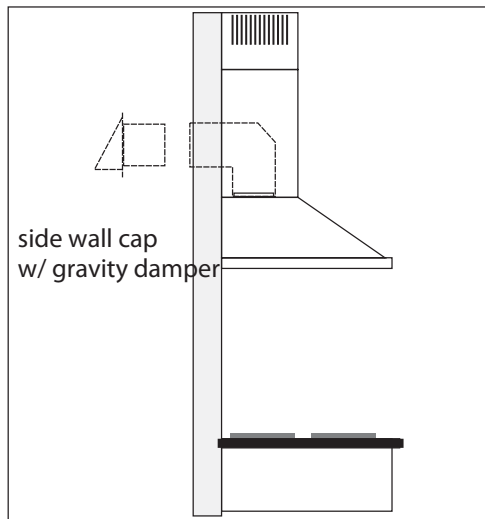
WARNING FIRE HAZARD

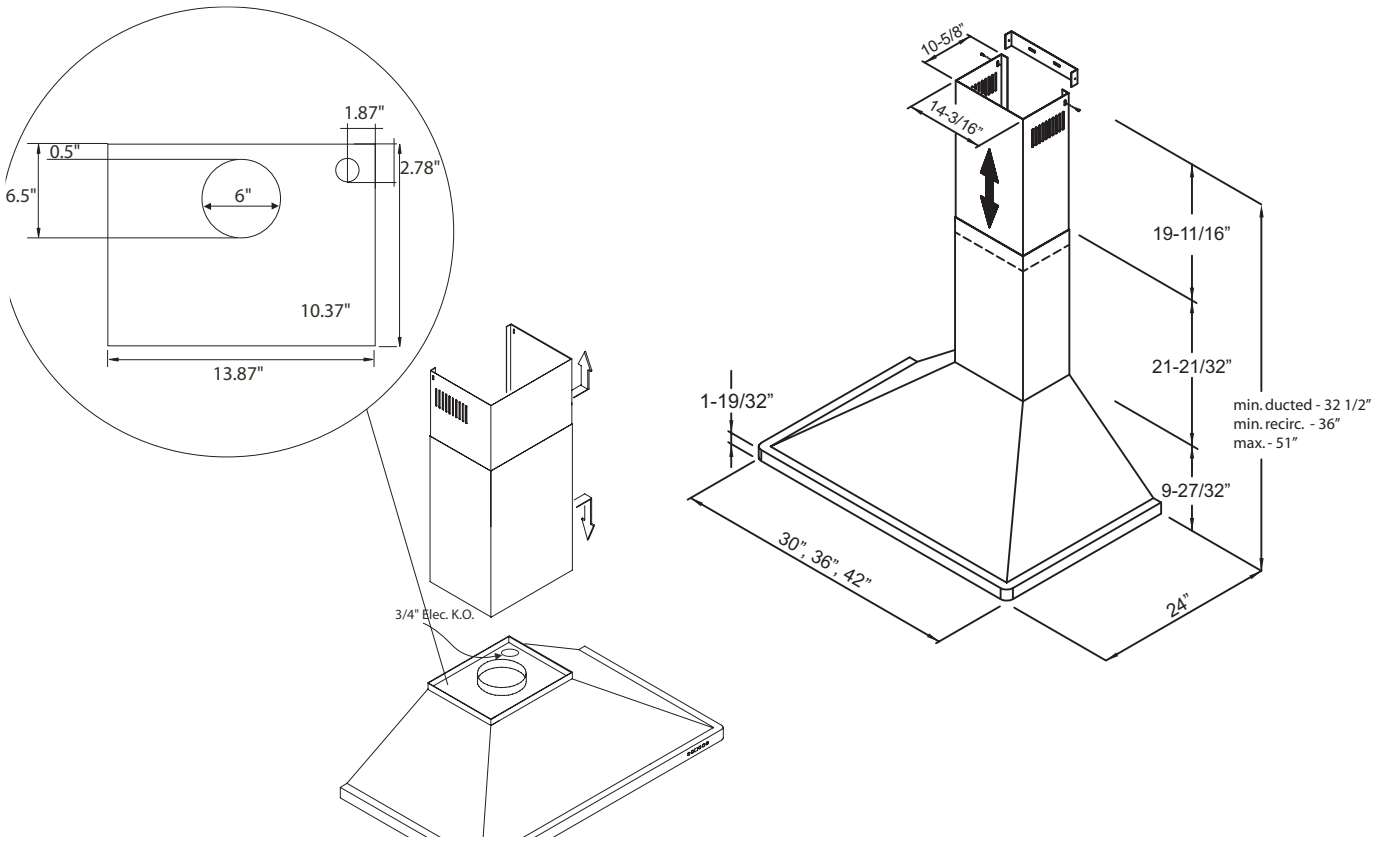
NEVER exhaust air or terminate duct work into spaces between walls, crawl spaces, ceiling, attics or garages. All exhaust must be ducted to the outside, unless using the recirculating option.

Use single wall rigid Metal ductwork only.

Fasten all connections with sheet metal screws and tape all joints w/ certified Silver Tape or Duct Tape.

Some Ducting Options:





ELECTRICAL - WARNING

All Electrical work must be performed by qualified electrician or person with similar technical know how and background.

For personal safety, remove house fuse or open circuit breaker before beginning installation.

Do not use extension cord or adapter plug with this appliance.

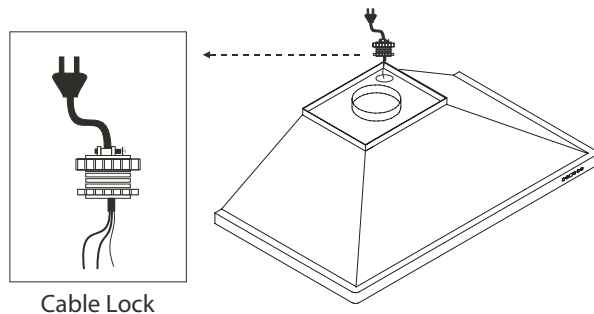
Follow National electrical codes or prevailing local codes and ordinances.

Electrical Supply:

This appliance requires a 120V 60Hz electrical supply, and connected to an individual, properly grounded branch circuit, protected by a 15 or 20 ampere circuit breaker or time delay fuse. Wiring must be 2 wire w/ ground. Please refer to Electrical Diagram labeled on product.

Cable Lock:

A cable locking connector (not supplied) might also be required by local codes. Check with local requirements and codes, purchase and install appropriate connector if necessary.

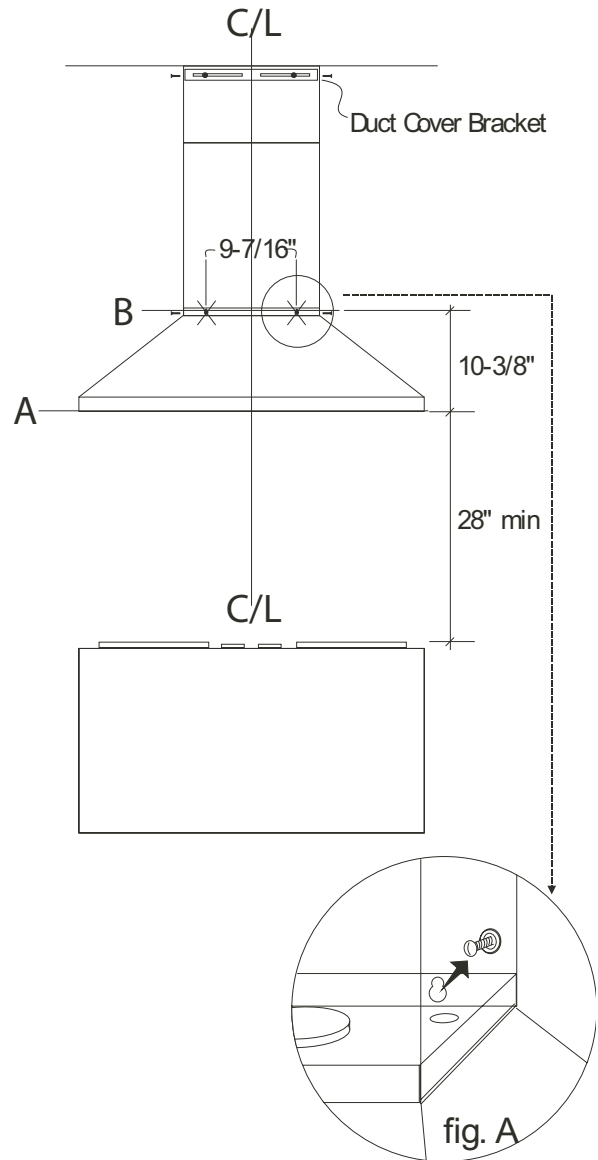


Installation - Mounting the Hood & Duct Cover

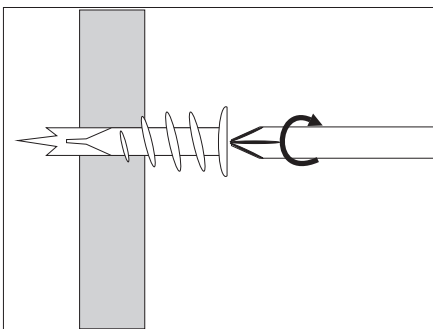
1. Measure from range top to hood bottom (28" min) Level and mark line A.
2. Plum and mark center line.
3. Mark mounting height line B. (10-3/8" from line A)
4. Mark mounting spread from C/L (9-7/16")
5. Fasten E-Z anchors to wall (see below) as marked.
6. Fasten screws provided onto EZ anchors, do not fasten screws all the way.
7. Hang hood onto screws and hand tighten (fig A).

MOUNTING THE DUCT COVER

1. Center and attach duct cover mount bracket on wall below ceiling or soffit.
2. Mount telescopic duct covers onto hood and extend inner duct cover and fasten to bracket.



EZ ANCHORS



Tap EZ anchor tip into marked drywall locations, turn with screwdriver until seated flush.

Notewhenver possible, the hood should be secured to wall studs. Use EZ anchors only on hollow drywall applications (minimum drywall thickness 1/2"). If a stud or wood surface is present, fasten screws directly into stud or plywood. For all other wall types (concrete, brick, tiles, etc), use appropriate anchors for mounting.

Ductless recirculating is intended for applications where an exhaust duct work is not possible to be installed. When converted, the hood functions as a "purifying" hood rather than an exhaust hood. Fumes and exhaust from cooking is drawn and filtered by a set of optional charcoal filters. The air is then purified and re-circulated back within the home.

We recommend to ALWAYS exhaust air outside of the home by employing existing or installing new duct work, if possible. The hood is most effective and efficient as an Exhaust unit. Only when the exhaust option is not possible should you recourse to converting the hood into a "purifying" unit.

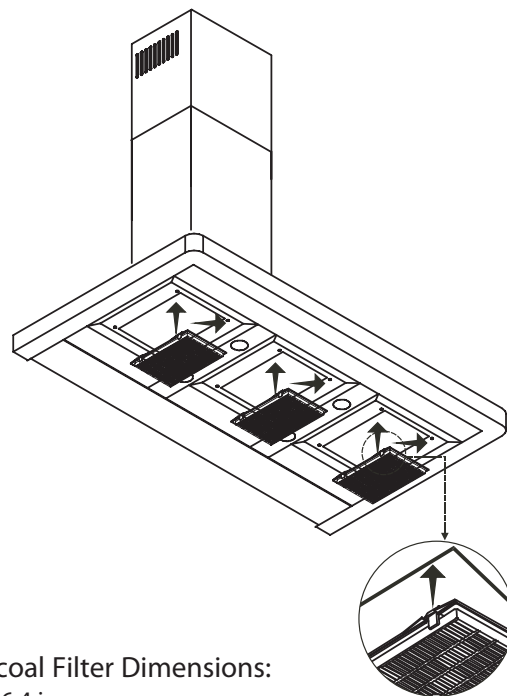
When converted to be a "purifying" unit, a set of charcoal filters are required on top of its standard Metal Filter set. Order according to its Part number below. The standard Metal Filters are intended to capture residue from cooking and the optional charcoal filters help to purify fumes exhausted from cooking for re-circulation.

RECIRCULATING KIT (Required)

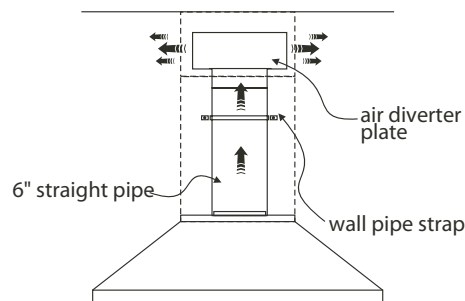
1. Kit includes charcoal filters and air diverter plate:

Hood Model:	Part No.	Filters in pkg.
ZVE-E30S	ZRC-0050	2
ZVE-E36S	ZRC-0051	3
ZVE-E42S	ZRC-0051	3

2. Remove metal filters on hood. Clip charcoal filters onto difuser panels.
3. Re-install metal filters.
4. Turn on filter change indicator on control panel (refer details pg. 7)
5. Charcoal filters must be replaced after every 120 hours of use (or approximately every 2 to 3 months based on the average of 1-2 hrs. of daily cooking time). The microprocessor in the controls when set, will elapsed and count usage time and indicate when carbon filter replacement is required every 120 hrs.

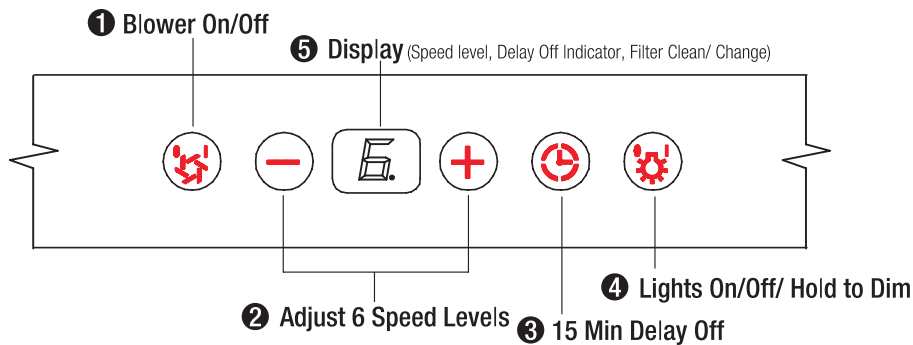


Charcoal Filter Dimensions:
 9 in x 6.4 in
 228 mm x 162 mm



Ducting



1. Install a 6" straight pipe attached to the air diverter plate to divert air through louvers on duct cover.





1. Blower On/Off

By pressing  the blower is switched On and Off. When switched on, the blower starts up on speed level 3.



2. Speed Selection

The 6 speed levels are selected by pressing  to decrease and  to increase speed level. The display indicates level selected.

3. Delay Off

This is used for programmed shut down of blower and lights 15 minutes after the function is activated. Press  once, a dot flashes in the lower right hand side of display  indicating the function is on. The hood will completely shut down in 15 minutes.

4. Lights On/Off/Dim

Switch lights On and Off by pressing key  once. To dim lights, press and hold  for 2 seconds.

5. Advance Display Functions

Filters Clean Reminder (Metal):


After every 30 hours of use, the display will start flashing an  reminding you to clean the metal filters from residue and possible clogs.

The standard Metal Filters are required to be cleaned frequently and as recommended in order to maintain blower efficiency. If improperly maintained, residue from cooking will sift through filters and cause damage to hood blowers and other sensitive components; and possibly clog duct work and create a fire hazard.




Filters Change Reminder (Charcoal, if fitted):

When your hood is installed as "Recirculating" (Ductless) unit, it is fitted with a set of Charcoal Filters to purify any exhaust and fumes from cooking, and re-circulates the air within the home. These Charcoal Filters are required to be replaced after every 120 hours of use. The Filter Change Reminder function in the microprocessor needs to be switched on. The microprocessor in the controls when set, will elapse and count usage time and indicate when charcoal filter replacement is needed every 120 hrs.

Filter Change Reminder (Charcoal, if fitted):

When your hood is installed as a 'Recirculating' (Ductless) unit, it is fitted with a set of Charcoal Filters to purify exhaust and fumes from cooking, then re-circulate the air within the home. These Charcoal Filters are required to be replaced after every 120 hours of use. The Filter Change Reminder function in the microprocessor needs to be switched on. The microprocessor in the controls when set, will elapse and count usage time and indicate by a flashing  when charcoal filter replacement is needed.

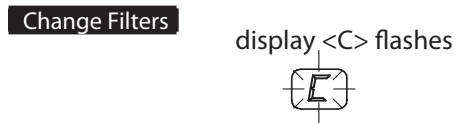
Setting the Filter Change Reminder:

When Off, hold  for approx. 5 seconds. The display will change from  (exhaust mode) to , (purifying mode/ carbon filters used) this indicates that the elapse timer function is switched on and Charcoal Filters are used.



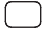


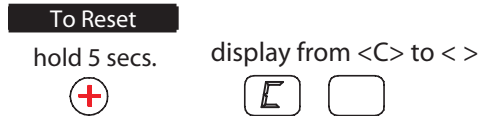
Filter Replace Indicator:

When the display  starts flashing, the Charcoal Filters require replacement.




Re-setting Function:


Once filters are replaced, with hood off, press and hold , the display will appear; hold for approximately 5 seconds until  on display disappears . The Filter Change Reminder is now re-set and a new 120 hours elapse cycle is initiated.



Filter Clean Reminder (Standard Metal Filters fitted):

Whether your hood is installed as an Exhaust or Purifying unit, a set of metal filters are fitted by the factory. These Metal Filters are intended to filter out residue from cooking. They need not be replaced on a regular basis but are required to be kept clean. The Filter Change Reminder function in the microprocessor will automatically indicate by a flashing  when the metal filters need to be cleaned after every 30 hrs. of use. Filters can be cleaned by hand with non-abrasive soap or in a dishwasher. Heavily soiled filters should also be soaked in grease cutting detergent such as Formula '409' or its equivalent, prior to cleaning.




Filter Clean Reminder:

When  flashes on display, the metal filters installed are required to be cleaned. This will occur after every 30 hours of use.

| Clean Filters |

display <A> flashes

**Re-setting Function:**

Reset the Filter Clean Reminder timer when filters are cleaned and re-installed (with hood off). Press and hold  for approx. 5 seconds, the display will appear; hold for approximately 5 seconds until  on display disappears  The Filter Clean Reminder function is now re-set and a new 30 hours elapse cycle is initiated.

| To Reset |

hold 5 secs.



display from <C> to <>



Surface Maintenance:

Clean periodically with hot soapy water and clean cotton cloth. Do not use corrosive or abrasive detergent , or steel wool/scouring pads which will scratch and damage surface.

For heavier soil use liquid degreaser.

After cleaning, you may use non-abrasive stainless steel polish/ cleaners, to polish and buff out the stainless luster and grain. Always scrub lightly, with clean cotton cloth, and with the grain.

Do not use any product containing chlorine bleach. Do not use "orange" cleaners.

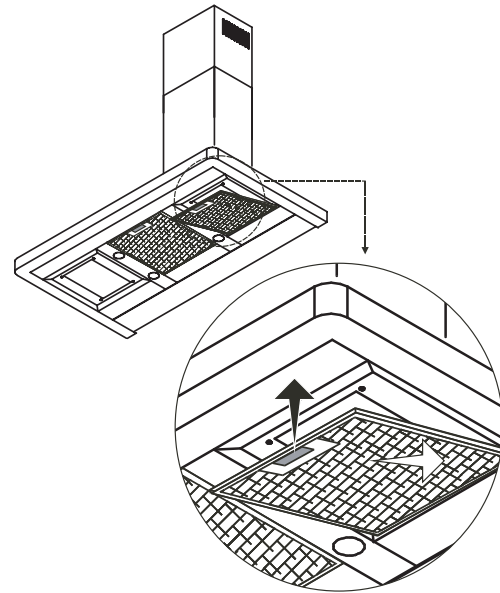
Metal Filters

The Metal Filters fitted by the factory are intended to filter out residue and grease from cooking. They need not be replaced on a regular basis but are required to be kept clean.

Filters should be cleaned after every 30 hours of use. Use the Filter Clean Reminder function on the controls to determine when filters require cleaning.

Remove and clean by hand or in dishwasher. Spray degreasing detergent and leave to soak if heavily soiled.

Dry filters and re-install before using hood.



Replacing Metal Filters

Should filters wear out due to age and prolonged use, replace with following part number:

Hood Model:	Part No.	Filters in pkg.
ZVE-E30S	Z0F-MO42	2
ZVE-E36S	Z0F-MO43	3
ZVE-E42S	Z0F-MO43	3

Metal Filter Dimensions:
 16.12 in x 9.12 in
 409 mm x 232 mm

Also replace any damaged filter that has punctured or broken mesh, bent or broken frame.

Replacing Light Bulbs

CAUTION: Light bulb becomes extremely hot when turned on. DO NOT touch bulb until switched off and cooled. Touching hot bulbs could cause serious burns.

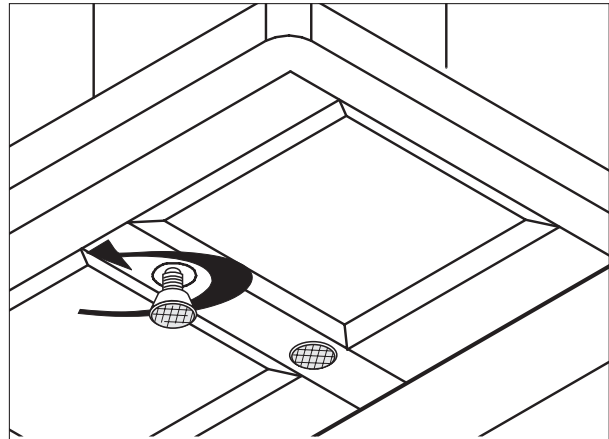
Make sure all power is turned off and bulbs are not hot.

Remove by turning bulb counter clockwise.

If bulbs are difficult to turn due to prolonged use, firmly attach a glass suction cup approx. the diameter of the bulb or use a rubber/ latex glove and turn counter clockwise.

Replacement bulbs are available at specialty lighting stores. Purchase type JDR E27 50W halogen bulbs.

Or to order bulbs, please call our service center: 888-880-8368 or online parts store: www.zephyronline.com



Issue	Cause	What to do
After installation, the unit doesn't work?	1. The power source is not turned ON.	1. Make sure the circuit breaker and the unit's power is ON.
	2. The power line and the cable locking connector is not connecting properly.	2. Check the power connection with the unit is connected properly.
	3. The switch board and control board wirings are disconnected.	3. Make sure the wirings between the switch board and control board are connected properly.
	4. The switch board or control board is defective.	4. Change the switch board or control board.
Light works, but motor is not turning.	1. The motor is defective, possible seized.	1. Change the motor.
	2. The thermally protected system detects if the motor is too hot to operate and shuts the motor down.	2. The motor will function properly after the thermally protected system cool down.
	3. Damaged condenser.	3. Change the condenser.
The unit is vibrating.	1. The motor is not secure in place.	1. Tighten the motor in place.
	2. Damaged blower wheel.	2. Change the blower wheel.
	3. The hood is not secured in place.	3. Check the installation of the hood.
The motor is working, but the lights are not.	1. Defective halogen bulb.	1. Change the halogen bulb.
	2. The light bulb is loose.	2. Tighten the light bulb.
	3. The light bulb is not making a full contact.	3. Remove the bulb and disable power to the hood. Bend the two metal brackets inside the bulb opening and bend them outwards to lower the socket and make a complete contact.
The hood is not venting out properly.	1. The hood might be hanging too high from the cook top.	1. Adjust the distance between the cook top and the bottom of the hood within 24" and 32" range.
	2. The wind from the opened windows or opened doors in the surrounding area are affecting the ventilation of the hood.	2. Close all the windows and doors to eliminate the outside wind flow.
	3. Blocking in the duct opening or ductwork.	3. Remove all the blocking from the duct work or duct opening.
	4. The direction of duct opening is against the wind.	4. Adjust the duct opening direction.
	5. Using the wrong size of ducting.	5. Change the ducting to at least 8" or higher.
Metal filter is vibrating.	1. Metal filter is loose.	1. Change the metal filter.

Description	Part#
Light Bulb (JDR-E27)	Z0B-0011
Metallic Filters (2 pk)	Z0F-M042
Metallic Filters (3 pk)	Z0F-M043
Telescopic Back Splash 30"	Z0S-0013
Telescopic Back Splash 36"	Z0S-0016
Telescopic Back Splash 42"	Z0S-0012
Wire Spice Rack 30"	Z0R-0013
Wire Spice Rack 36"	Z0R-0016
Wire Spice Rack 42"	Z0R-0012

To order parts, visit us online at : www.zephyronline.com and go to the parts store.
 Or call us at : 888-880-8368

TO OBTAIN SERVICE UNDER WARRANTY
or any Service Related Questions, please call:
1-888-880-8368

Staple your receipt here.
Proof of the original purchase
date is needed to obtain service
under the warranty.

TO OBTAIN SERVICE UNDER WARRANTY: You must present proof of original purchase date.
Please keep a copy of your dated proof of purchase (sales slip) in order to obtain service under warranty.

One Year Service Repair Warranty:

For one year from date of original purchase, we will provide free of charge, service labor to repair any failed parts or components due to manufacturing defects.

One Year Parts Warranty:

For one year from date of original purchase, we will provide free of charge, nonconsumable replacement parts or components that failed due to manufacturing defects. Consumable parts not covered by this warranty include: Light Bulbs, Metal and Charcoal Filters.

Who is Covered:

This warranty is extended to the original purchaser for products purchased for ordinary home use in the 48 mainland states, Hawaii and Washington D.C. In Canada and Alaska, this warranty is Limited. There might be costs associated with shipping the products to our designated service locations or you might need to pay service technician's travel costs, to have the appliance repaired in-home.

This Warranty will be Voided when:

Product damaged through negligence, misuse, abuse, accident. Improper installation and failure to follow installation instructions. When product is used commercially or other than its intended purpose. Damaged because of improper connection with equipment of other manufacturers. Repaired or modified by anyone other than Zephyr's Authorized Agents.

What is Not Covered:

Consumable parts such as light bulbs, filters, and fuses. Services outside of service area and the labor cost incurred in connection with the removal, shipping and reinstallation cost, nor does it cover any other contingent expenses. The natural wear of finish, and wear due to improper maintenance, use of corrosive and abrasive cleaning products, pads, and oven cleaner products. Chips, dents or cracks due to abuse, misuse, freight damage, or improper installation. Service trips to your home to teach you how to use the product. Damage of product caused by accident, fire, floods or act of God.

This warranty is valid in the United States and Canada. It is non-transferable and applies only to the original purchaser and does not extend to subsequent owners of this product. Any applicable implied warranties, including the warranty of merchantability, are limited in duration to a period of express warranty as provided herein beginning with the date of original purchase at retail and, no warranties, whether express or implied, shall apply to this product thereafter.

Have your product proof of purchase with date ready for warranty issues.
Or write to:

**Zephyr Corporation
Service and Warranty Department
395 Mendell Street
San Francisco, CA 94124**