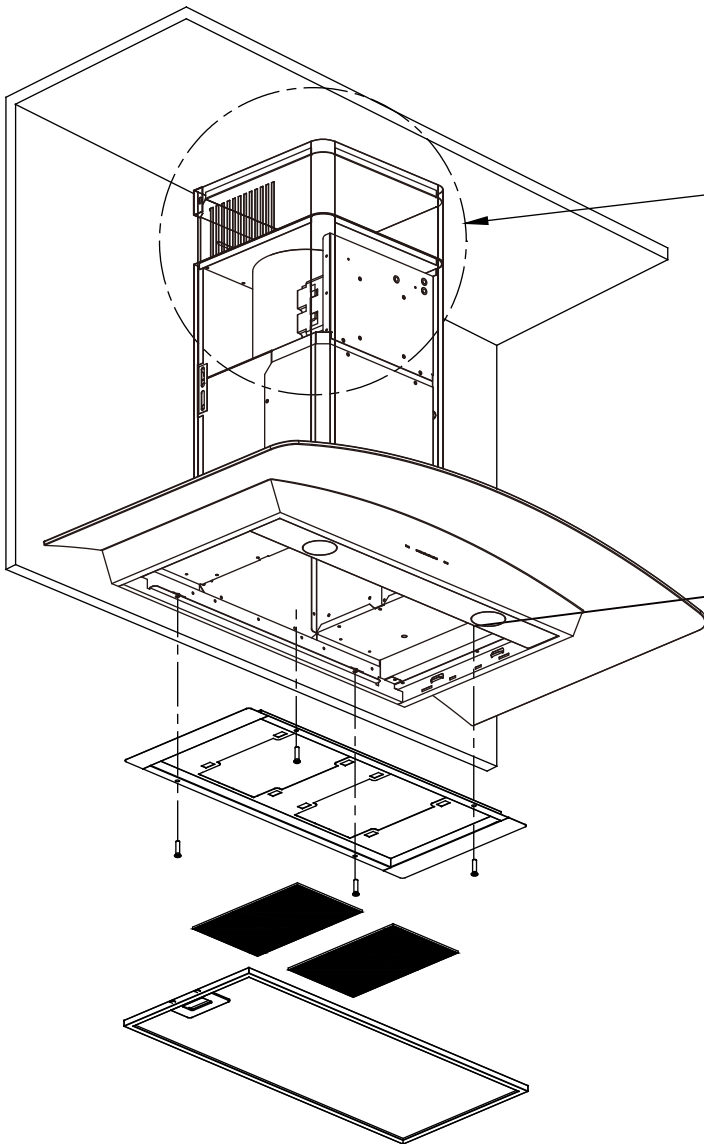


## ZRC-00RV

For use with : ZRV-E30AGC  
ZRV-E30AGG ZRV-M90AGC ZRV-M90AGG



Remove all black foam from filter opening before installing the charcoal filter brackets.

### LIST OF MATERIALS

