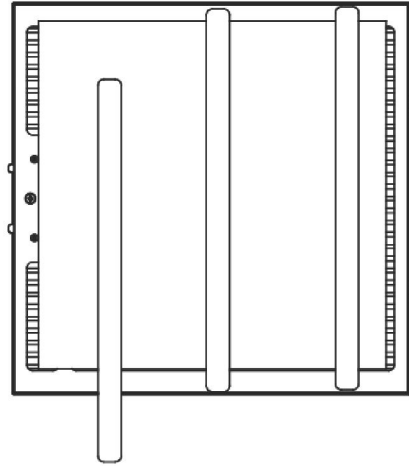
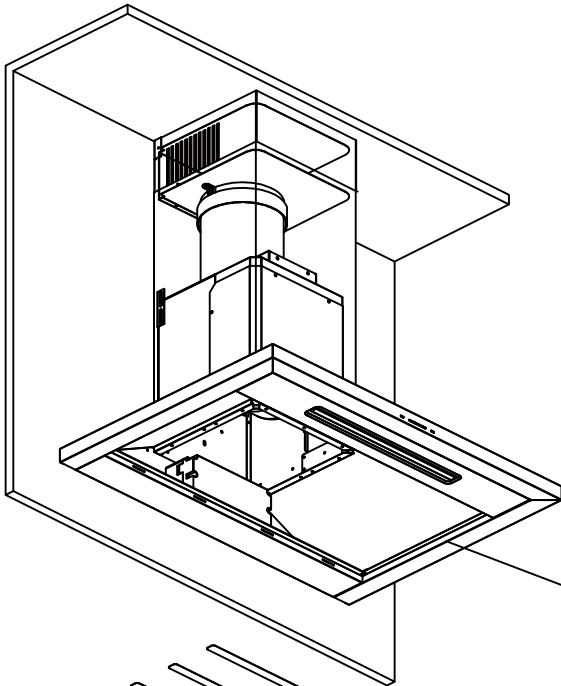


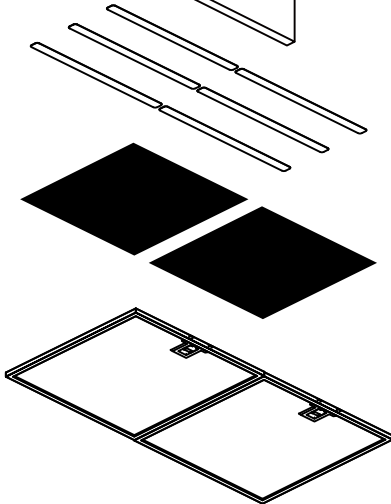
## ZRC-01AN

For use with models: ZAN-C

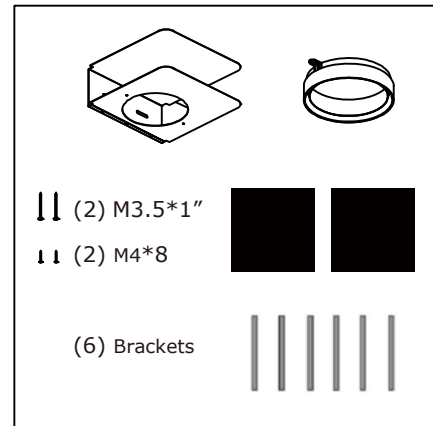


Place charcoal filter on back-side of baffle filter. And place filter brackets over charcoal filter and secure in place by tucking each end of bracket under the baffle filter frame. Re-install baffle filter.

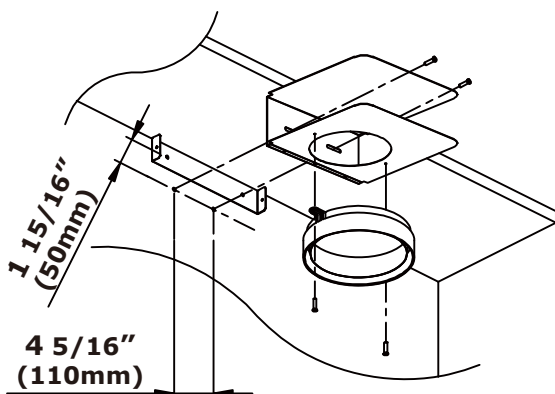
Remove all black foam from filter opening before installing the charcoal filter brackets.



### INCLUDED MATERIALS



1



2

