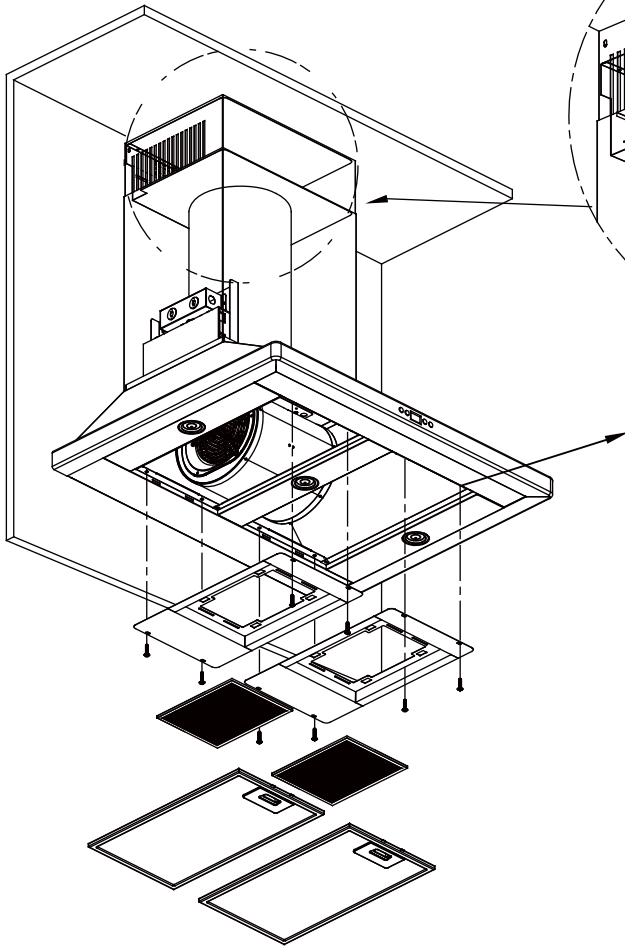


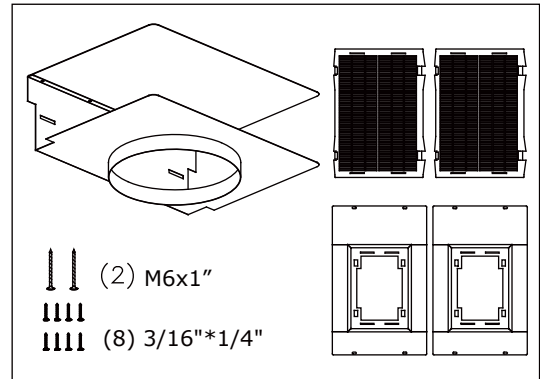
ZRC-00VE

For use with models : ZVE-E30BS

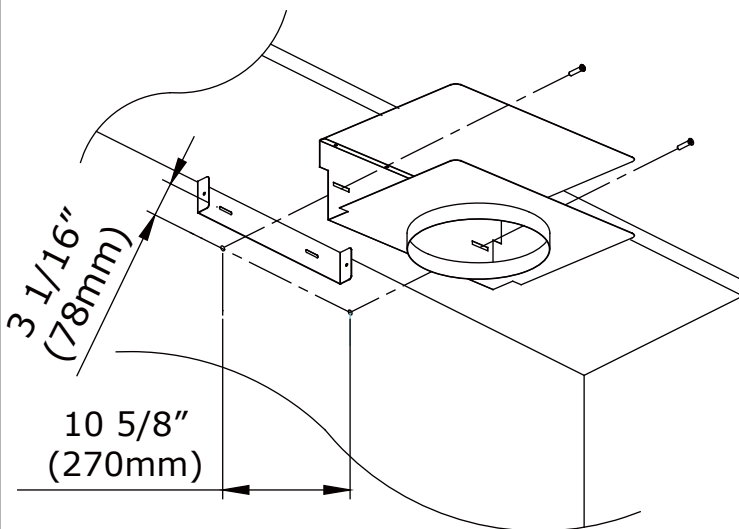


Remove all black foam from filter opening before installing the charcoal filter brackets.

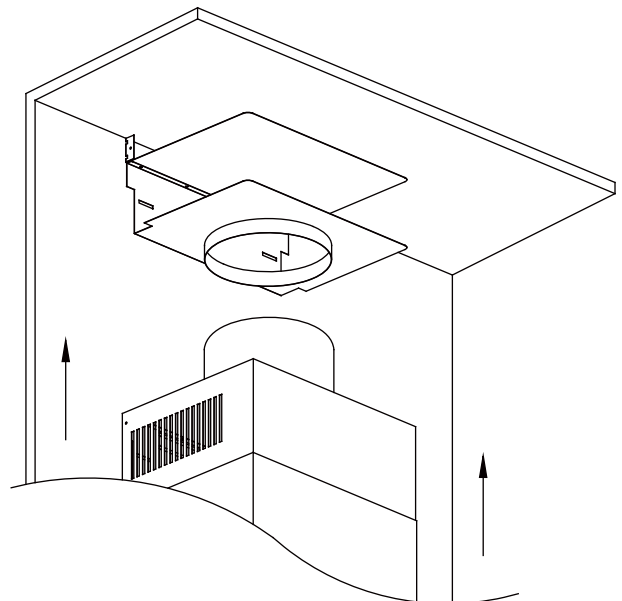
LIST OF MATERIALS



1

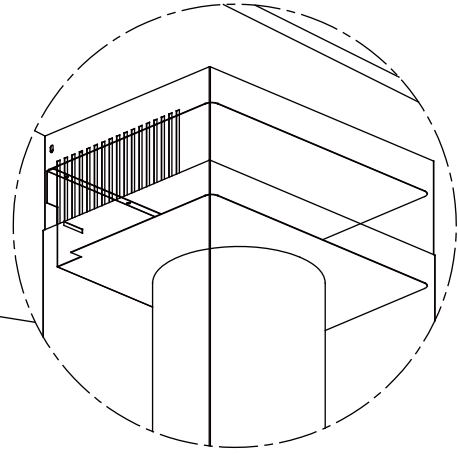
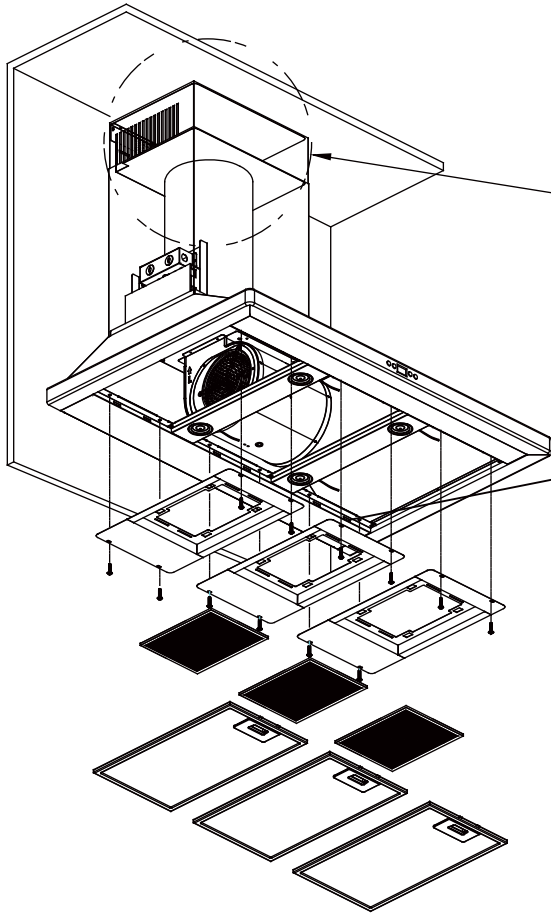


2



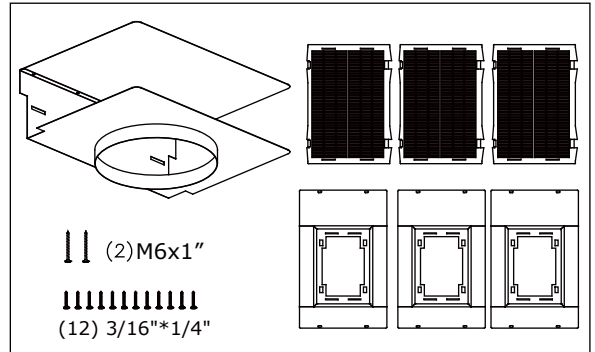
ZRC-01VE

For use with models : ZVE-E36BS, ZVE-E42BS

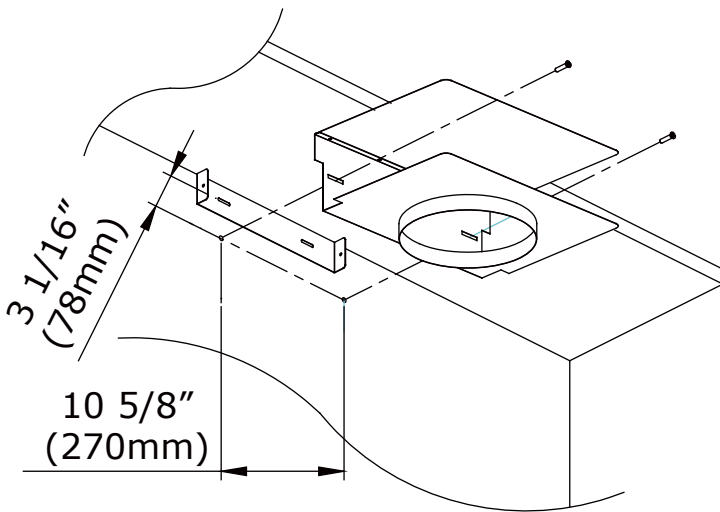


Remove all black foam from filter opening before installing the charcoal filter brackets.

LIST OF MATERIALS



1



2

