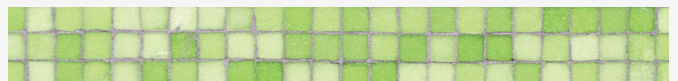
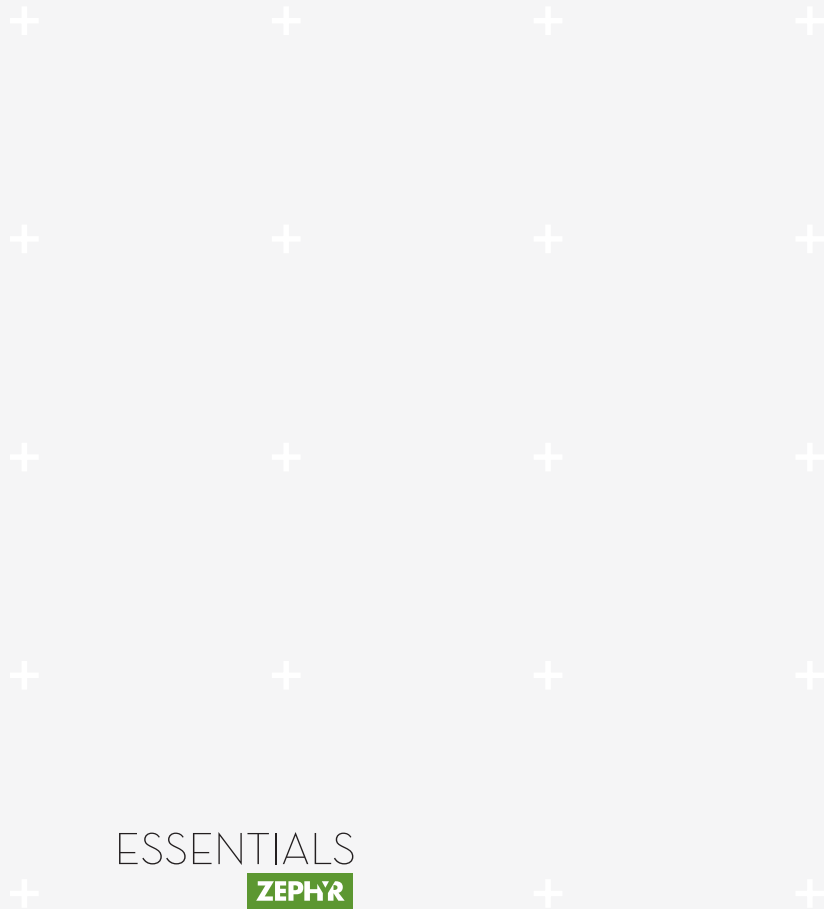
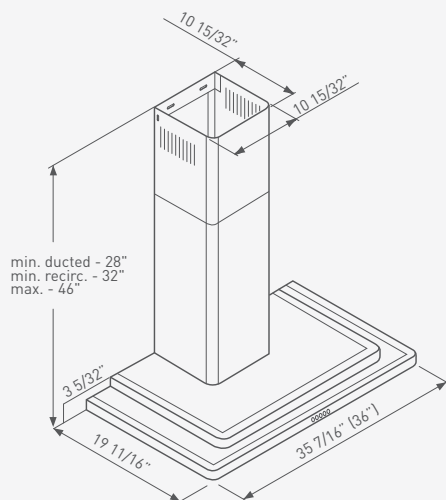


## FIRENZE

Clean, architectural lines ascend in layers to achieve an understated power that precisely complements the contemporary kitchen. It's a minimalist approach that nonetheless speaks volumes about the taste and refinement of the chef. And Firenze's suspended surfaces even do double duty as a spice shelf or display area.



# ESSENTIALS



## FIRENZA

WALL

MODEL	ZFI-M90S
<b>SIZE</b>	36"
<b>NET WIDTH</b>	35-7/16"
<b>PERFORMANCE</b>	
Internal Blower	715 CFM
Internal Blower Sones	6
<b>COLOR</b>	
Stainless Steel	SS
<b>FEATURES</b>	
Controls	Electronic Touch
Speed Levels	6
Auto Delay-Off	Yes
Lighting	Halogen, 50W x 2
Dual-Level Lighting	Yes
Filters	Metal Mesh x 2
Recirculating	Yes
Duct Cover Extension	Yes, Up to 14' Ceiling
<b>DUCT SPECIFICATIONS</b>	
Internal Blower - Vertical	6"
Internal Blower - Horizontal	NA
<b>AC INPUT</b>	120V - 60Hz
<b>AC POWER</b>	Max. 450W, 4.0 Amps
<b>OPTIONAL ACCESSORIES</b>	
Recirculating Kit	ZRC-0020
Extension Kit (up to 14' ceiling)	Z1C-00FI

Mounting Heights (Ducted)	Min. ceiling height 7'8". Hood mounted 28" above cooking surface; 64" from floor.	Max. ceiling height 9'10". Hood mounted 36" above cooking surface; 72" from floor.
Mounting Heights (Recirculating)	Min. ceiling height 8'. Hood mounted 28" above cooking surface; 64" from floor.	Max. ceiling height 9'10". Hood mounted 36" above cooking surface; 72" from floor.

# ESSENTIALS

**ZEPHYR**

### Zephyr Corporation

2277 Harbor Bay Parkway  
Alameda, CA 94502

1.888.880.VENT

[www.zephyronline.com](http://www.zephyronline.com) may08.0101

