

GENOVA under-cabinet

Tucked neatly beneath your bridge cabinet, Genova quietly works out of sight. Powered by the strength of its 500-CFM fan, Genova's crescent-like body delivers stunning design and quality performance. Its retractable visor helps in the capture of air and puts control at your fingertips, requiring just a pull of the visor to manage the hood's motor and lights. Packed with upgraded features like three-speed electronic controls, dual-level halogen lights and an optional recirculation kit, the wireless remote control almost seems gratuitous. Genova is perfect for kitchens that require a more discreet look.

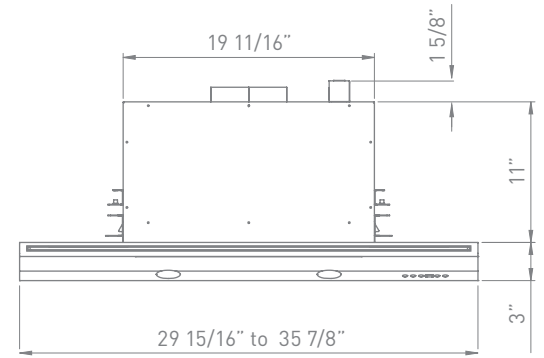
- Three-speed electronic controls with optional wireless remote control
- Dual-level halogen light bulbs
- Optional recirculating kit

MODEL	SIZE	INTERNAL BLOWER		IN-LINE/EXTERNAL	
		Min.-Max. CFM	Min.-Max. Sones	Min.-Max. CFM	Min.-Max. Sones
ZGE-E30AS	30"	230 - 500	1.7 - 5.3	NA	NA
ZGE-E36AS	36"	230 - 500	1.7 - 5.3	NA	NA
ZGE-E30AS290	30"	210 - 290	1.4 - 2.8	NA	NA
ZGE-E36AS290	36"	210 - 290	1.4 - 2.8	NA	NA

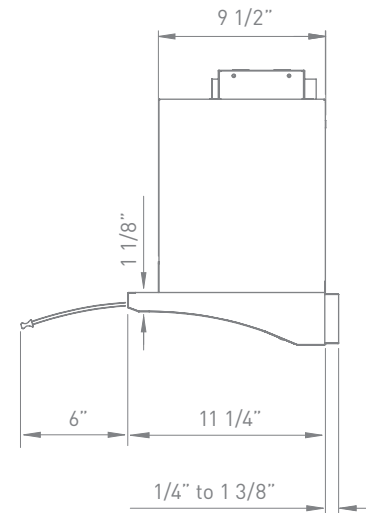


GENOVA UNDER-CABINET | EUROPA CLASSICS

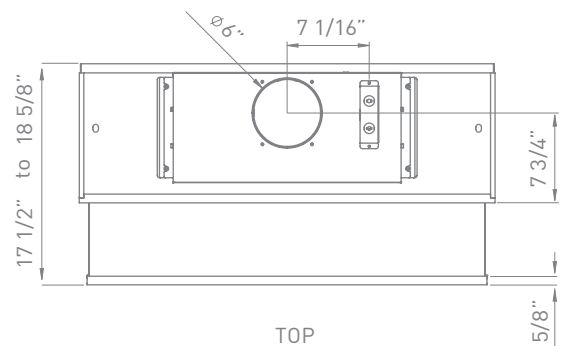
SIZE	
ZGE-E30AS / ZGE-E30AS290	30"
ZGE-E36AS / ZGE-E36AS290	36"
PERFORMANCE	
INTERNAL, MIN.-MAX. BLOWER CFM	
ZGE-E30AS / ZGE-E36AS	230 - 500
ZGE-E30AS290 / ZGE-E36AS290	210 - 290
INTERNAL, MIN.-MAX. SONES	
ZGE-E30AS / ZGE-E36AS	1.7 - 5.3
ZGE-E30AS290 / ZGE-E36AS290	1.4 - 2.8
COLOR	
STAINLESS STEEL	SS + Glass
FEATURES	
CONTROLS	Electronic Touch
SPEED LEVELS	3
AUTO DELAY-OFF	Yes
LIGHTING	Halogen, 50W x2
DUAL LEVEL LIGHTING	Yes
FILTERS	Decorative Mesh
RECIRCULATING OPTION	Yes
EXTENSION DUCT COVER OPTION	NA
DUCT SPECIFICATIONS	
VERTICAL - INTERNAL	6"
HORIZONTAL - INTERNAL	NA
AC INPUT	
	120V - 60Hz
AC POWER	
ZGE-E30AS / ZGE-E36AS	Max. 370W at 3.5 A
ZGE-E30AS290 / ZGE-E36AS290	Max. 167W at 2 A
OPTIONAL ACCESSORIES	
RECIRCULATING KIT	ZRC-00GE
WIRELESS REMOTE CONTROL	14000005
MOUNTING HEIGHT*	
	24" - 32"



FRONT



SIDE



TOP

*Mounting height refers to distance between top of cooking surface and bottom of hood.