

POWER

GUST

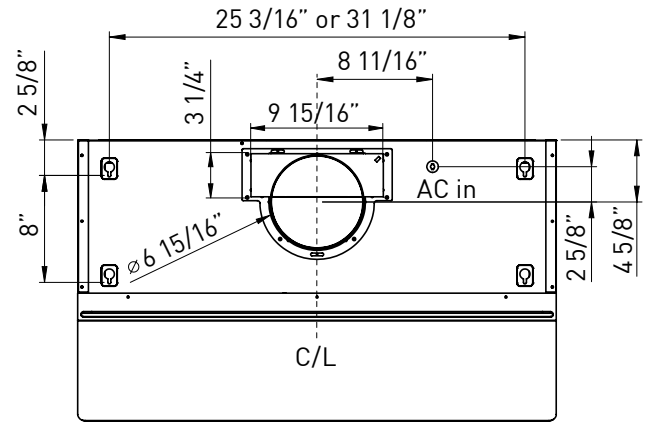
UNDER-CABINET

A discreet, European-style, professional-looking range hood, Gust adds fashion to under-cabinet installations. With its mechanical controls neatly tucked away below the canopy, Gust provides the subtlety its owners re-

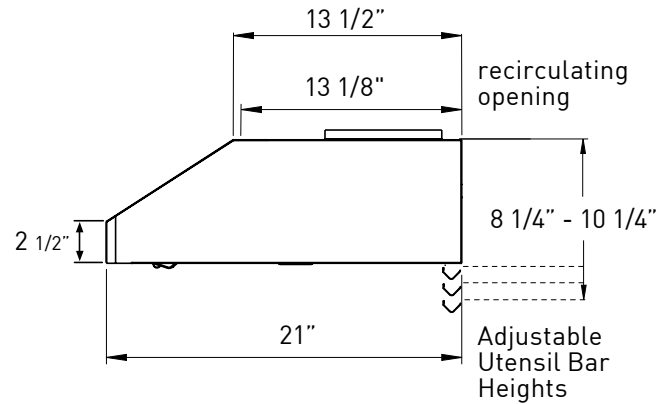
quire. Its perfectly curved corners and understated top-mounted return-air louver offer further evidence that Gust spares nothing when it comes to quality construction. Available with optional recirculating kit and baffle filters.

ZEPHYR

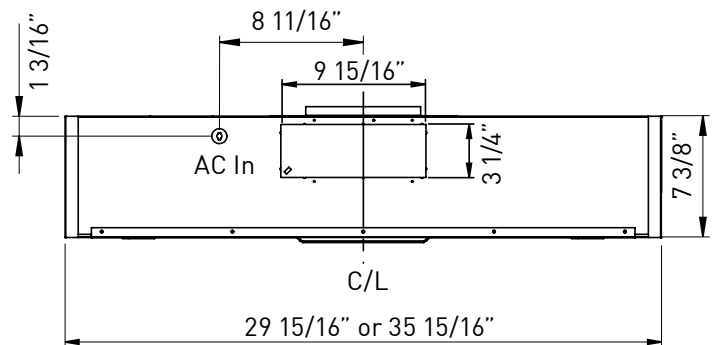
ZEPHYRONLINE.COM



TOP



SIDE



BACK

MODEL

Stainless Steel	AK7100AS	AK7136AS
Stainless Steel, w/ Baffle Filters	AK7100AS-BF	AK7136AS-BF
Stainless Steel, 290 CFM	AK7100AS290	AK7136AS290

Size	30"	36"
Blower CFM (Min. - Max.)	210 - 400	210 - 400
Sones (Min. - Max.)	2 - 5	2 - 5
290 CFM (Min. - Max.)	120 - 290	120 - 290
290 Sones (Min. - Max.)	1.1 - 3.2	1.1 - 3.2

FEATURES

Controls	Mechanical Slide	Mechanical Slide
Speed Levels	3	3
Auto Delay-Off	No	No
Lighting	Halogen, 50W x2	Halogen, 50W x2
Dual-Level Lighting	Yes	Yes
Filters	Aluminum Mesh x2 Baffle x2 (AK7100AS-BF)	Aluminum Mesh x2 Baffle x2 (AK7136AS-BF)
Recirculating Option	Yes	Yes

DUCT SPECIFICATIONS

Vertical Internal Blower	7" Round or 3-1/4" x 10"	7" Round or 3-1/4" x 10"
Horizontal Internal Blower	3-1/4" x 10"	3-1/4" x 10"
400 CFM AC POWER	120V, 60Hz at Max. 1.7A	120V, 60Hz at Max. 1.7A
290 CFM AC POWER	120V, 60Hz at Max. 1.55A	120V, 60Hz at Max. 1.55A

OPTIONAL ACCESSORIES

Recirculating Kit	ZRC-0200	ZRC-0200
Make-Up Air Kit	MUA006A	MUA006A

MOUNTING HEIGHT RANGE*	24" - 32"	24" - 32"
-------------------------------	-----------	-----------

WARRANTY	3 years parts, 1 year labor	3 years parts, 1 year labor
-----------------	-----------------------------	-----------------------------

*Mounting height refers to distance between top of a 36" tall cooking surface and bottom of hood.