

Modena island's low profile stainless steel and airy glass canopy resemble a floating island over your cooktop or range. A perfect blend of architecture and performance the Modena island includes the exclusive Quick-Lock

installation system with magnetic duct covers and our DCBL™ and ACT™ technology, the most advanced systems available today. Now available with an optional wireless remote control.



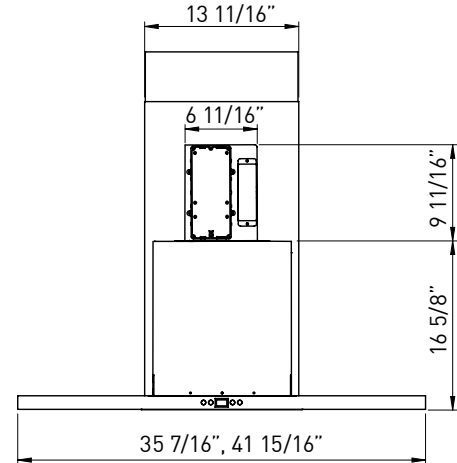
ACT™

Min. - Max. CFM	INTERNAL BLOWER STANDARD	INTERNAL BLOWER with ACT™ AIRFLOW CONTROL TECHNOLOGY™*		
	250 - 715	250 - 590	250 - 390	250 - 290
Min. - Max. Sones	0.8 - 5.8	0.8 - 4.5	0.8 - 3	0.8 - 1.2

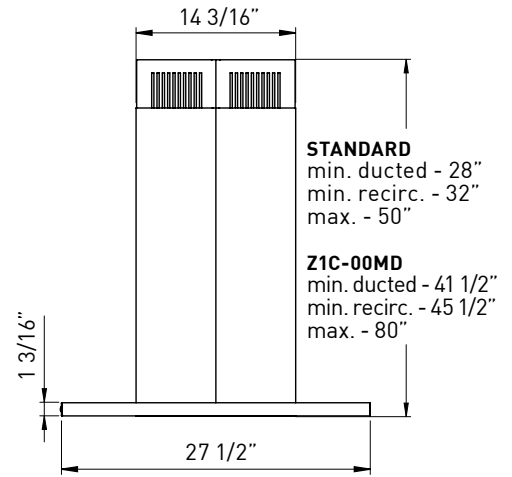
\*AIRFLOW CONTROL TECHNOLOGY™ (ACT™) is an exclusive feature built into specific Zephyr hoods which can limit the maximum blower CFM to meet local code requirements.



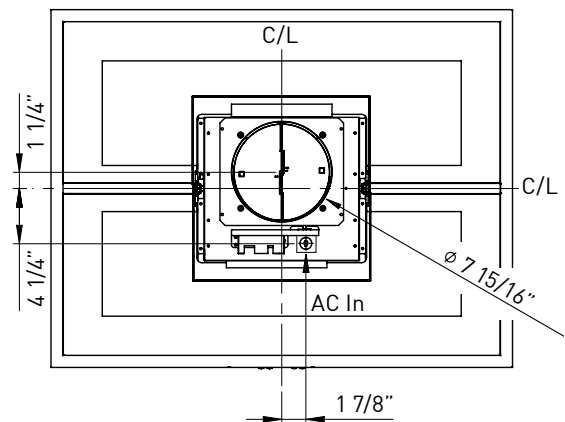
Optional Wireless Remote Control



FRONT



SIDE



TOP

MODEL	ZMD-M90AS	ZMD-E42AS
Stainless Steel w/ Glass		
<b>Size</b>	36"	42"
<b>Blower CFM (Min. - Max.)</b>	250 - 715	250 - 715
<b>Sones (Min. - Max.)</b>	0.8 - 5.8	0.8 - 5.8
<b>ACT 590 CFM (Min. - Max.)</b>	250 - 590	250 - 590
<b>ACT 590 Sones (Min. - Max.)</b>	0.8 - 4.5	0.8 - 4.5
<b>ACT 390 CFM (Min. - Max.)</b>	250 - 390	250 - 390
<b>ACT 390 Sones (Min. - Max.)</b>	0.8 - 3	0.8 - 3
<b>ACT 290 CFM (Min. - Max.)</b>	250 - 290	250 - 290
<b>ACT 290 Sones (Min. - Max.)</b>	0.8 - 1.2	0.8 - 1.2
<b>FEATURES</b>		
<b>DCBL Suppression System®</b>	Yes	Yes
<b>ACT™ Technology</b>	Yes	Yes
<b>Controls</b>	Electronic LCD	Electronic LCD
<b>Speed Levels</b>	5 + Burst	5 + Burst
<b>Auto Delay-Off</b>	Yes	Yes
<b>Lighting</b>	Bloom™ HD LED, 3W x4	Bloom™ HD LED, 3W x4
<b>Dual-Level Lighting</b>	Yes	Yes
<b>Filters</b>	Aluminum Mesh x1	Aluminum Mesh x1
<b>Recirculating Option</b>	Yes	Yes
<b>Quick-Lock Installation</b>	Yes	Yes
<b>Magnetic Duct Covers</b>	Yes	Yes
<b>Extension Duct Cover Option</b>	Yes, Up to 12' Ceiling	Yes, Up to 12' Ceiling
<b>DUCT SPECIFICATIONS</b>		
<b>Vertical Internal Blower</b>	8" Round	8" Round
<b>Horizontal Internal Blower</b>	NA	NA
<b>AC POWER</b>	120V, 60Hz at Max. 4A	120V, 60Hz at Max. 4A
<b>OPTIONAL ACCESSORIES</b>		
<b>Wireless Remote Control</b>	RC-0001	RC-0001
<b>Recirculating Kit</b>	ZRC-00MD	ZRC-00MD
<b>Extension Duct Cover</b>	Z1C-00MD	Z1C-00MD
<b>Make-Up Air Kit</b>	MUA008A	MUA008A
<b>MOUNTING HEIGHT RANGE*</b>	26" - 34"	26" - 34"
<b>WARRANTY</b>	3 years parts, 1 year labor	3 years parts, 1 year labor

CEILING HEIGHT		8'	8.5'	9'	9.5'	10'	10.5'	11'	12'
STANDARD DUCT COVER	Ducted Mounting Height*	26" - 33"	26" - 34"	26" - 34"	28" - 34"	34" - 34"	NA	NA	NA
	Recirc Mounting Height*	26" - 32"	26" - 34"	26" - 34"	28" - 34"	34" - 34"	NA	NA	NA
EXTENSION DUCT COVER	Ducted Mounting Height*	NA	NA	26" - 30.5"	26" - 34"	26" - 34"	26" - 34"	26" - 34"	28" - 34"
	Recirc Mounting Height*	NA	NA	26" - 26.5"	26" - 32.5"	26" - 34"	26" - 34"	26" - 34"	28" - 34"

\*Mounting height refers to distance between top of a 36" tall cooking surface and bottom of hood.

**DCBL** SUPPRESSION SYSTEM® DCBL Suppression System® offers 77% less noise, 30% more CFM, and 77% more energy efficiency for the most advanced range hood technology.

**ACT**™ AIRFLOW CONTROL TECHNOLOGY™ (ACT™) is an exclusive feature built into specific Zephyr hoods which can limit the maximum blower CFM to meet local code requirements.

Specifications subject to change, check zephyronline.com for up-to-date information.  
Zephyr Ventilation | 2277 Harbor Bay Parkway, Alameda, CA 94502 | 888.880.VENT

JAN17.0101

