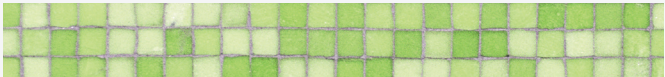
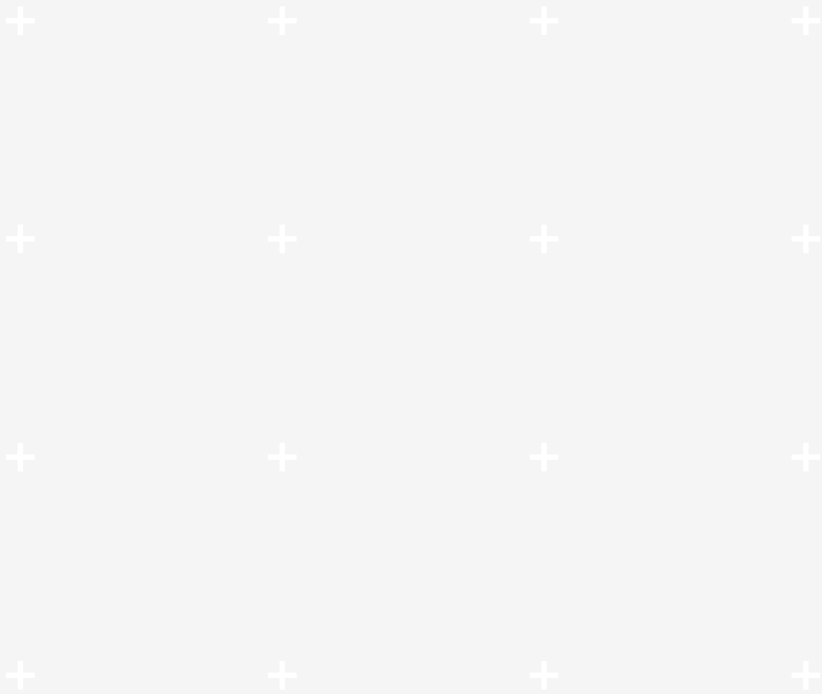
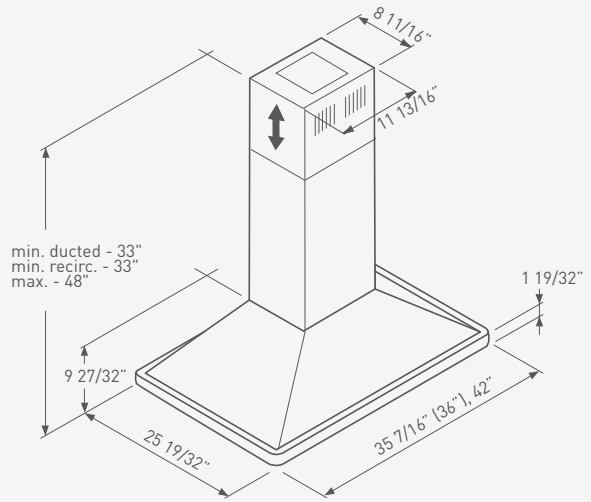


NAPOLI

We've expanded the classic, angular lines of the Venezia wall-mount design for today's professional-grade kitchen islands. Four halogens illuminate the work area below, while its inclined surfaces deliver a finished perspective to any space.



ESSENTIALS



NAPOLI

ISLAND

MODEL	ZNA-M90S	ZNA-E42S
SIZE	36"	42"
NET WIDTH	35-7/16"	42"
PERFORMANCE		
Internal Blower	715 CFM	715 CFM
Internal Blower Sones	6	6
COLOR		
Stainless Steel	SS	SS
FEATURES		
Controls	Electronic Touch	Electronic Touch
Speed Levels	6	6
Auto Delay-Off	Yes	Yes
Lighting	Halogen, 50W x 4	Halogen, 50W x 4
Dual Level Lighting	Yes	Yes
Filters	Metal Mesh x 3	Metal Mesh x 3
Recirculating	Yes	Yes
Duct Cover Extension	Yes, Up to 14' Ceiling	Yes, Up to 14' Ceiling
DUCT SPECIFICATIONS		
Internal Blower - Vertical	6"	6"
Internal Blower - Horizontal	NA	NA
AC INPUT	120V - 60Hz	120V - 60Hz
AC POWER	Max. 550W, 4.6 Amps	Max. 550W, 4.6 Amps
OPTIONAL ACCESSORIES		
Recirculating Kit	ZRC-0060	ZRC-0060
Extension Kit (up to 14' ceiling)	Z1C-00NA	Z1C-00NA

Mounting Heights (Ducted)	Min. ceiling height 8'1". Hood mounted 28" above cooking surface; 64" from floor.	Max. ceiling height 10'. Hood mounted 36" above cooking surface; 72" from floor.
Mounting Heights (Recirculating)	Min. ceiling height 8'1". Hood mounted 28" above cooking surface; 64" from floor.	Max. ceiling height 10'. Hood mounted 36" above cooking surface; 72" from floor.

