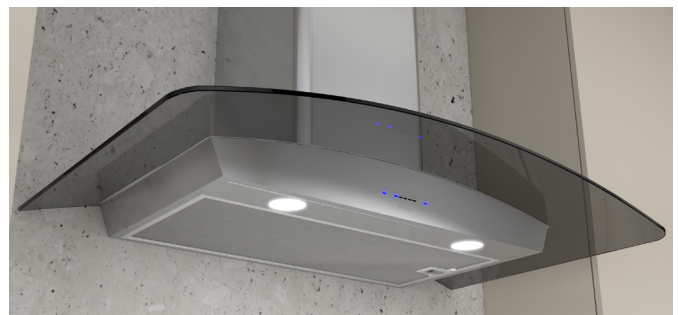


RAVENNA wall

The delicate curve of a glass canopy arching over your cooktop will add power and style to your every day cooking experience. The Ravenna combines 21st century know-how with timeless beauty—and the result is stunning. Featuring clear and smoke-gray glass canopy options, as well as ACT™ technology, ICON Touch® Controls and a versatile Recirculating Option.

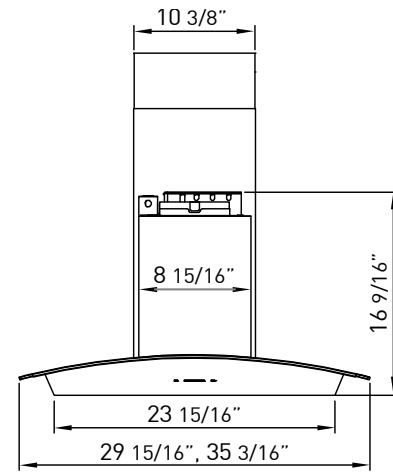
	INTERNAL BLOWER STANDARD	ACT™ INTERNAL BLOWER with AIRFLOW CONTROL TECHNOLOGY™	
Min.-Max. CFM	200 - 600	Min.-Max. CFM	200 - 390 200 - 290
Min.-Max. Sones	1 - 6	Min.-Max. Sones	1 - 4 1 - 3

ACT™ is an exclusive feature built into specific Zephyr hoods which can limit the maximum blower CFM to meet local code requirements.

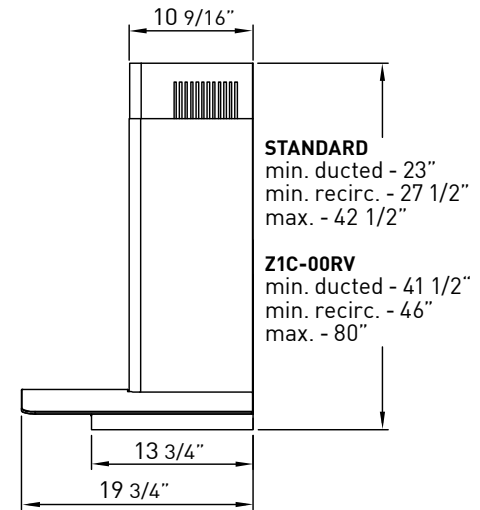


SIZE	
ZRV-E30AGC / ZRV-E30AGG	30"
ZRV-M90AGC / ZRV-M90AGG	36"
PERFORMANCE	
INTERNAL, MIN.-MAX. BLOWER CFM	200 - 600
INTERNAL, MIN.-MAX. SONES	1 - 6
COLOR	
ZRV-E30AGC / ZRV-M90AGC	SS w/ Clear Glass Canopy
ZRV-E30AGG / ZRV-M90AGG	SS w/ Smoke-Gray Glass Canopy
FEATURES	
ACT™	Yes
CONTROLS	ICON Touch®
SPEED LEVELS	5*
5 MINUTE AUTO DELAY-OFF	Yes
LIGHTING	Halogen, 50W x 2
DUAL LEVEL LIGHTING	Yes
FILTERS	Aluminum Mesh x 1
RECIRCULATING OPTION	Yes
EXTENSION DUCT COVER OPTION	Yes, Up to 12' Ceiling
DUCT SPECIFICATIONS	
VERTICAL - INTERNAL	6" Round
HORIZONTAL - INTERNAL	NA
AC POWER	
	120V, 60Hz at Max. 5A
OPTIONAL ACCESSORIES	
RECIRCULATING KIT	ZRC-00RV
EXTENSION DUCT COVER	Z1C-00RV
UNIVERSAL MAKE-UP AIR KIT	MUA006A
MOUNTING HEIGHT**	
	26" - 34"
WARRANTY	
	3 Years Parts, 1 Year Labor

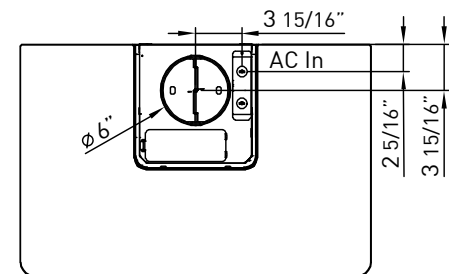
Specifications subject to change, check zephyronline.com for up-to-date information.



FRONT



SIDE



TOP

CEILING HEIGHT		8'	8.5'	9'	9.5'	10'	10.5'	11'	12'
STANDARD DUCT COVER	Ducted Mounting Height**	26"-33.5"	26"-34"	29.5"-34"	NA	NA	NA	NA	NA
	Recirc. Mounting Height**	26"-28.5"	26"-34"	29.5"-34"	NA	NA	NA	NA	NA
EXTENSION DUCT COVER	Ducted Mounting Height**	NA	NA	26"-30.5"	26" - 34"	26"-34"	26"-34"	26"-34"	28"-34"
	Recirc. Mounting Height**	NA	NA	26"-26"	26" - 32"	26" - 34"	26"-34"	26"-34"	28"-34"

*When ACT™ is enabled the maximum speed levels will change. ACT 390 CFM = 4 speeds and ACT 290 CFM = 3 speeds.

**Mounting height refers to distance between top of a 36" tall cooking surface and bottom of hood.

