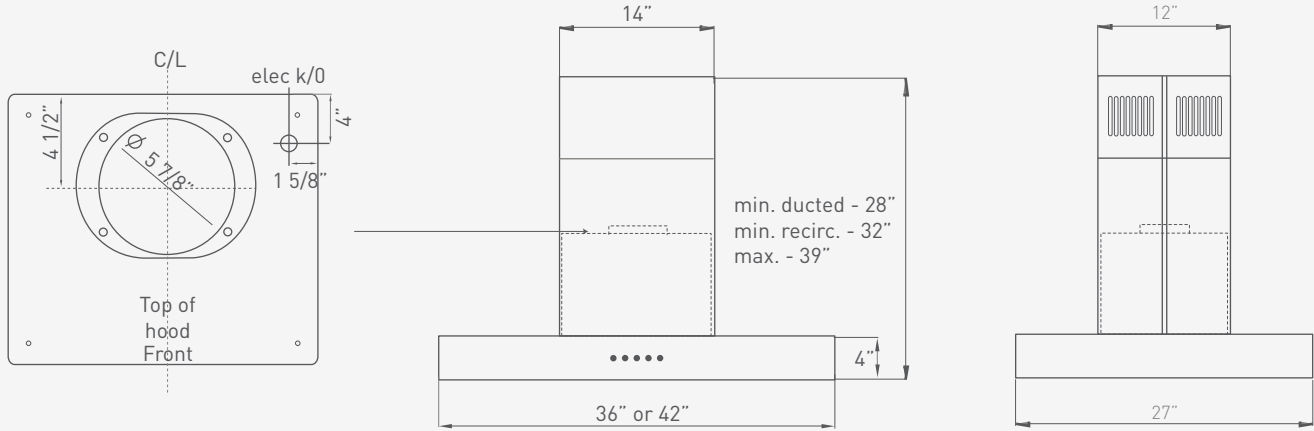


ROMA ISLAND

A sharp, angular island design as distinctively bold as the city it's named for, Roma's sleek presence is new to the Europa Collection. We worked closely with our design team to deliver exciting contemporary style and new features at a surprisingly affordable cost. The innovative quick-lock hanging system ensures one of the easiest island hood installations on the market. And the optional recirculating kit makes ductless installations a snap. Ideal for the design-savvy renovator, the high-rise developer who strives for quality, or the builder who needs mass but won't settle for mediocrity, Roma offers the best of many worlds.



ESSENTIALS



ROMA

ISLAND

MODEL	ZRM-E36AS	ZRM-E42AS
SIZE	36"	42"
NET WIDTH	36"	42"
PERFORMANCE		
Internal Blower	600 CFM	600 CFM
Internal Blower Sones	7	7
COLOR		
Stainless Steel	SS	SS
FEATURES		
Controls	Mechanical Push Button	Mechanical Push Button
Speed Levels	3	3
Auto Delay-Off	No	No
Lighting	Halogen, 50W x 4	Halogen, 50W x 4
Dual-Level Lighting	No	No
Filters	Metal Mesh x 2	Metal Mesh x 3
Recirculating	Yes	Yes
Duct Cover Extension	Yes, Up to 12' Ceiling	Yes, Up to 12' Ceiling
DUCT SPECIFICATIONS		
Internal Blower - Vertical	6"	6"
Internal Blower - Horizontal	NA	NA
AC INPUT	120V - 60Hz	120V - 60Hz
AC POWER	Max. 500W, 4.25 Amps	Max. 500W, 4.25 Amps
OPTIONAL ACCESSORIES		
Recirculating Kit	ZRC-0150	ZRC-0151
Extension Kit (up to 12' ceiling)	Z1C-00RM	Z1C-00RM
Mounting Heights (Ducted)	Min. ceiling height 7'8". Hood mounted 28" above cooking surface; 64" from floor.	Max. ceiling height 9'3". Hood mounted 36" above cooking surface; 72" from floor.
Mounting Heights (Recirculating)	Min. ceiling height 8'. Hood mounted 28" above cooking surface; 64" from floor.	Max. ceiling height 9'3". Hood mounted 36" above cooking surface; 72" from floor.

