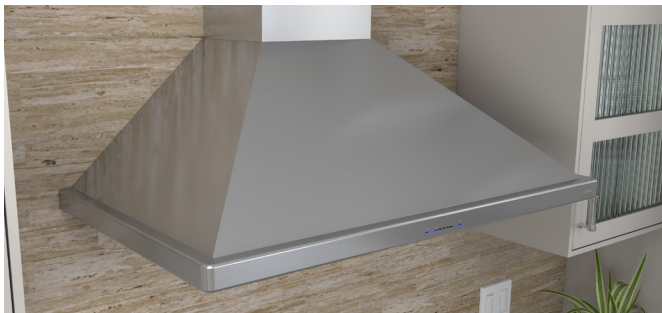


# SIENA ES wall

The Siena ES, certified **ENERGY STAR**<sup>®</sup> hood is packed with power. With a 400-CFM blower and ACT<sup>™</sup> technology this hood has a versatile range of features perfect for any kitchen. With energy-efficient, warm white fluorescent lights, an extension duct cover option and Zephyr's new ICON Touch<sup>™</sup> controls, clearing the air is as simple as the touch of a button.

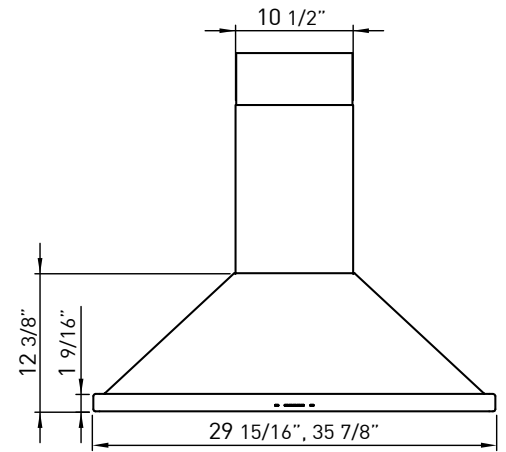
	INTERNAL BLOWER STANDARD	ACT <sup>™</sup> INTERNAL BLOWER with AIRFLOW CONTROL TECHNOLOGY <sup>™</sup>
Min.-Max. CFM	200 - 400	200 - 290
Min.-Max. Sones	1.4 - 6	1.4 - 3

*ACT<sup>™</sup> is an exclusive feature built into specific Zephyr hoods which can limit the maximum blower CFM to meet local code requirements.*

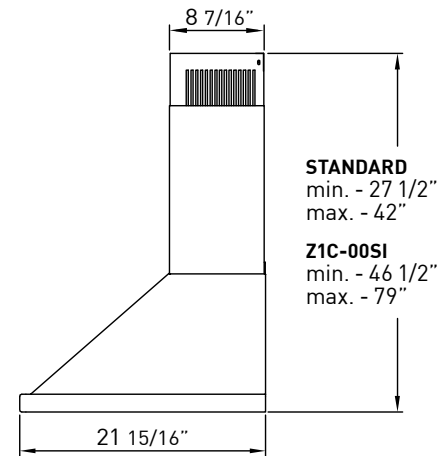


<b>SIZE</b>	
ZSI-E30AS-ES	30"
ZSI-E36AS-ES	36"
<b>PERFORMANCE</b>	
INTERNAL, MIN.-MAX. BLOWER CFM	200 - 400
INTERNAL, MIN.-MAX. SONES	1.4 - 6
<b>COLOR</b>	
STAINLESS STEEL	SS
<b>FEATURES</b>	
ENERGY STAR CERTIFIED	Yes
ACT™	Yes
CONTROLS	ICON Touch™
SPEED LEVELS	3*
5 MINUTE AUTO DELAY-OFF	Yes
LIGHTING	Fluorescent, 13W x 2
DUAL LEVEL LIGHTING	No
FILTERS	Hybrid Baffles x 2
RECIRCULATING OPTION	No
EXTENSION DUCT COVER OPTION	Yes, Up to 12' Ceiling
<b>DUCT SPECIFICATIONS</b>	
VERTICAL - INTERNAL	8" Round
HORIZONTAL - INTERNAL	NA
<b>AC POWER</b>	120V, 60Hz at Max. 1.2A
<b>OPTIONAL ACCESSORIES</b>	
EXTENSION DUCT COVER	Z1C-00SI
<b>MOUNTING HEIGHT**</b>	26" - 34"
<b>WARRANTY</b>	3 Years Parts, 1 Year Labor

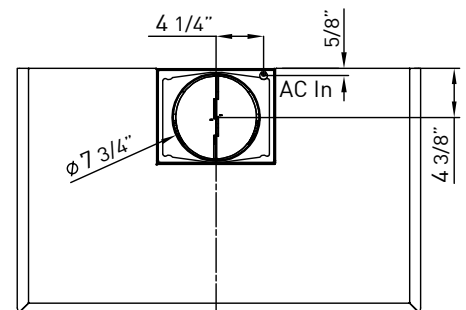
Specifications subject to change, check zephyronline.com for up-to-date information.



FRONT



SIDE



C/L

TOP

<b>CEILING HEIGHT</b>		8'	8.5'	9'	9.5'	10'	10.5'	11'	12'
<b>STANDARD DUCT COVER</b>	Ducted Mounting Height**	26"-32.5"	26"-34"	30"-34"	NA	NA	NA	NA	NA
<b>EXTENSION DUCT COVER</b>	Ducted Mounting Height**	NA	NA	NA	26"-31.5"	26"-34"	26"-34"	26"-34"	28"-34"

\*When ACT™ is enabled the maximum speed levels will change from 3 to 2.

\*\*Mounting height refers to distance between top of a 36" tall cooking surface and bottom of hood.

