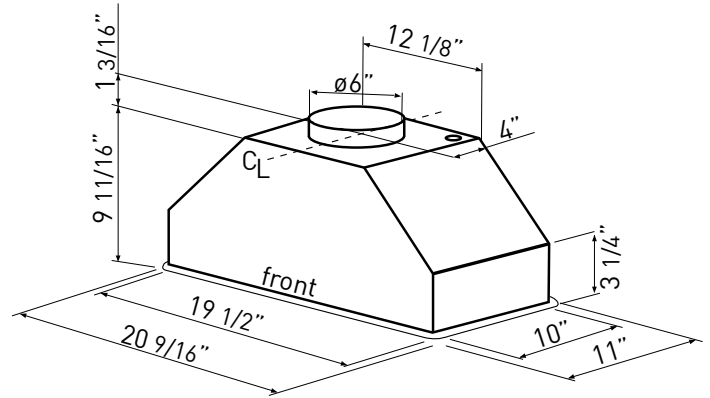
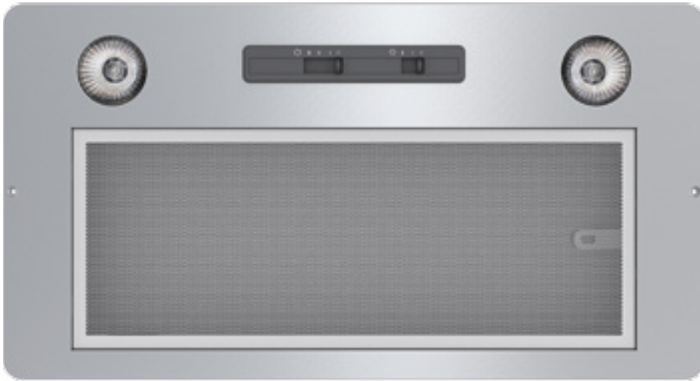


The Tornado Mini power pack was designed with cost efficiency and versatility in mind. Tornado Mini's small footprint fits under a standard 12" depth cabinet or choose one of our optional adjustable-depth stainless

steel liners to accommodate custom hood enclosures from 17-1/2" to 20-1/2" deep. Features include dual level halogen lights, an ultra-quiet blower and a recirculating option for ductless installations.



Cabinet Bottom Cut-Out Size (W x D): 19 3/4" x 10 1/4".



MODEL

Stainless Steel AK8400AS

Size

20" (20-9/16")

Blower CFM (Min. - Max.)

180 - 290

Sones (Min. - Max.)

1.3 - 3.2

FEATURES**Controls** Mechanical Slide**Speed Levels** 3**Auto Delay-Off** No**Lighting** Halogen, 35W x2**Dual-Level Lighting** Yes**Filters** Aluminum Mesh x1**Recirculating Option** Yes**DUCT SPECIFICATIONS****Vertical Internal Blower** 6" Round**Horizontal Internal Blower** NA**AC POWER** 120V, 60Hz at Max. 1.2A**OPTIONAL ACCESSORIES****30" Liner (17-1/2" - 20-1/2" Depth)** AK0840AS**36" Liner (17-1/2" - 20-1/2" Depth)** AK0846AS**Recirculating Kit** ZRC-8400A**Bloom™ GU10 LED** Z0B0040**MOUNTING HEIGHT RANGE**** 26" - 34"**WARRANTY**

3 years parts, 1 year labor

*Mounting height refers to distance between top of a 36" tall cooking surface and bottom of hood.