

ESSENTIALS

TWISTER ES

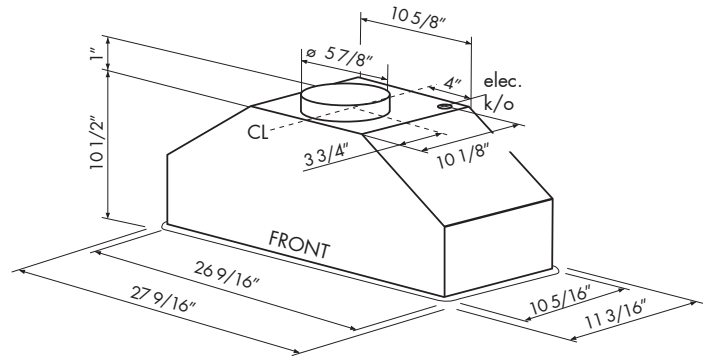
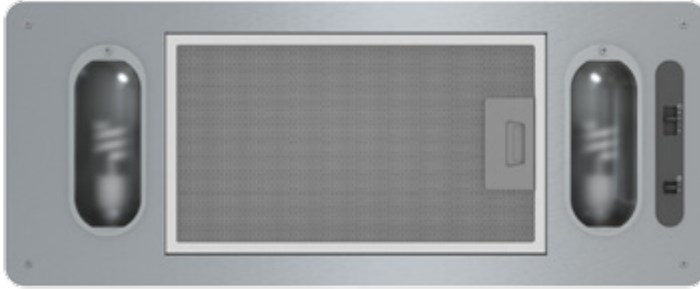
POWER PACK

The Twister ES, certified ENERGY STAR® power pack was designed with cost efficiency in mind for a solution that blends in anywhere. The 3-speed Twister ES hides the ventilation you need beneath your custom, built-in

canopy. An optional stainless steel liner extends the hood and protects your cabinetry. 290-CFM, 3-speeds, ENERGY STAR approved. Includes energy-efficient, warm white fluorescent lighting.

ZEPHYR

ZEPHYRONLINE.COM



MODEL

Stainless Steel AK8000AS-ES

Size 27" (27-9/16")**Blower CFM (Min. - Max.)** 180 - 290**Sones (Min. - Max.)** 1.6 - 3.8**FEATURES****ENERGY STAR® Certified** Yes**Controls** Mechanical Slide**Speed Levels** 3**Lighting** Fluorescent, 13W x2**Dual-Level Lighting** No**Filters** Aluminum Mesh x1**Recirculating Option** Yes**DUCT SPECIFICATIONS****Vertical Internal Blower** 6" Round**Horizontal Internal Blower** NA**AC POWER** 120V, 60Hz at Max. 1.2A**OPTIONAL ACCESSORIES****30" Liner (17-1/2" - 20-1/2" Depth)** AK0800AS**36" Liner (17-1/2" - 20-1/2" Depth)** AK0836AS**MOUNTING HEIGHT RANGE**** 26" - 34"**WARRANTY**

10 years parts, 1 year labor

*Mounting height refers to distance between top of a 36" tall cooking surface and bottom of hood.

