

Verona is topped with a straight glass canopy that also serves as an ambiance setting LED display. Select the Cloud White, Deep Blue and Amber color options to best match your kitchen's décor, or choose the Demo mode that

displays all three settings in 10-second intervals. Verona includes Zephyr's DCBL Suppression System® with Bloom™ HD LED light bulbs and LCD display controls. Now available with an optional wireless remote control.



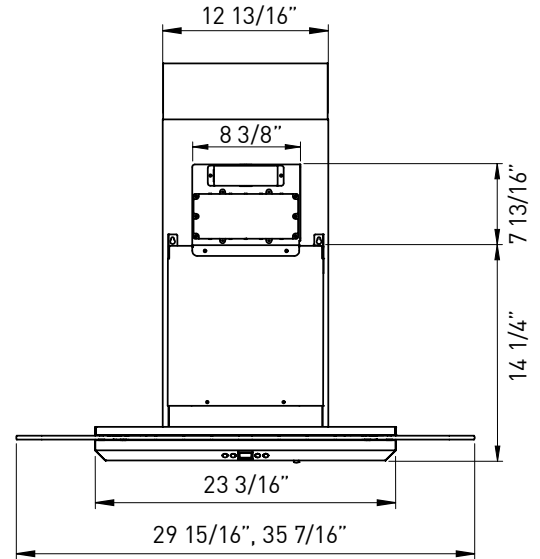
ACT™

Min. - Max. CFM	INTERNAL BLOWER STANDARD	INTERNAL BLOWER with ACT™ AIRFLOW CONTROL TECHNOLOGY™*		
	250 - 715	250 - 590	250 - 390	250 - 290
Min. - Max. Sones	0.8 - 5.8	0.8 - 4.5	0.8 - 3	0.8 - 1.2

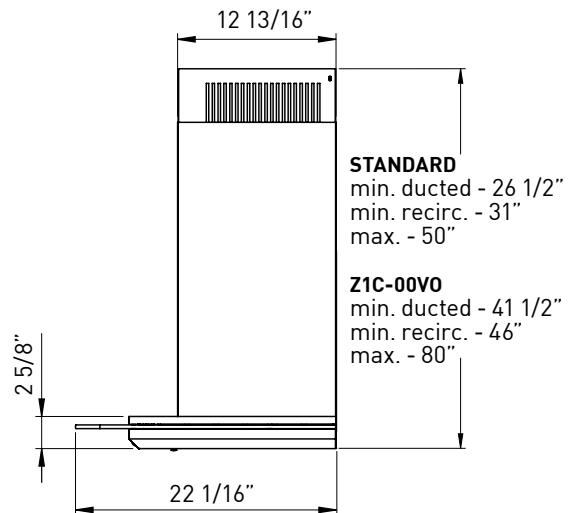
\*AIRFLOW CONTROL TECHNOLOGY™ (ACT™) is an exclusive feature built into specific Zephyr hoods which can limit the maximum blower CFM to meet local code requirements.



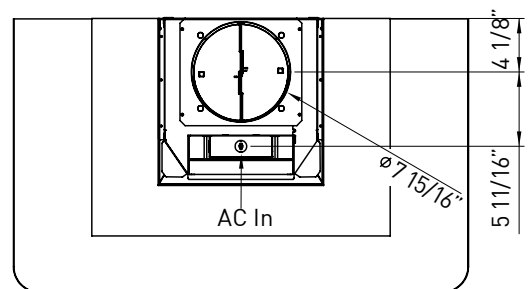
Optional Wireless Remote Control



FRONT



SIDE



TOP

**MODEL**

Stainless Steel w/ Glass canopy    ZVO-E30AG                      ZVO-M90AG

<b>Size</b>	30"	36"
<b>Blower CFM (Min. - Max.)</b>	250 - 715	250 - 715
<b>Sones (Min. - Max.)</b>	0.8 - 5.8	0.8 - 5.8
<b>ACT 590 CFM (Min. - Max.)</b>	250 - 590	250 - 590
<b>ACT 590 Sones (Min. - Max.)</b>	0.8 - 4.5	0.8 - 4.5
<b>ACT 390 CFM (Min. - Max.)</b>	250 - 390	250 - 390
<b>ACT 390 Sones (Min. - Max.)</b>	0.8 - 3	0.8 - 3
<b>ACT 290 CFM (Min. - Max.)</b>	250 - 290	250 - 290
<b>ACT 290 Sones (Min. - Max.)</b>	0.8 - 1.2	0.8 - 1.2

**FEATURES**

<b>DCBL Suppression System®</b>	Yes	Yes
<b>ACT™ Technology</b>	Yes	Yes
<b>Controls</b>	Electronic LCD	Electronic LCD
<b>Speed Levels</b>	5 + Burst	5 + Burst
<b>Auto Delay-Off</b>	Yes	Yes
<b>Lighting</b>	Bloom™ HD LED, 6W x2	Bloom™ HD LED, 6W x2
<b>Dual-Level Lighting</b>	Yes	Yes
<b>LED Illuminated Glass</b>	Yes; Cloud White, Deep Blue & Amber	Yes; Cloud White, Deep Blue & Amber
<b>Filters</b>	Aluminum Mesh x2	Aluminum Mesh x2
<b>Recirculating Option</b>	Yes	Yes
<b>Extension Duct Cover Option</b>	Yes, Up to 12' Ceiling	Yes, Up to 12' Ceiling

**DUCT SPECIFICATIONS**

<b>Vertical Internal Blower</b>	8" Round	8" Round
<b>Horizontal Internal Blower</b>	NA	NA
<b>AC POWER</b>	120V, 60Hz at Max. 4A	120V, 60Hz at Max. 4A


**OPTIONAL ACCESSORIES**

<b>Wireless Remote Control</b>	RC-0001	RC-0001
<b>Recirculating Kit</b>	ZRC-00VO	ZRC-00VO
<b>Extension Duct Cover</b>	Z1C-00VO	Z1C-00VO
<b>Make-Up Air Kit</b>	MUA008A	MUA008A

**MOUNTING HEIGHT RANGE\***    26" - 34"                      26" - 34"**WARRANTY**                      3 years parts, 1 year labor                      3 years parts, 1 year labor

<b>CEILING HEIGHT</b>		8'	8.5'	9'	9.5'	10'	10.5'	11'	12'
<b>STANDARD DUCT COVER</b>	<b>Ducted Mounting Height*</b>	26" - 33.5"	26" - 34"	26" - 34"	28" - 34"	34" - 34"	NA	NA	NA
	<b>Recirc Mounting Height*</b>	26" - 29"	26" - 34"	26" - 34"	28" - 34"	34" - 34"	NA	NA	NA
<b>EXTENSION DUCT COVER</b>	<b>Ducted Mounting Height*</b>	NA	NA	26" - 30.5"	26" - 34"	26" - 34"	26" - 34"	26" - 34"	28" - 34"
	<b>Recirc Mounting Height*</b>	NA	NA	26" - 26"	26" - 32"	26" - 34"	26" - 34"	26" - 34"	28" - 34"

\*Mounting height refers to distance between top of a 36" tall cooking surface and bottom of hood.

**DCBL**  **SUPPRESSION SYSTEM™** DCBL Suppression System® offers 77% less noise, 30% more CFM, and 77% more energy efficiency for the most advanced range hood technology.

**ACT**™ **AIRFLOW CONTROL TECHNOLOGY™ (ACT™)** is an exclusive feature built into specific Zephyr hoods which can limit the maximum blower CFM to meet local code requirements.

Specifications subject to change, check zephyronline.com for up-to-date information.  
Zephyr Ventilation | 2277 Harbor Bay Parkway, Alameda, CA 94502 | 888.880.VENT

AUG15.0101

