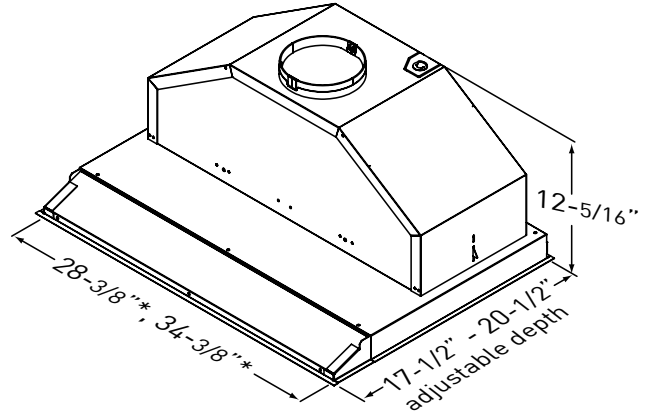


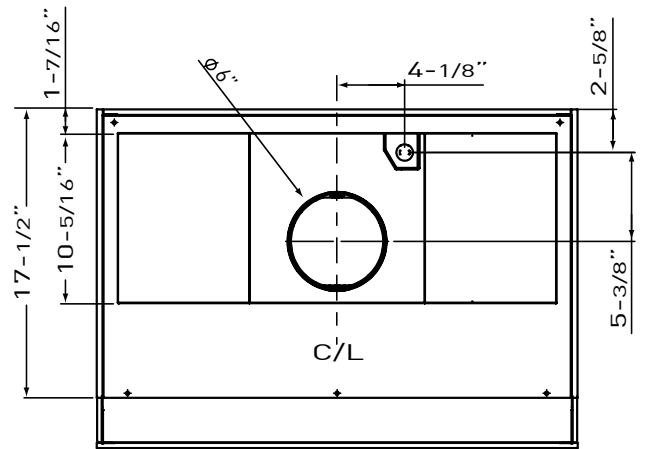
The Vortex ES, certified ENERGY STAR® one-piece liner leads the way with the industry's only adjustable-depth installation. Vortex ES is designed to extend up to 3 inches towards the front of the custom hood canopy so

you can install it in spaces up to 20-1/2" deep.

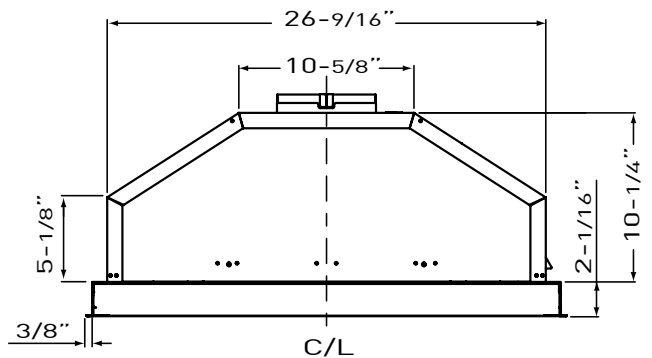


*dimensions do not include 3/8" wide flange around the liner

FRONT



TOP



BACK

| MODEL | | |
|-----------------------------------|-----------------------------|-----------------------------|
| Stainless Steel | AK9028AS-ES | AK9034AS-ES |
| <hr/> | | |
| Size | 28-3/8" (30") | 34-3/8" (36") |
| Blower CFM (Min. - Max.) | 170 - 290 | 170 - 290 |
| Sones (Min. - Max.) | 1.3 - 3.5 | 1.3 - 3.5 |
| <hr/> | | |
| FEATURES | | |
| ENERGY STAR® Certified | Yes | Yes |
| Controls | Mechanical Slide | Mechanical Slide |
| Speed Levels | 3 | 3 |
| Auto Delay-Off | No | No |
| Lighting | Fluorescent, 13W x2 | Fluorescent, 13W x2 |
| Dual-Level Lighting | No | No |
| Filters | Hybrid Baffle x1 | Hybrid Baffle x1 |
| Recirculating Option | No | No |
| Adjustable Depth | Yes | Yes |
| <hr/> | | |
| DUCT SPECIFICATIONS | | |
| Vertical Internal Blower | 6" Round | 6" Round |
| Horizontal Internal Blower | NA | NA |
| AC POWER | 120V, 60Hz at Max. 1.2A | 120V, 60Hz at Max. 1.2A |
| <hr/> | | |
| MOUNTING HEIGHT RANGE* | 26" - 34" | 26" - 34" |
| <hr/> | | |
| WARRANTY | 3 years parts, 1 year labor | 3 years parts, 1 year labor |

*Mounting height refers to distance between top of a 36" tall cooking surface and bottom of hood.

