

ARC COLLECTION
CHENG COLLECTION
ESSENTIALS

ZEPHYR

discover zephyr

We're driven by the idea that everything in the home is an opportunity for personal expression. That's why we've raised the kitchen hood to its rightful place as a distinctive design element that also delivers powerful ventilation performance.

You'll discover exciting collections in these pages that not only surprise your eye but transform your notion of what a kitchen hood can be.

And to take our vision ever higher, we work with some of the world's best designers—those who find constant inspiration in the world around them and whose belief in everyday beauty inspires their unrivaled collections.

As exciting as our ventilation products are, you'll see we offer so much more. In fact, we're best known for our unparalleled dedication to customer satisfaction and a passion for continuous improvement.

Look beyond the expected and together, we'll discover new possibilities.

what's inside

Begin your journey into our three collections with the product overview pages listed below. Then find detailed sizing specifications for your hood of choice in the “specifications in detail” section on pages 35 to 47.

ARC COLLECTION

Arc Collection's sleek, minimalist aesthetic is as much about clean air as it is about clean lines in range hood design.

Plane	6
Layers Island & Layers Wall	7
Horizon	8
Duo Island & Surface Island	9
Duo Wall & Edge	10
Surface Wall & Tilt	11
Customization	12

CHENG COLLECTION

Fu-Tung Cheng has inspired millions with ideas that ascend to greater heights of beauty and design.

Padova	14
Shade & Okeanito	15
Trapeze Island & Cache	16





ESSENTIALS (Europa, Power, Outdoor & Breeze Series)

The powerful features of the three Essentials lines make cooking more enjoyable and give you the most for your money.

Torino & Roma Island	18
Milano (G) Island & Milano (S) Island	19
Napoli Island & Torino Wall	20
Anzio & Venezia	21
Firenze & Palermo	22
Milano (G) & Milano (S)	23
Savona & Roma Wall	24
Tamburo & Pyramid	25
Genova & Sorrento	26
Tempest I & Tempest II	27
Typhoon & Hurricane	28
Cyclone & Whirlwind	29
Twister & Tornado I	30
Tornado II & Tornado III	31
ES1	32
Cypress & Willow	33
Breeze I & Breeze II	34

SPECIFICATIONS IN DETAIL

ICON KEY

 blower type	 CFM
 duct size	 noise level



ARC › ZEPHYR
COLLECTION

arc collection



PURE GEOMETRY. QUIET PERFORMANCE. CLEANAIR.

We get it. You don't compromise on your home. Your cuisine. Your decor. And there will be no compromise on your range hood. That's our vision. Working together with industrial designer Robert Brunner, we've paired elegantly minimalist structures with groundbreaking engineering to write a new chapter in range hood design—one that's as much about clean air as it is about clean lines.

EXCEPTIONAL FEATURES UNIQUE TO THE ARC COLLECTION

- **CLEANAIR** puts indoor air quality first with quiet, automatic air refreshes at regular daily intervals
- **CUSTOM DESIGN OPTIONS** for glass surface colors, patterns and fine woods (see details on page 12)
- **SLEEK MEMORY TOUCH GLASS CONTROLS**, remote control and tri-level halogen lighting
- **FIVE-MINUTE AUTO DELAY-OFF**
- **COMPREHENSIVE BLOWER OPTIONS:**
 - 600-CFM internal blower
 - 1000-CFM in-line or external blower
 - Optional recirculating kit for ductless venting
 - A 290-CFM blower for balance and energy savings in well-insulated homes



An ingenious remote control device, worthy of the finest countertops, commands power and light from up to fifteen feet away.

PLANE wall APN-M90ABX, APN-M90AWX

A steep incline of intersecting planes from designer Robert Brunner, this range hood makes a powerfully simple geometric statement—uniquely understated, but never hiding.

SIZE: 36"



	<table border="0"> <tr> <td style="border-right: 1px solid black; padding-right: 5px;">internal</td> <td style="padding: 0 5px;"> </td> <td style="padding: 0 5px;">290, 600 CFM</td> </tr> <tr> <td style="border-right: 1px solid black; padding-right: 5px;">external</td> <td style="padding: 0 5px;"> </td> <td style="padding: 0 5px;">1000 CFM</td> </tr> <tr> <td style="border-right: 1px solid black; padding-right: 5px;">in-line</td> <td style="padding: 0 5px;"> </td> <td style="padding: 0 5px;">1000 CFM</td> </tr> </table>	internal		290, 600 CFM	external		1000 CFM	in-line		1000 CFM	<table border="0"> <tr> <td style="border-right: 1px solid black; padding-right: 5px;">6"</td> <td style="padding: 0 5px;"> </td> <td style="padding: 0 5px;">6"</td> </tr> <tr> <td style="border-right: 1px solid black; padding-right: 5px;">8"</td> <td style="padding: 0 5px;"> </td> <td style="padding: 0 5px;">8"</td> </tr> <tr> <td style="border-right: 1px solid black; padding-right: 5px;">8"</td> <td style="padding: 0 5px;"> </td> <td style="padding: 0 5px;">8"</td> </tr> </table>	6"		6"	8"		8"	8"		8"	
internal		290, 600 CFM																			
external		1000 CFM																			
in-line		1000 CFM																			
6"		6"																			
8"		8"																			
8"		8"																			

- Select black or white glass on stainless steel
- Underscore the contemporary profile with a trio of halogen lamps

LAYERS island ALL-M90ABX, ALL-M90AWX, ALL-E42ABX, ALL-E42AWX

Robert Brunner's bold re-imagining of a classic island range-hood form is a streamlined fusion of glass and stainless steel that lends new meaning to leading edge.

SIZES: 36", 42"



	internal	cfm 290, 600 CFM 1000 CFM 1000 CFM		6" 8" 8"	3.2, 6
	external				
	in-line				

- Select black or white glass layered on stainless steel
- Slim profile and quartet of halogens enhance the floating effect
- Optional duct cover extensions accommodate contemporary loft-style ceilings of up to 12 feet

LAYERS wall ALA-M90ABX, ALA-M90AWX, ALA-E42ABX, ALA-E42AWX

A streamlined fusion of black or white glass and stainless steel form the eponymous layers in Robert Brunner's re-imagining of a classic range-hood form.

SIZE: 36", 42"



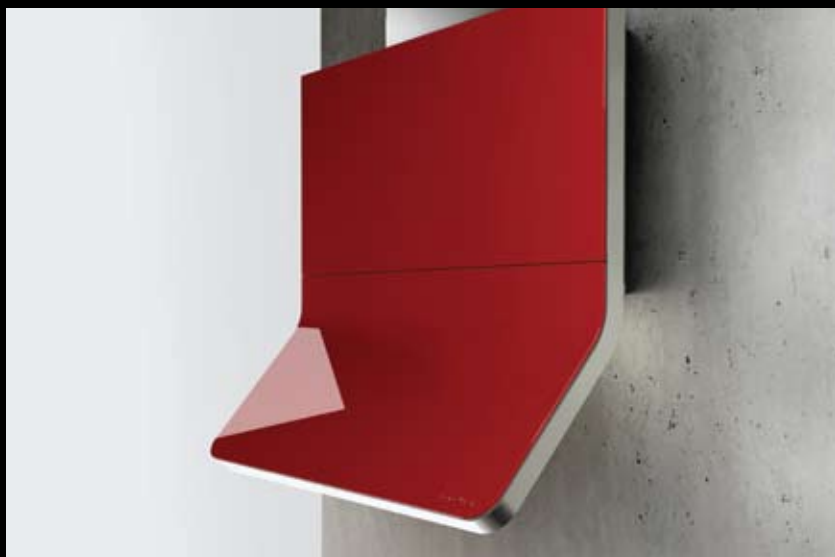
	internal	cfm 290, 600 CFM 1000 CFM 1000 CFM		6" 8" 8"	3.2, 6
	external				
	in-line				

- Select black or white glass layered on stainless steel
- Slim profile and pair of halogens enhance the floating effect unique to this wall-mount hood
- Convenience and indoor air quality come first with five-minute auto delay-off and CleanAir

HORIZON wall AHZ-M90ABX, AHZ-M90ARX, AHZ-M90AWX

A dramatic, low-profile freefall just inches from the kitchen wall sweeps upward in a thirty-degree lift. So begins Robert Brunner's new-minimalist range hood with enticing customization options.

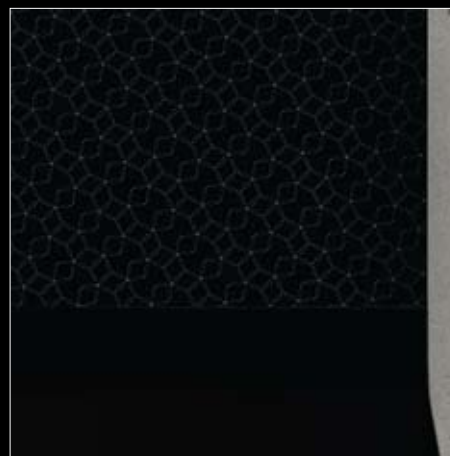
SIZE: 36"



	internal	cfm 290, 600 CFM ----- 1000 CFM ----- 1000 CFM		6" ----- 8" ----- 8"	 3, 2, 6
	external				
	in-line				

- Choose striking red, black or white glass on stainless steel
- Select etched patterns—a leaf motif on white glass or flower on black glass—applied to the removable front panel that doubles as easy blower access
- Complete the picture with a duo of halogens

*Also available in 6" round internal horizontal ducting option.



DUO island ADL-M90ASX, ADL-E42ASX

Ideal for those who welcome the warmth of wood into their contemporary home, Duo is an island range hood that marries natural wood with the cool factor of stainless steel.

SIZES: 36", 42"



	internal	cfm	290, 600 CFM		6"		3.2, 6
	external		1000 CFM		8"		
	in-line		1000 CFM		8"		

- Complement your cabinetry in a charcoal or wenge finish on poplar wood or a low-profile steel-only option
- Dual pairs of halogens underscore the cantilevered design
- Optional duct cover extensions accommodate contemporary loft-style ceilings of up to 12 feet

SURFACE island ASL-E42ASX, ASL-E48ASX

No angles here. Just clean, straight lines bisected by a slim plane of transparent gray glass, for minimalism with great depth and contrast.

SIZES: 42", 48"



	internal	cfm	290, 600 CFM		6"		3.2, 6
	external		1000 CFM		8"		
	in-line		1000 CFM		8"		

- Dark glass always lends drama to the contemporary stainless steel kitchen
- Four halogen lights illuminate the activity on the surface below

DUO wall ADU-M90ASX

A visionary duo of materials marries the warmth of wood with the cool factor of stainless steel in a completely fresh—and welcome—creation for the contemporary kitchen.

SIZES: 36"



	internal	cfm	290, 600 CFM		6"		3, 2, 6
	external		1000 CFM		8"		
	in-line		1000 CFM		8"		

- Select charcoal or wenge finish on poplar wood to complement your cabinetry, or a low-profile steel-only option
- Choose wood in either 5/8" or 1 5/8" profile height
- Dual halogens highlight the work below

EDGE wall AED-M90ASX

Dimensionality gets an edge with this seamlessly finished, beveled stainless steel canopy, inspired by a wing's distinctive airfoil shape and perfectly befitting a ventilation device.

SIZE: 36"



	internal	cfm	290, 600 CFM		6"		3, 2, 6
	external		1000 CFM		8"		
	in-line		1000 CFM		8"		

- Select charcoal or wenge finish in poplar wood to complement your cabinetry, or a low-profile steel-only option
- Choose wood in either 5/8" or 1 5/8" profile height
- Integrated black glass controls, twin halogen lights and stainless steel filters lend a decidedly professional air

SURFACE wall ASU-M9OASX, ASU-E42ASX

For minimalism with depth and contrast, dark glass always lends drama to the contemporary stainless steel kitchen. No angles here. Just clean, straight lines.

SIZE: 36", 42"



	internal	cfm $\frac{290, 600 \text{ CFM}}{1000 \text{ CFM}}$ $\frac{1000 \text{ CFM}}{1000 \text{ CFM}}$		$\frac{6''}{8''}$ $\frac{8''}{8''}$	 3,2,6
	external				
	in-line				

- Stainless steel chimney bisected by a slim plane of transparent gray glass
- Dual halogen lights illuminate the activity on the surface below

TILT wall ATI-M9OABX, ATI-M9OASX

A contemporary sculpture for the kitchen, Tilt's sextet of subtly angled panels meet in a layered array to form a hinged range-hood canopy like no other.

SIZES: 36"



	internal	cfm $\frac{290, 600 \text{ CFM}}{1000 \text{ CFM}}$ $\frac{1000 \text{ CFM}}{1000 \text{ CFM}}$		$\frac{6''}{8''}$ $\frac{8''}{8''}$	 3,2,6
	external				
	in-line				

- Clad in your choice of all-stainless steel or stainless underscored with a sleek, black powder coat
- Front panel lifts for convenient blower access
- A duo of halogen lamps provide the perfect accent to this powerful statement

*Also available in 6" round internal horizontal ducting option.

ARC COLLECTION CUSTOM DESIGN OPTIONS

Glass. Steel. Wood. And air. Minimalism is more than a box. It's elemental. And it doesn't have to be all right angles. That's the inspiration behind our newest collection: simple geometry organized in exciting new ways. And classic materials crafted to afford a host of customization options that give homeowners, designers and contractors unprecedented flexibility.

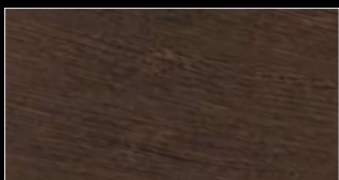
FINE WOOD OPTIONS

Select poplar wood in charcoal or wenge finish to complement your cabinetry, or a low-profile steel-only option (Note: wood attachments have separate model numbers from hoods).



CHARCOAL FINISH

DUO ISLAND - AUW-OOCH (1 5/8", 90cm), AUW-O1CH (1 5/8", 42")
DUO WALL - AEW-OOCH (5/8"), ADW-OOCH (1 5/8")
EDGE WALL - AEW-OOCH (5/8"), ADW-OOCH (1 5/8")

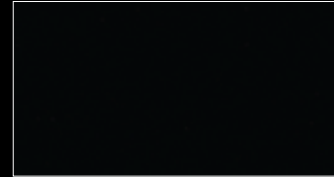


WENGE FINISH

DUO ISLAND - AUW-OOBR (1 5/8", 90cm), AUW-O1BR (1 5/8", 42")
DUO WALL - AEW-OOBR (5/8"), ADW-OOBR (1 5/8")
EDGE WALL - AEW-OOBR (5/8"), ADW-OOBR (1 5/8")

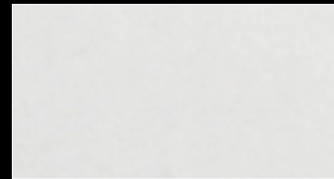
GLASS SURFACE OPTIONS

Select black, white or striking red glass on stainless steel.



BLACK GLASS

PLANE WALL - APN-M9OABX
LAYERS WALL - ALA-M9OABX (36"), ALA-E42ABX (42")
LAYERS ISLAND - ALL-M9OABX (36"), ALL-E42ABX (42")
HORIZON WALL - AHZ-M9OABX



WHITE GLASS

PLANE WALL - APN-M9OAWX
LAYERS WALL - ALA-M9OAWX (36"), ALA-E42AWX (42")
LAYERS ISLAND - ALL-M9OAWX (36"), ALL-E42AWX (42")
HORIZON WALL - AHZ-M9OAWX



RED GLASS

HORIZON WALL - AHZ-M9OARX

ETCHED PATTERN OPTIONS

Select etched patterns—a leaf motif on white glass, flowers on black glass—on the removable front panel



LEAF PATTERN

HORIZON WALL - AHG-OOWH



FLOWER PATTERN

HORIZON WALL - AHG-OOBL

ZEPHYR
CHENG COLLECTION
for living ideas

cheng collection



REACHING GREATER HEIGHTS IN BEAUTY AND DESIGN

At Zephyr, great design is never an afterthought or a luxury. It's a way of life. That's why we've partnered with world-renowned designer Fu-Tung Cheng to create a visionary collection that fuses elegant design with powerful performance.

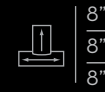
Each Cheng Collection hood is designed to complement today's most prestigious cooking ranges with distinctive features you won't find in any other hood collection:

- A marriage of professional-grade hood performance with designer aesthetic
- Customizable options that enhance your personal style
- A choice of internal or external blowers
- Up to three adjustable fan speeds

PADOVA wall CPA-E42ASX, CPA-E48ASX, CPA-E54ASX

The world's first customizable range hood is ready for the materials of your choice. So whether you prefer mosaic tile, ribbed glass, copper, zinc, stainless steel or the infinite possibilities of Italian or Japanese plaster, you will have a hand in making Padova a signature addition to any home.

SIZES: 42", 48", 54"



- Create your own custom canopy using colors and materials that coordinate with any kitchen design
- Or choose from our own collection of plasters in cayenne, cocoa and green tea, or veneers in stainless steel and copper to match your kitchen appliances
- Ribbed glass side panels set the mood with gentle ambient light to complement the dual-level halogens used when cooking

*Also available with horizontal 8" and 3 1/4" x 10" options.

SHADE wall CSH-E36SX, CSH-E42SX, CSH-E48SX

Shade fuses Cheng's drive for expression with his playful ingenuity to create a customizable, hinged canopy that tucks away on the chef's night off.

SIZES: 36", 42", 48"



	internal	cfm 290,600 CFM 1000 CFM 1000 CFM		6" 8" 8"	 3,2,7
	external				
	in-line				

- Accessorize your look with interchangeable steel or bamboo front panels, or select your own materials of choice, to create the Shade of your dreams
- The hinged canopy hides away when not in use to open your space

OKEANITO wall COK-E36SX, COK-E42SX, COK-E48SX

Cheng's vision of an ocean wave marries fluid lines with a thoroughly modern design.

SIZES: 36", 42", 48"



	internal	cfm 290,600 CFM 1000 CFM 1000 CFM		6" 8" 8"	 3,2,7
	external				
	in-line				

- Bring a glow to your kitchen with gentle, ambient light streaming through perforated side panels
- Illuminate your cooking area with dual-level directional halogen lighting

TRAPEZE island CTP-E48SX, CTP-E54SX, CTP-E60SX

The first island hood in the collection, this light and graceful structure seems to hover in midair—a refreshing departure from the bulky status quo.

SIZES: 48", 54", 60"



	internal	cfm 290, 600 CFM 1000 CFM 1000 CFM		6" 8" 8"	 3.2, 7
	external				
	in-line				

- Make a statement with the elegant, curvilinear design
- Illuminate your cooking area with directional halogen lighting

CACHE under-cabinet CCA-E30ASX, CCA-E36ASX, CCA-E48ASX

This stylish hood eschews clutter and infuses your kitchen with ordered elegance. Beneath the sweeping hood and signature utensil rail, Cache hides a spacious storage compartment.

SIZES: 30", 36", 48"



	internal	cfm 290, 600 CFM 1000 CFM 1000 CFM		6" 8" 8"	 3.2, 7
	external				
	in-line				

- The collection's first under-cabinet design offers simplicity and practicality
- Herbs, spices and culinary devices are all within reach and yet out of sight

*Also available with horizontal 3 1/4" x 10" option.

essentials

ESSENTIALS

ZEPHYR

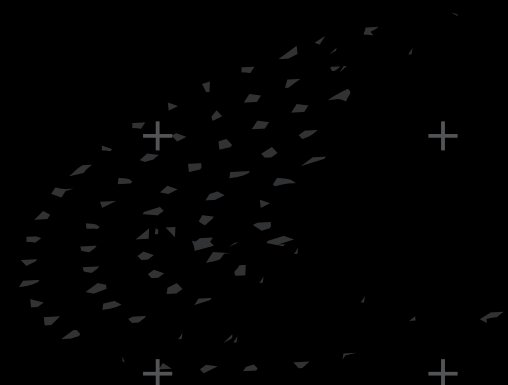
+ + +

+ + +

+ + +

+ + +

+ + +







TORINO island ZTR-M90S

Torino's frosted green, glass island canopy is sure to turn a few heads and was inspired by the simple elegance of the martini glass.

SIZE: 36"



 internal
  715 CFM
  6"
  6

- Sculpted glass lends a free-form look to today's contemporary kitchen
- Touch-sensitive controls and infrared remote adjust the 6-speed internal blower and lights

ROMA island ZRM-E36BS, ZRM-E42BS

The innovative Quick-Lock installation system can have Roma installed in as little as 20 minutes. Roma is ideal for the design-savvy renovator or the builder who won't settle for mediocrity.

SIZES: 36", 42"



 internal
  290, 600 CFM
  6"
  1.4 - 2.8, 1.8-6

- Roma's quick-lock hanging system ensures one of the easiest island-hood installations on the market
- A quartet of halogens illuminates the island below
- Optional duct extension kit for ceilings up to 12 feet

MILANO (G) island ZML-M9OAG, ZML-E42AG

A hand-formed glass canopy, touch-sensitive controls, adjustable lighting and powerful blowers deliver high style without compromise.

SIZES: 36", 42"



internal | 715 CFM | 6" | 6

- Natural light shines through at the center of the kitchen
- Quick-locking mounting system ensures one of the easiest island-hood installations on the market

MILANO (S) island ZML-M9OAS, ZML-E42AS

A wing-like, Deco-inspired stainless steel canopy puts a sheen on premium features like touch-sensitive controls and high-performance blowers.

SIZES: 36", 42"



internal | 715 CFM | 6" | 6





- A contemporary presence that's ideal for today's all-stainless kitchens
- Quick-locking mounting system ensures one of the easiest island-hood installations on the market

NAPOLI island ZNA-M90S, ZNA-E42S

Napoli expands the classic, angular lines found on our Venezia wall-mounted hoods to form a perfect island hood for today's professional-grade kitchen.

SIZES: 36", 42"



 internal
  715 CFM
  6"
  6





- Four halogens illuminate the tasks at hand
- Sleek, inclined surfaces add a polished look to any kitchen

TORINO wall ZTO-M79S

Inspired by the simple elegance of the martini glass, Torino's frosted green glass canopy is sure to turn a few heads.

SIZE: 31"



 internal
  715 CFM
  6"
  6

- Sculpted glass lends a free-form look to today's contemporary kitchen
- Touch-sensitive controls adjust the 6-speed internal blower and lights

ANZIO wall ZAN-E30AS, ZAN-M90AS

At home in traditional or contemporary kitchens, Anzio is a low-profile hood that adds style and value to any kitchen. Anzio is the perfect hood for individual and builder projects.
SIZES: 30", 36"



internal | 290, 600 CFM | 6" | 1.4 - 2.8, 1.8 - 6

- Ultra-quiet 600-CFM blower
- Electronic LED controls
- Telescopic ducting up to 9.5' standard, optional ducting available up to 12'

VENEZIA wall ZVE-E30AS, ZVE-E36AS, ZVE-E42AS

With clean, classic lines ascending skyward, this popular hood fits large and small kitchens alike.
SIZES: 30", 36", 42"



internal | 715 CFM | 6" | 6

- Optional stainless steel back splash accentuates the contemporary lines of the hood
- A quartet of dual-level halogens illuminates the work below (30" model houses twin dual-level halogen lights)

FIRENZE wall ZFI-M90S

Clean, architectural lines ascend in layers to make a powerfully simple statement in the contemporary kitchen.

SIZE: 36"



 internal
  715 CFM
  6"
  6


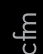


- Firenze's suspended surfaces do double duty as spice shelves or display areas
- Make a minimalist statement that speaks volumes about the taste and refinement of the chef

PALERMO wall ZPA-M90S

Palermo's striking angles and elegant curves form the perfect fit, ideal for today's gas ranges.

SIZE: 36"



 internal
  715 CFM
  6"
  6

- Bring big style to small spaces with this sleek, compact design
- Get visual drama at a drama-free price

MILANO (G) wall ZMI-M90AG

A hand-formed glass canopy, touch-sensitive controls, adjustable lighting and powerful blowers deliver maximum style without compromise.

SIZE: 36"

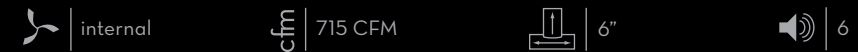


- Natural light shines through to keep your kitchen light and airy
- Lighting and high-performance blowers adjust with a touch

MILANO (S) wall ZMI-M90AS

A wing-like, deco-inspired stainless steel canopy puts a sheen on premium features like touch-sensitive controls and high-performance blowers.

SIZE: 36"







- A contemporary presence ideal for today's all-stainless kitchens
- Lighting and high-performance blowers adjust with a touch

SAVONA wall ZSA-E3OBS, ZSA-M9OBS

Savona's semi-circular surfaces accentuate this hood's European design. The ultra-quiet and robust 685-CFM blower makes Savona a must have. Three-speed LED electronic controls take Savona to an elite level.

SIZES: 30", 36"



 internal
  290, 685 CFM
  6"
  1.4 - 2.8, 1.8-6





- Three adjustable speed levels give you the ventilation power you need. Also available in black.
- Dual halogen lamps illuminate the cooking surface below
- Upgraded LED electronic controls

ROMA wall ZRO-E3OBS, ZRO-M9OBS

Roma's contemporary design is complemented by upgraded 3-speed electronic LED controls. Its 600-CFM fan operates at an ultra quiet 1.8 sones while on normal working speed.

SIZES: 30", 36"



 internal
  290, 600 CFM
  6"
  1.4 - 2.8, 1.8-6

- Beautify the kitchen without breaking the bank
- Optional recirculation kit for ductless installations
- Upgraded LED electronic controls

TAMBURO under-cabinet ZTA-E30AS, ZTA-E36AS

We've thrown a major curve to the typical under-cabinet configuration with a fresh approach that's designed to fit your life.

SIZES: 30", 36"



internal | 290, 400 CFM | 7", 3 1/4" x 10" | 3.2, 5

- An adjustable utility bar keeps larger cooking utensils within reach—right above the cooking surface
- Easy-glide controls put you in charge of flexible halogen lighting and three-speed ventilation

PYRAMID under-cabinet ZPY-E30A(B,W,S), ZPY-E36A(B,W,S)

Classic architectural lines meet at an apex to energize and refresh the familiar look of the chimney-style, under-cabinet hood.

SIZES: 30", 36"



internal | 290, 400 CFM | 7", 3 1/4" x 10" | 3.2, 5

- Suit yourself—and your space—with an adjustable back-panel utility bar
- Choose a color that matches your kitchen's mood—white, black or stainless steel

GENOVA under-cabinet ZGE-E30AS, ZGE-E36AS

Genova's crescent-like body delivers stunning design and performance. Its retractable visor puts control at your fingertips requiring just a pull of the visor to operate the hood.

SIZES: 30", 36"



 internal
  290, 500 CFM
  6"
  1.4-2.8, 1.7 - 5.3





- Three-speed electronic controls with optional wireless remote control
- Dual-level halogen light bulbs
- Optional recirculating kit

SORRENTO downdraft DD1-E30AS, DD1-E36AS

At the press of a button, Sorrento rises to the occasion with a stylish, brushed stainless steel filter housing that's easy to clean and quietly clears the air with efficient centrifugal blowers.

SIZES: 30", 36"



 internal
  500 CFM
  3 1/4" x 10"
  NA

- An automatic heat sensor adjusts blowers in high-heat conditions
- The press of a button lets you conveniently raise and lower Sorrento

TEMPEST I under-cabinet AK7000AS, AK7036AS, AK7042AS

A streamlined, under-cabinet pro-style range hood, Tempest I combines power, efficiency and flexibility with 600 or 1100 CFM blower options and a new recirculating kit option for kitchens that require ductless venting.

SIZES: 30", 36", 42"



internal
cfm | 600 CFM / 1100 CFM
6" / 8"
6

- Dishwasher-safe, high-airflow baffle filters and an optional heat lamp kit enhance the professional-grade aesthetic
- Multiple internal blower and recirculation options meet the most powerful and diverse ventilation needs

TEMPEST II wall AK7500ASX, AK7536ASX, AK7548ASX

Redesigned with professional-grade performance and seamless contours, Tempest II offers the advanced features of the under-cabinet Tempest I, plus up to three blower options.

SIZES: 30", 36", 48"



internal, dual
external
in-line
cfm | 290, 600, 1100 CFM / 1000 CFM / 1000 CFM
6", 10" / 10" / 10"
3.2, 8





- Dishwasher-safe, high-airflow baffle filters and optional heat lamp kit satisfy the most demanding chefs
- New ducting options are available to meet nearly any spec

TYPHOON under-cabinet AK2100A, AK2136A, AK2142A, AK2148A

Typhoon abandons the usually strict geometry of the under-cabinet range hood for a curvier, sophisticated look.

SIZES: 30", 36", 42", 48"



 internal
  850 CFM
  7", 3 1/4" x 10"
  5





- Pump up the volume with powerful, virtually noise-free 850-CFM blowers
- Centrifugal blowers liquefy cooking residue to make cleaning a snap
- Match your kitchen's mood with white, black or stainless steel finishes

HURRICANE under-cabinet AK2500, AK2536

High tech meets high style with a clutter-free hood—in black, white or stainless steel—that fits under the cabinet.

SIZES: 30", 36"



 internal
  695 CFM
  6", 3 1/4" x 10"
  5.5





- Sensitive touch-controls take charge of the three-speed blowers
- Centrifugal blowers liquefy cooking residue to make cleaning a snap
- Dual-level halogen lights and a time delay-off function make life in the kitchen a little bit easier

CYCLONE under-cabinet AK6500, AK6536, AK6542

Clean, simple lines complement any interior, while smart engineering ensures cleanup and maintenance are a snap.

SIZES: 30", 36", 42"



 internal
  650 CFM
  6", 3 1/4" x 10"
  5





- With three sizes and three ducting options, this is one of our most versatile models
- Centrifugal blowers liquefy cooking residue to make cleaning a snap
- Take your choice of stainless steel, white, bisque or black finishes

WHIRLWIND under-cabinet AK9800, AK9836

One of the slimmest under-cabinet range hoods available, Whirlwind is both sleek and powerful and also promises something special: more space.

SIZES: 30", 36"



 internal
  525 CFM
  6"
  5.5





- Lighten up with a space-saving hood design
- Centrifugal blowers liquefy cooking residue to make cleaning a snap
- Simple style suits just about any kitchen

TWISTER power pack AK8000AS

Sometimes you just need to cover your bases, so we designed this inexpensive power pack as a simple solution that hides a powerful, three-speed blower beneath the kitchen hood canopy of your choice.

SIZE: 27"



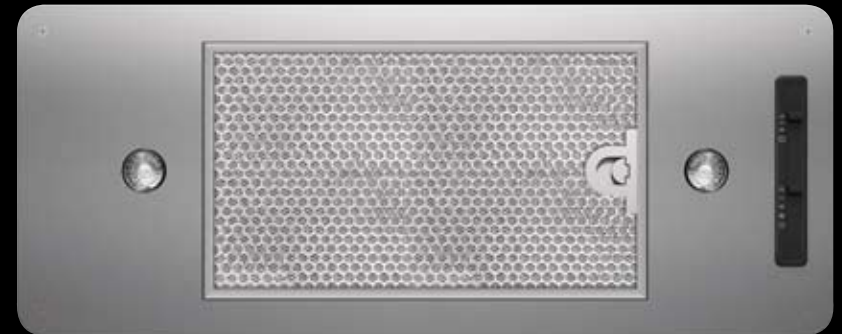
 | internal
  | 290 CFM
  | 6"
  | 3.2





- Optional, easy-to-install liner beautifies the hood and further protects your cabinetry
- Angled housing unit allows for greater custom hood compatibility
- Optional recirculating kit

TORNADO I power pack AK8100AS

Redesigned with great attention to detail, this 600 CFM power pack gives you three blower speeds, decorative stainless steel filters and dual-level halogen lighting in a small, barely visible package beneath your customized vent-hood canopy.

SIZE: 27"



 | internal
  | 600 CFM
  | 6"
  | 6

- Optional, easy-to-install liners are available in 30" and 36" sizes
- Angled housing unit allows for a compatible fit with any custom hood

TORNADO II power pack AK8200AS

If your ambitions call for professional-grade power with all the amenities, just choose the blower combination that's right for you and the adjustable-depth liner will ensure a flexible installation.

SIZE: 29"

*Baffle filters standard



 internal
  1000 CFM
  8"
  8

- Baffle filters enhance airflow with a professional look
- A stylish, wireless remote puts you in control of power and dual-level halogen lamps from a distance
- Optional, easy-to-install liners are available in 36" and 42" sizes


TORNADO III power pack AK8300ASX

Tornado III takes the typical power pack up a notch, with enough muscle for the most demanding chef. Three-speed electronic controls and a stylish remote command a 600 CFM single internal blower, a 1000 CFM external or a dual internal system.


SIZE: 38"

*Baffle filters standard






internal	290, 600 CFM
external	1000 CFM
in-line	1000 CFM



6", 8"
8"
8"

 3, 2, 6, 8

- Dual-level halogen lights illuminate the surface below
- Baffle filters enhance airflow and the professional look of your kitchen
- Optional, easy-to-install liners are available in 48", 54" and 60" sizes

FEW THINGS ARE MORE ESSENTIAL TODAY THAN SAVING ENERGY.

As proud as we are to offer our first ENERGY STAR-compliant range hood, our conservation series is just the beginning of our initiative to engineer more green elements into our designs, from the ground up.

When you choose an ENERGY STAR-qualified appliance, it means a lot more than energy savings:

- You're making a difference in the fight against global warming
- You're saving money—ENERGY STAR helped Americans save more than \$16 billion on their utility bills in 2007 alone
- And you're getting quiet, efficient ventilation

Shhhh... Do you hear that sound? It's your range hood saving energy. Quiet operation is one of the great by-products of an energy-efficient range hood.


Pass it on!


ES1 under-cabinet ES1-E30


Ideal for renovators looking for cost-effective reliability, ES1 cuts energy consumption by about 65% and is finished in stainless steel, black or white. ES1 is also a fantastic option if you're sensitive to noise levels in the kitchen.

SIZE: 30"



 internal

 280 CFM

 31/4" x 10"

 0.9

- Dual lamps and push-button controls
- Enjoy extra-quiet, 0.9-sone ventilation at normal speed



CYPRESS wall AK7836ASX, AK7842ASX, AK7848ASX

Because even kitchens designed for the great outdoors need a pro-style ventilation hood, this open-air cook's dream can handle the heat of outdoor gas grills with up to four 600-1100 CFM blower options in seamlessly contoured, 316-grade corrosion-resistant stainless steel.

SIZES: 36", 42", 48"




 internal, dual
 external
 in-line

 cfm | 600, 1100 CFM
 1000 CFM
 1000 CFM

 | 6", 10"

 | 6, 8


- Two-speed, marine-grade rocker controls withstand extreme heat and moisture
- High-performance stainless steel baffle filters are dishwasher safe and enhance airflow with a professional look
- Options include a vinyl hood cover to protect the finish, even in salt water environments, and 316-grade 12" duct cover

WILLOW power pack AK8800AS, AK8800AG


You may never cook inside again with this 1000 CFM pro-style outdoor power pack that won't give in to the elements or to the heat of outdoor gas grills. Select either 316-grade corrosion-resistant stainless steel or classic steel with powder-coat protection.


SIZES: 29"



 | internal

 cfm | 1000 CFM

 | 8"

 | 8




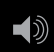
- Two-speed, marine-grade rocker controls withstand extreme heat and moisture
- High-performance stainless steel baffle filters are dishwasher safe and enhance airflow with a professional look
- Optional, easy-to-install liners are available in 36", 42", 48", 54" and 60" widths

BREEZE I under-cabinet AK1124, AK1100, AK1136

Once again, we've set the industry standard in value for sophisticated features and performance, with sleek, integrated controls that simplify cleanup.

SIZES: 24", 30", 36"



 internal
  250 CFM
  3 1/4" X 10"
  3.5





- Choose your 24" model in stainless steel or white
- Choose your 30" and 36" models in bisque, stainless steel, white or black
- 3-way ducting includes optional recirculating kit to accommodate highrises and non-ducted units

BREEZE II under-cabinet AK1200, AK1236

For superior value in a quiet, high-performance package, Breeze II has just about everything, including a timed delay-off for automatic power-downs.

SIZES: 30", 36"



 internal
  400 CFM
  3 1/4" X 10"
  4.5

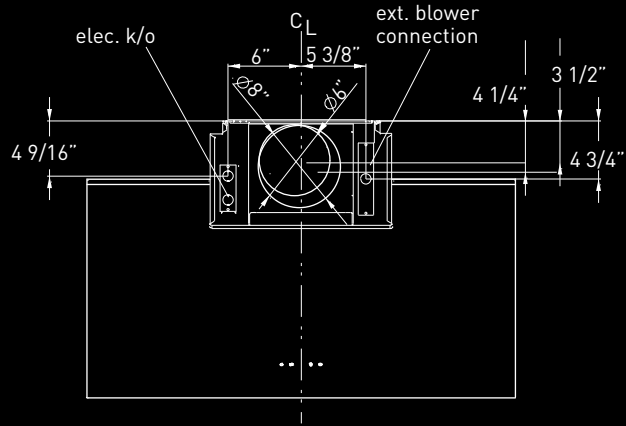
- Keep it simple with convenient dishwasher-safe aluminum filters
- 3-way ducting includes optional recirculation kit to accommodate highrises and non-ducted units without special construction
- Choose from bisque, stainless steel, black or white finishes

in detail

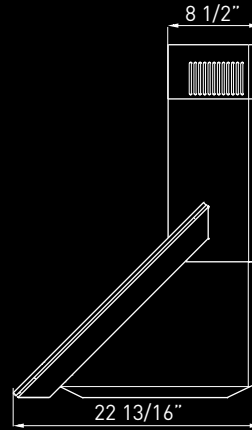
ARC COLLECTION

PLANE wall

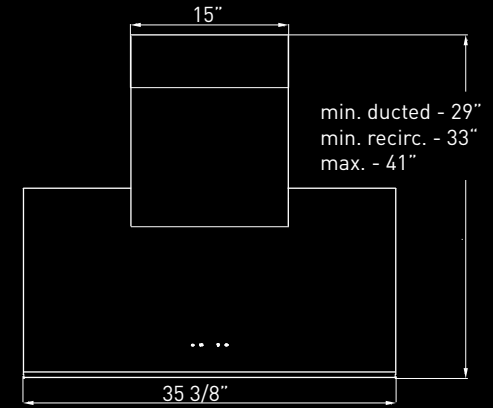
APN-M90ABX, APN-M90AWX



Top



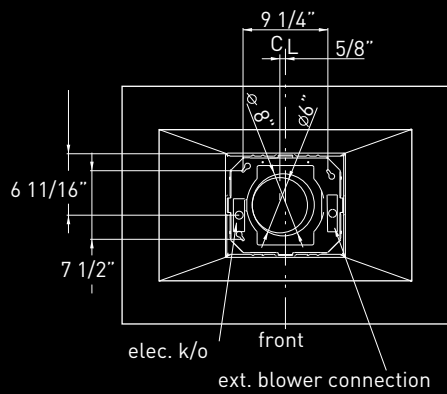
Side



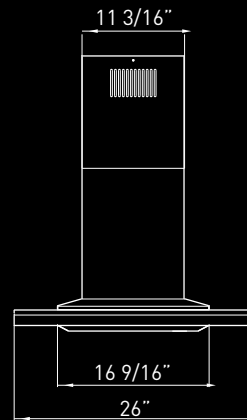
Front

LAYERS island

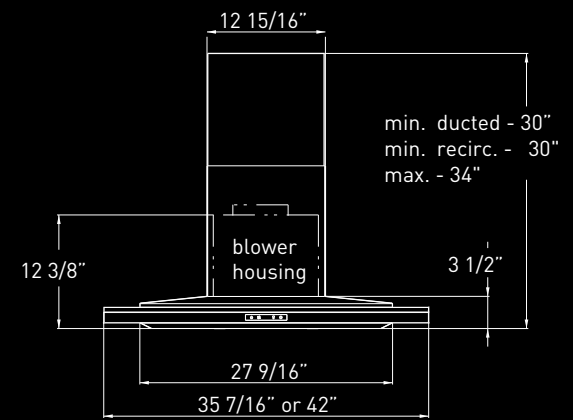
ALL-M90ABX, ALL-M90AWX, ALL-E42ABX, ALL-E42AWX



Top
(blower housing and ceiling bracket)



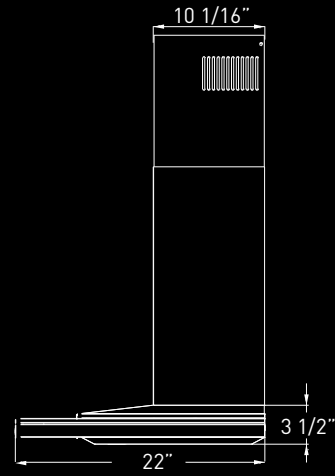
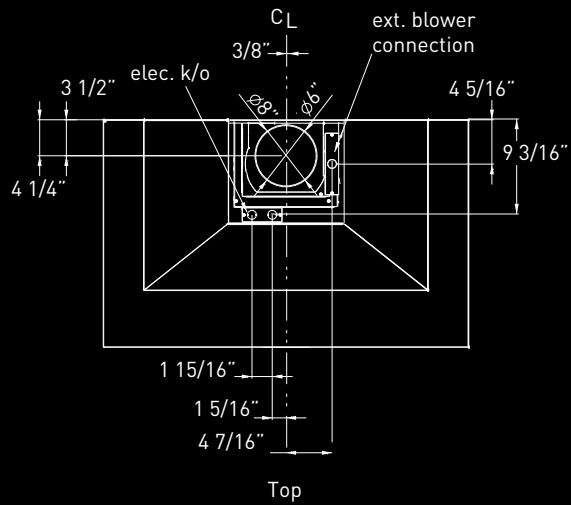
Side



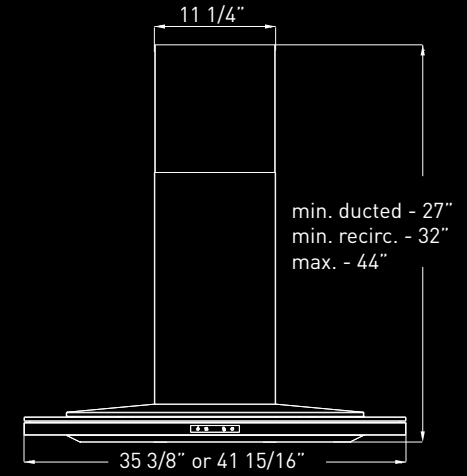
Front

LAYERS wall

ALA-M90ABX, ALA-M90AWX, ALA-E42ABX, ALA-E42AWX



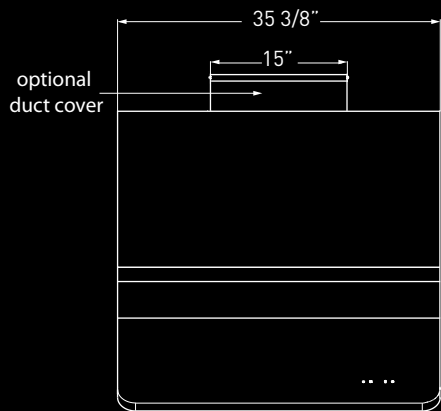
Side



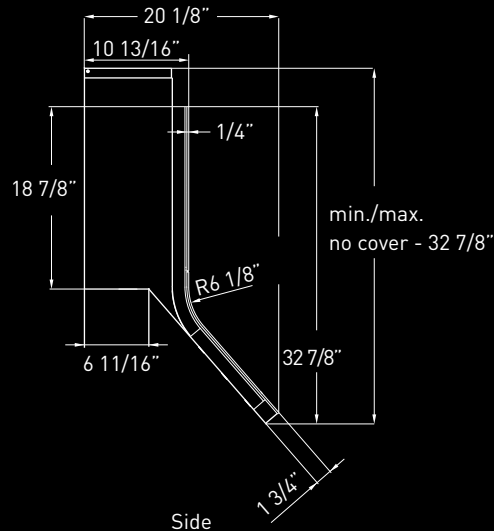
Front

HORIZON wall

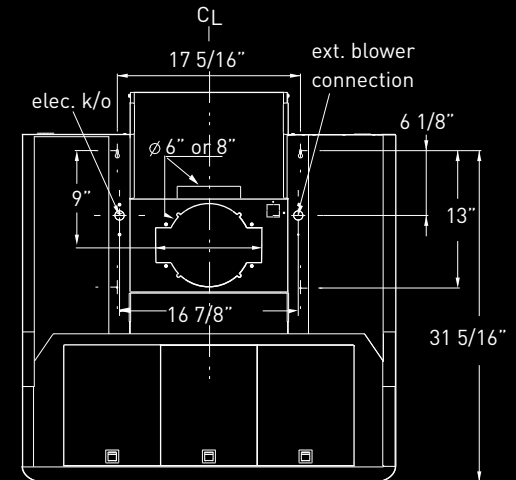
AHZ-M90ABX, AHZ-M90ARX, AHZ-M90AWX



Front

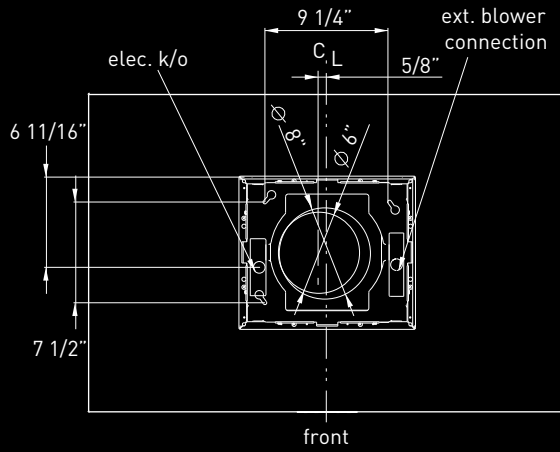


Side

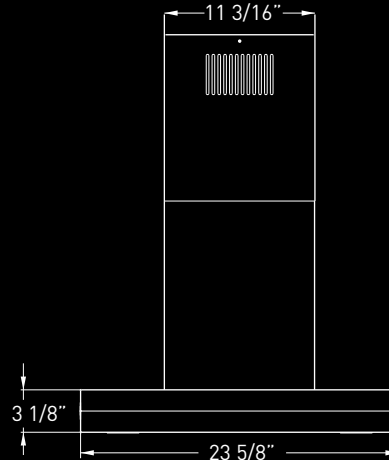


Back

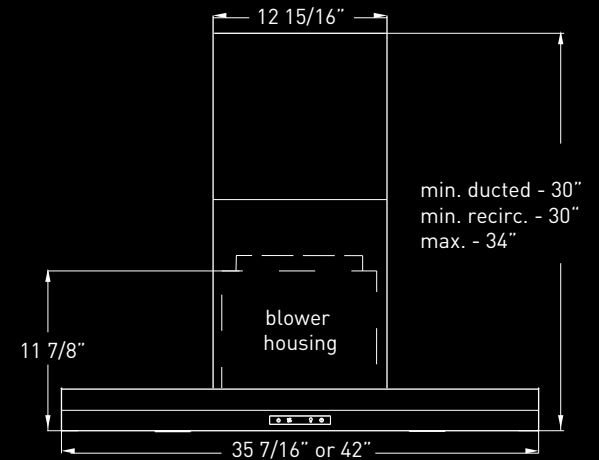
DUO island
ADL-M90ASX, ADL-E42ASX



Top
(blower housing and ceiling bracket)

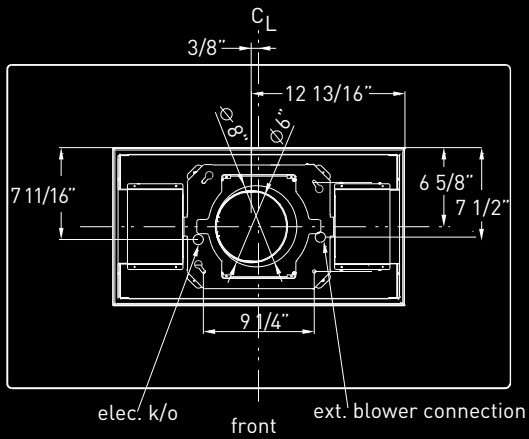


Side

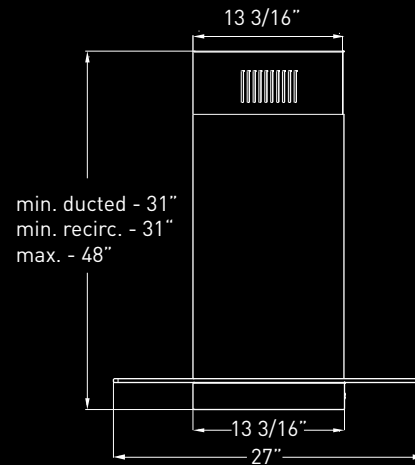


Front

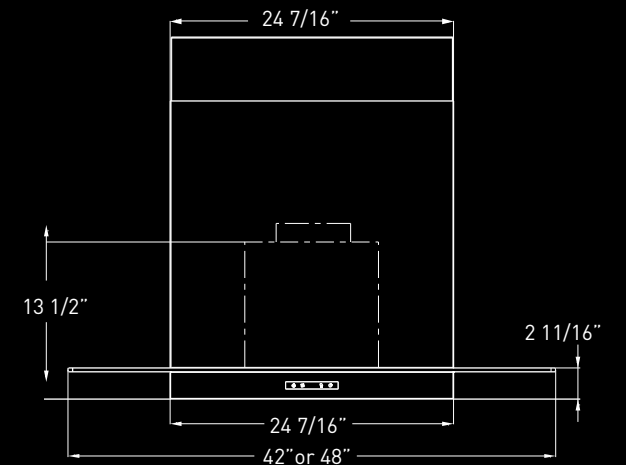
SURFACE island
ASL-E42ASX, ASL-E48ASX



Top
(blower housing and ceiling bracket)

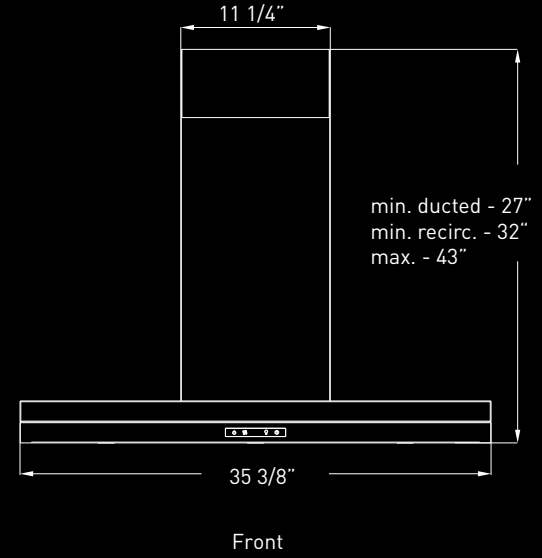
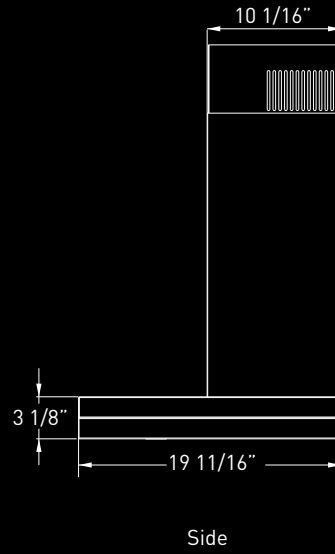
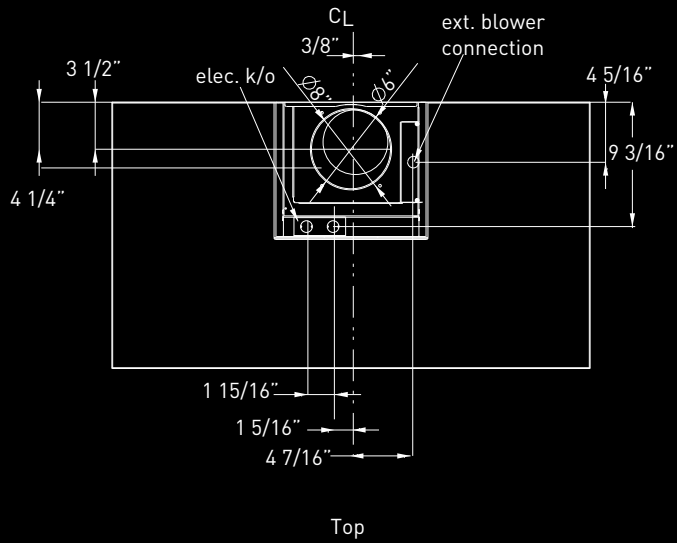


Side

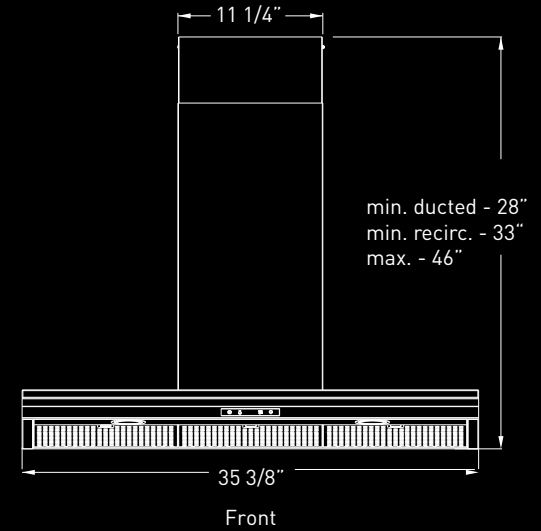
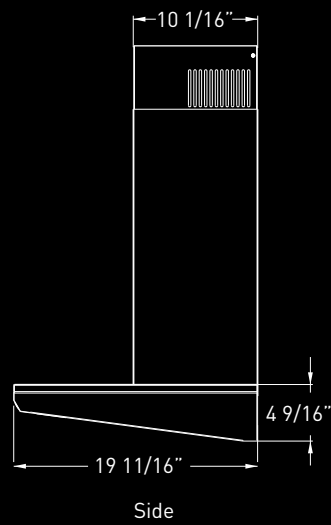
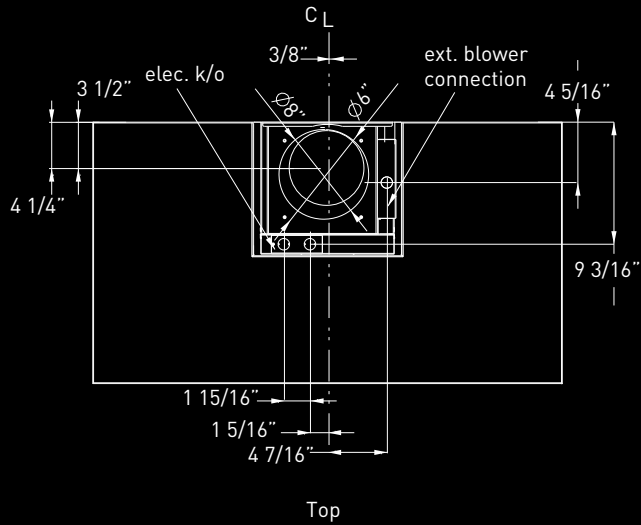


Front

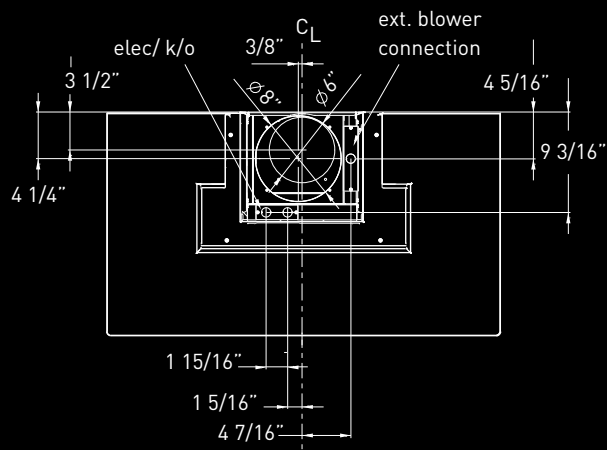
DUO wall
ADU-M9OASX



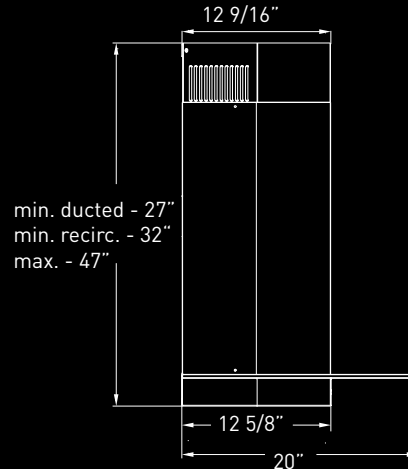
EDGE wall
AED-M9OASX



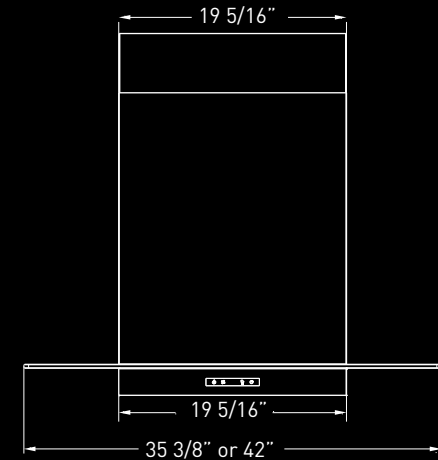
SURFACE wall
ASU-M9OASX, ASU-E42ASX



Top

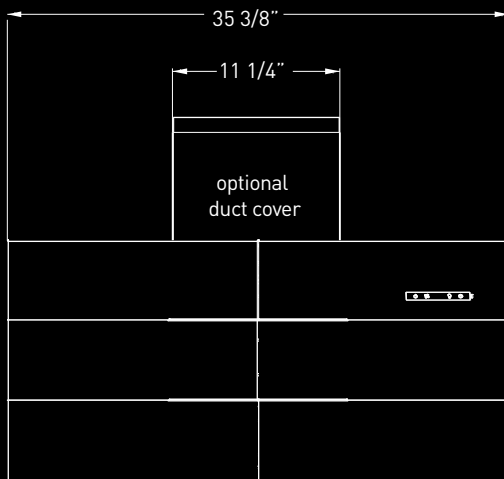


Side

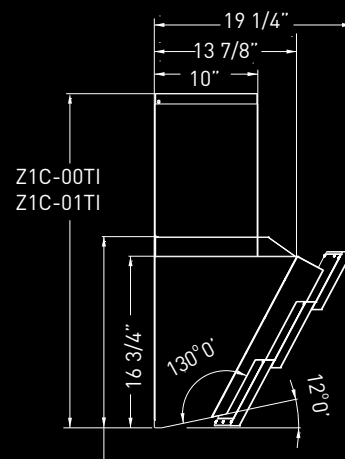


Front

TILT wall
ATI-M9OABX, ATI-M9OASX

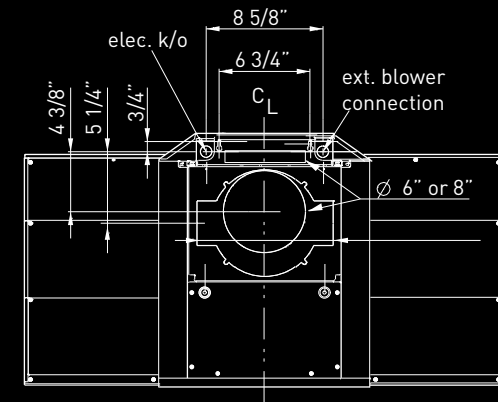


Front



Side

min./max. no cover - 18 3/4"

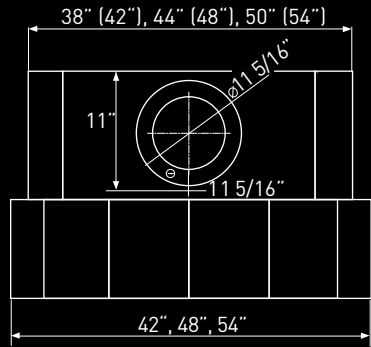


Back

CHENG

PADOVA wall

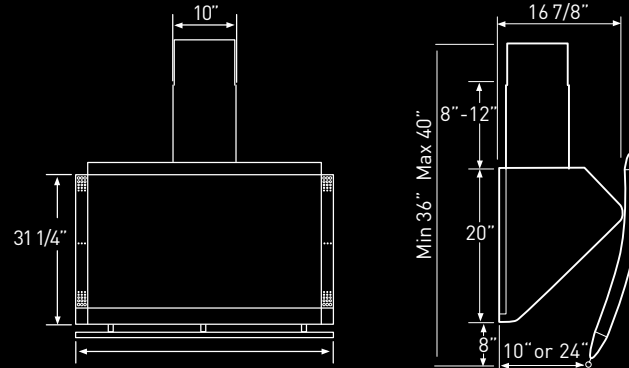
CPA-E42ASX, CPA-E48ASX, CPA-E54ASX



Front

SHADE wall

CSH-E36SX, CSH-E42SX, CSH-E48SX

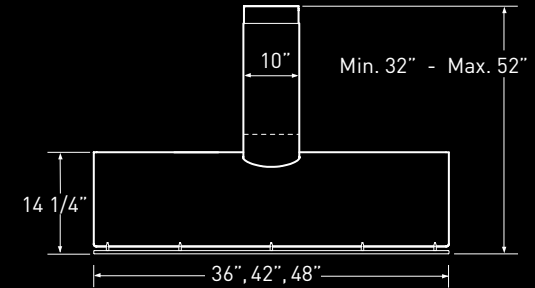


Front

Side

OKEANITO wall

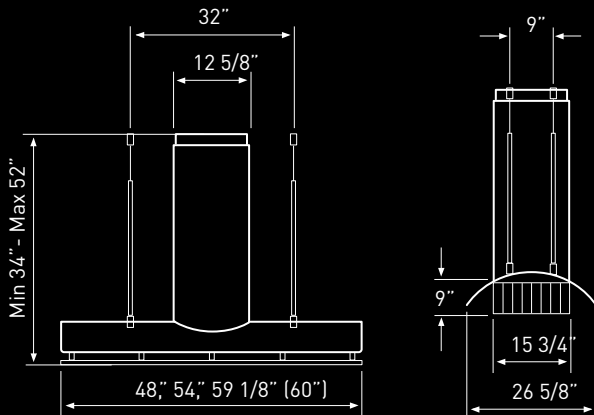
COK-E36SX, COK-E42SX, COK-E48SX



Front

TRAPEZE island

CTP-E48SX, CTP-E54SX, CTP-E60SX

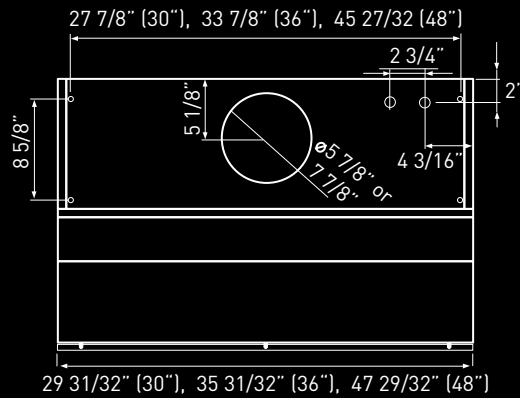


Front

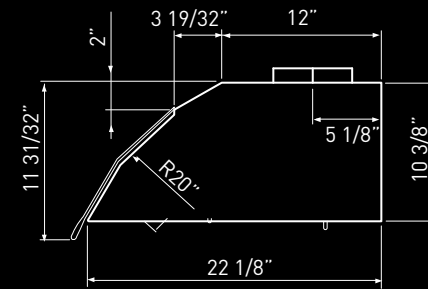
Side

CACHE under-cabinet

CCA-E30ASX, CCA-E36ASX, CCA-E48ASX



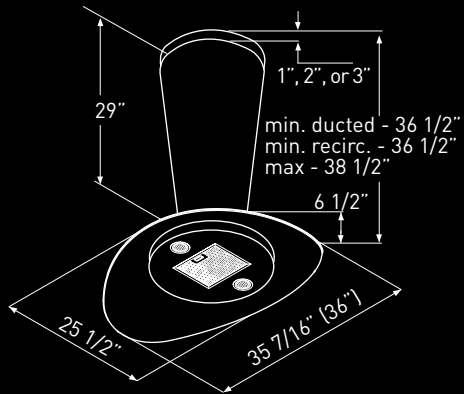
Front



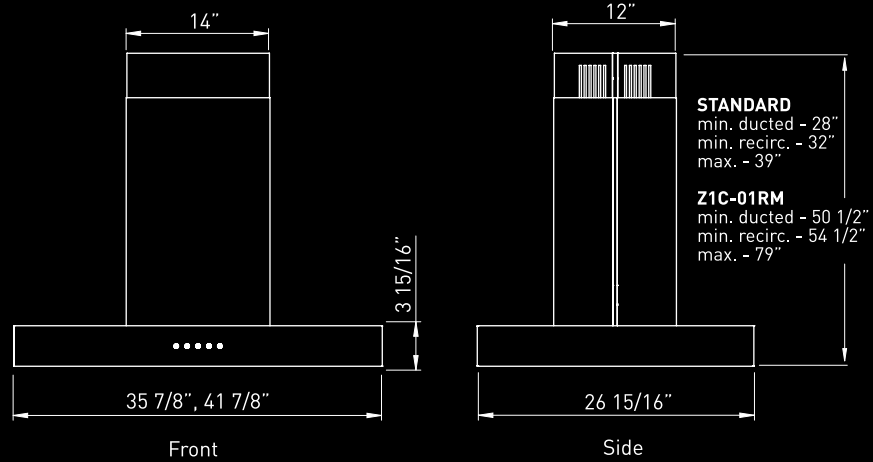
Side

ESSENTIALS

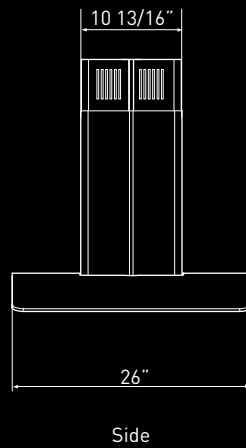
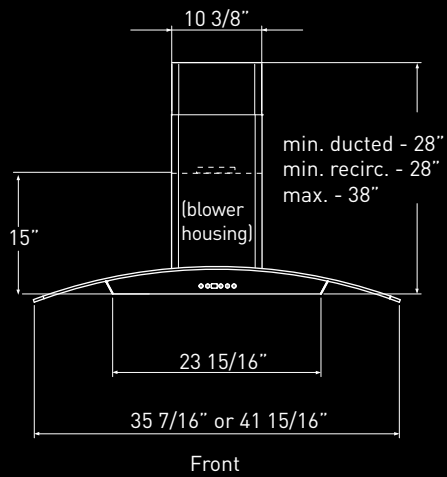
TORINO island
ZTR-M90S



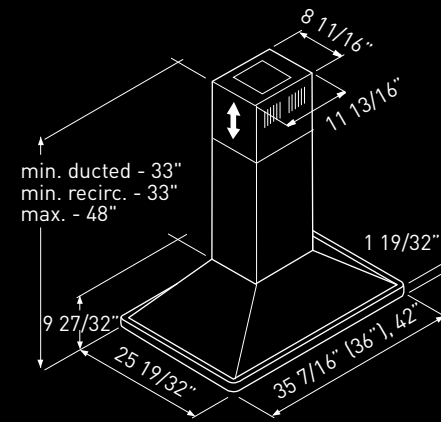
ROMA island
ZRM-E36BS, ZRM-E42BS



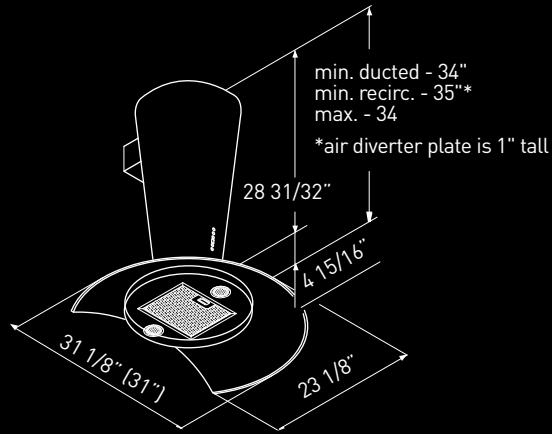
MILANO (G) island & MILANO (S) island
ZML-M90AG, ZML-E42AG ZML-M90AS, ZML-E42AS



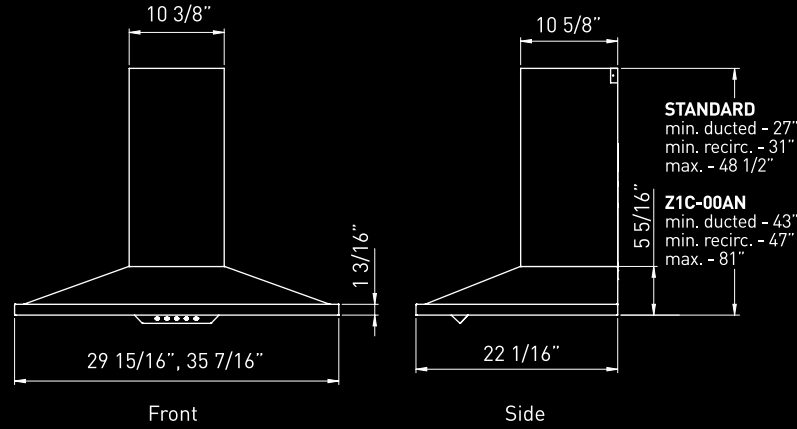
NAPOLI island
ZNA-M90S, ZNA-E42S



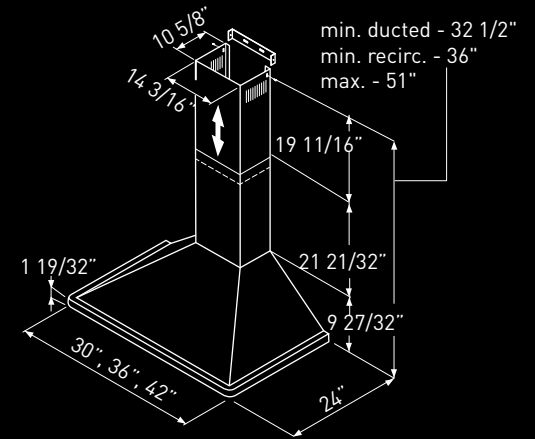
TORINO wall
ZTO-M79S



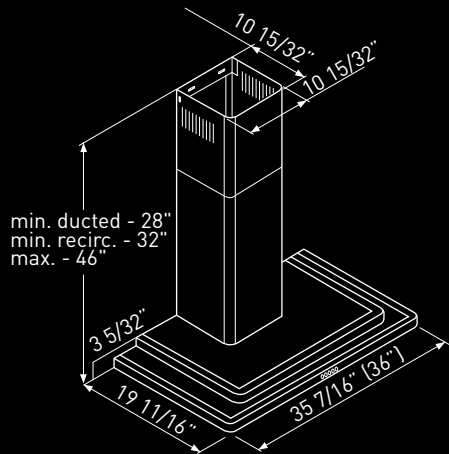
ANZIO wall
ZAN-E30AS, ZAN-M90AS



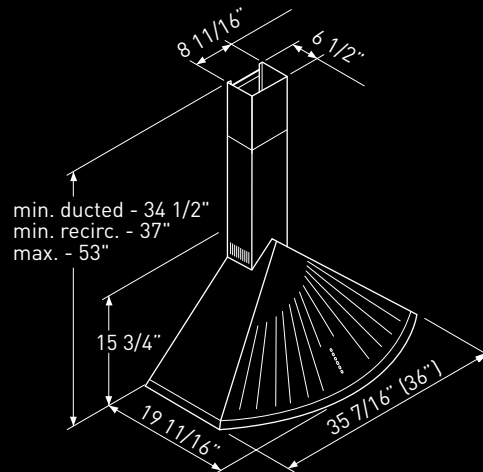
VENEZIA wall
ZVE-E30AS, ZVE-E36AS, ZVE-E42AS



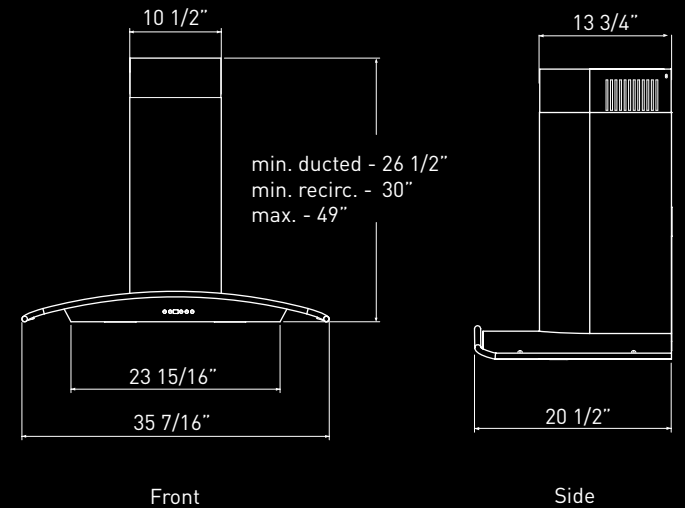
FIRENZE wall
ZFI-M90S



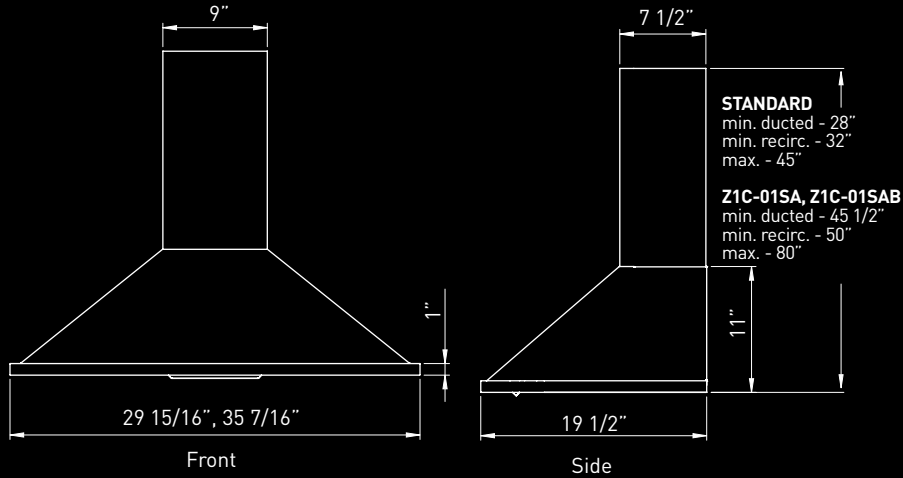
PALERMO wall
ZPA-M90S



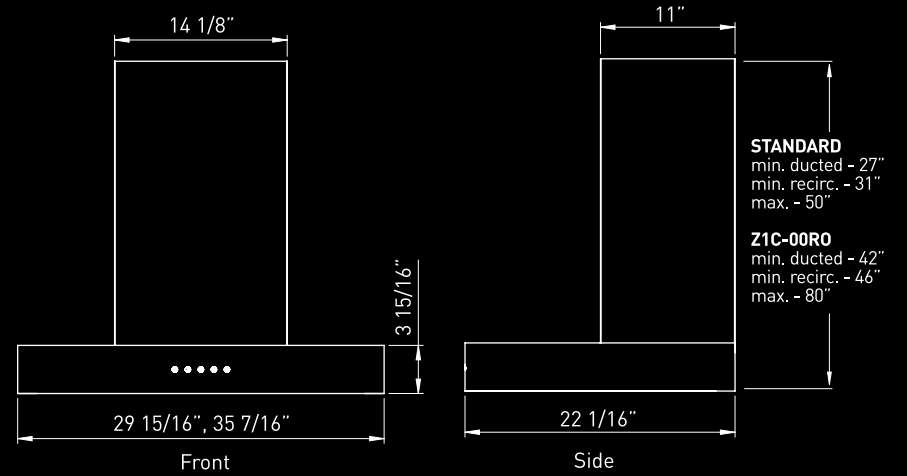
MILANO (G) wall & MILANO (S) wall
ZMI-M90AG ZMI-M90AS



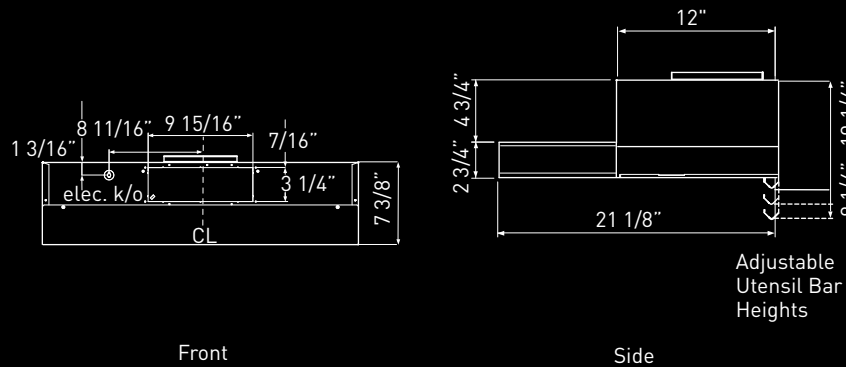
SAVONA wall
ZSA-E3OBS, ZSA-M9OBS



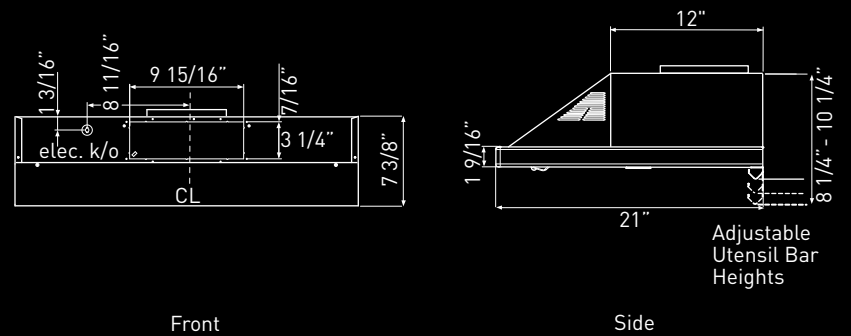
ROMA wall
ZRO-E3OBS, ZRO-M9OBS



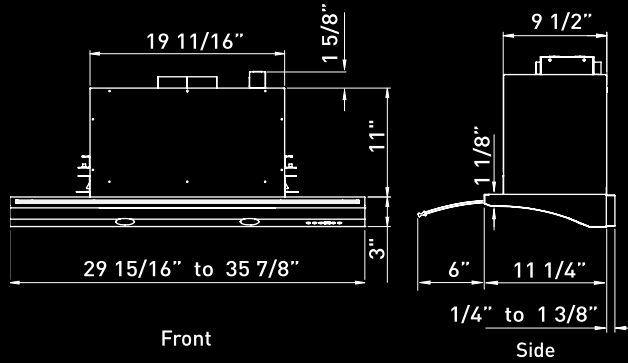
TAMBURO under-cabinet
ZTA-E3OAS, ZTA-E36AS



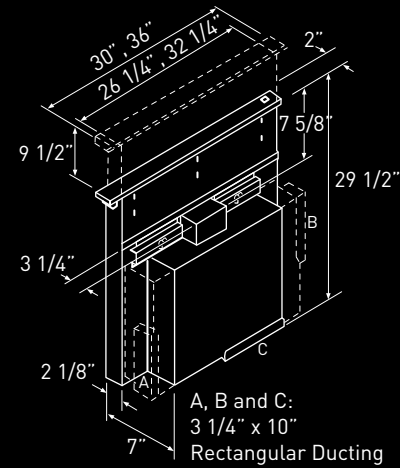
PYRAMID under-cabinet
ZPY-E3OA(B, W, S), ZPY-E36A(B, W, S)



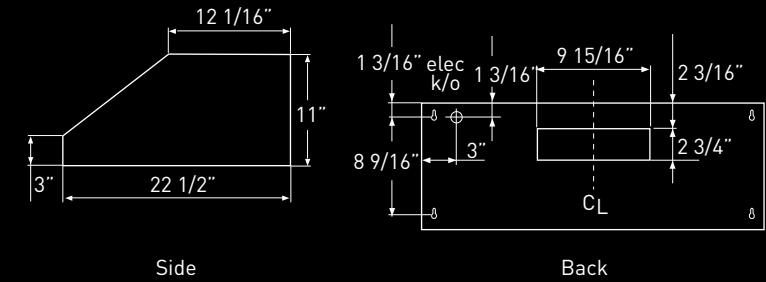
GENOVA under cabinet
ZGE-E30AS, ZGE-E36AS



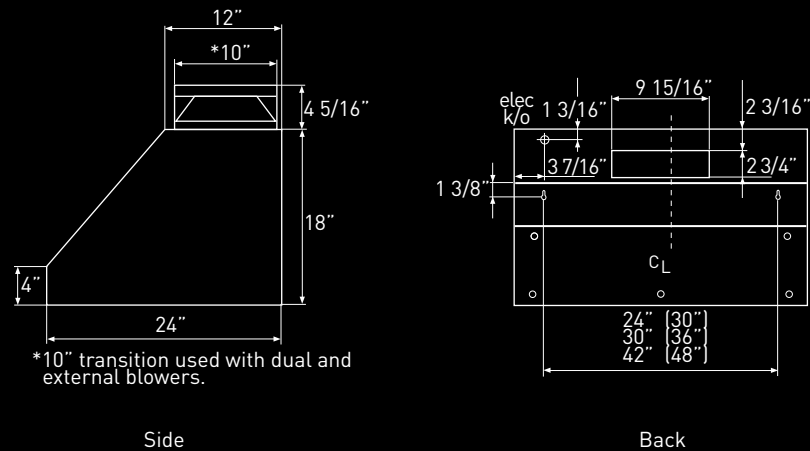
SORRENTO downdraft
DD1-E30AS, DD1-E36AS



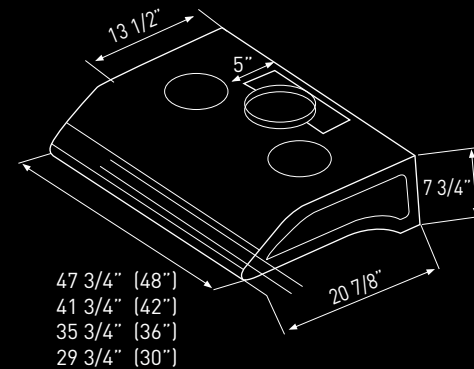
TEMPEST I under-cabinet
AK7000AS, AK7036AS, AK7042AS



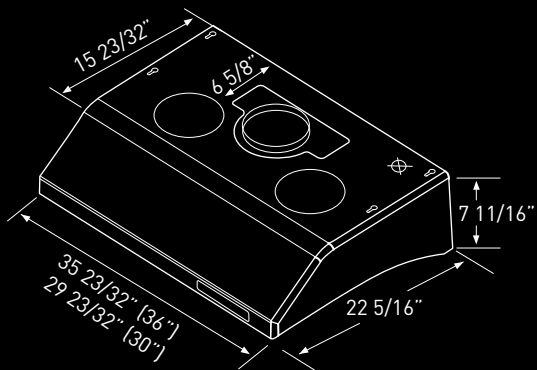
TEMPEST II wall
AK7500ASX, AK7536ASX, AK7548ASX



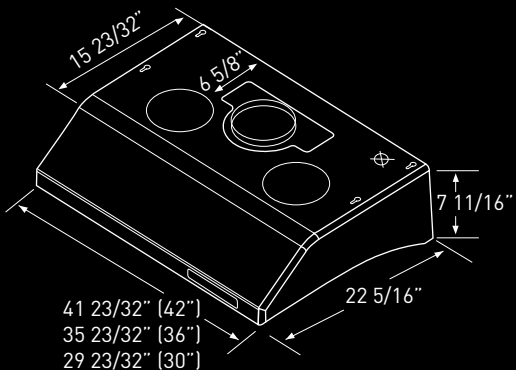
TYPHOON under-cabinet
AK2100A, AK2136A, AK2142A, AK2148A



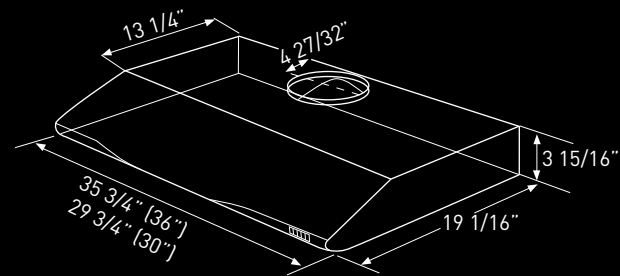
HURRICANE under-cabinet
AK2500, AK2536



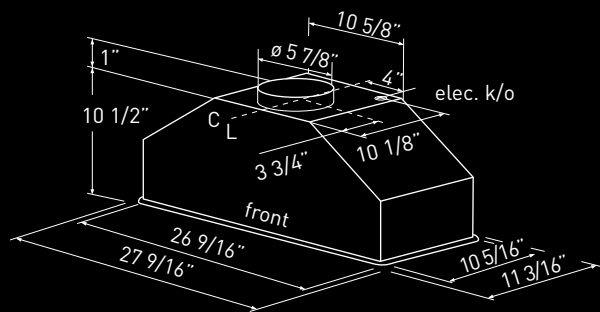
CYCLONE under-cabinet
AK6500, AK6536, AK6542



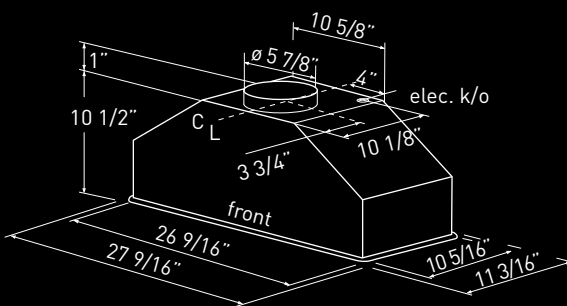
WHIRLWIND under-cabinet
AK9800, AK9836



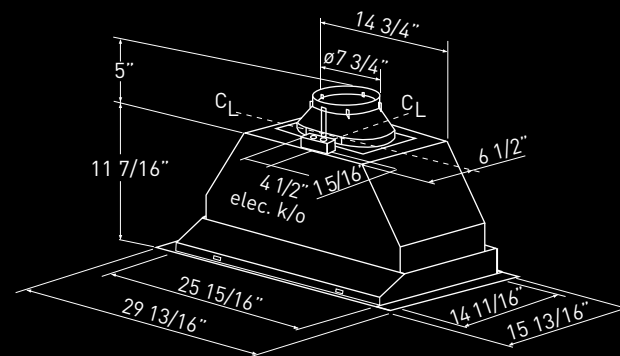
TWISTER power pack
AK8000AS



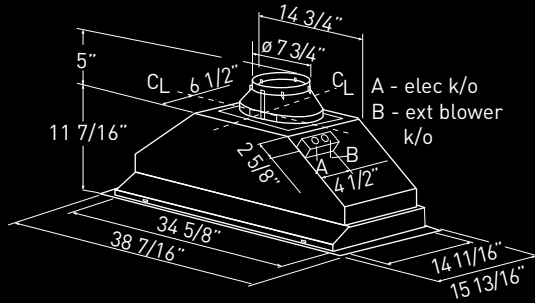
TORNADO I power pack
AK8100AS



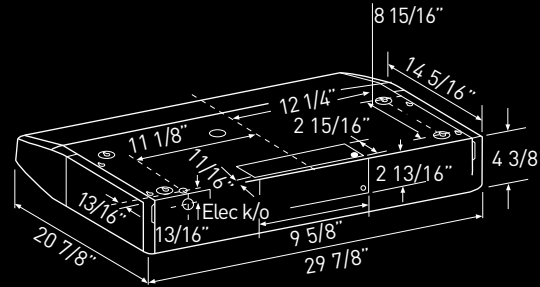
TORNADO II power pack
AK8200AS



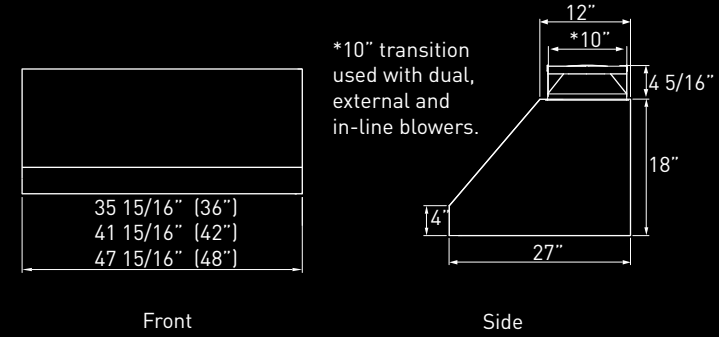
TORNADO III power pack
AK8300ASX



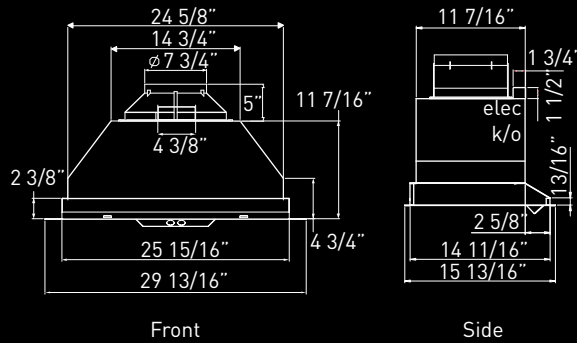
ESI under-cabinet
ESI-E30



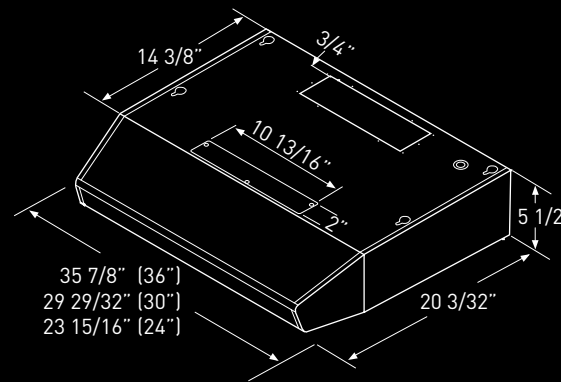
CYPRESS wall
AK7836ASX, AK7842ASX, AK7848ASX



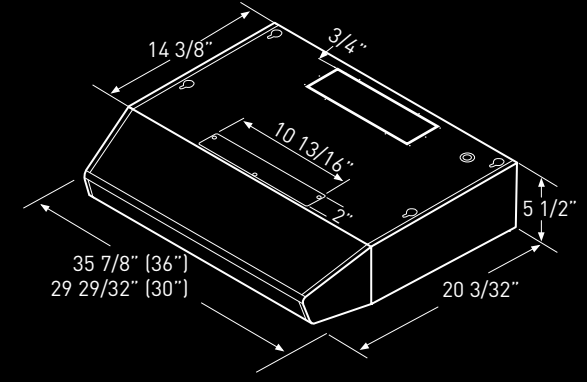
WILLOW power pack
AK8800AS, AK8800AG



BREEZE I under-cabinet
AK1124, AK1100, AK1136



BREEZE II under-cabinet
AK1200, AK1236



face to face

To learn more about making a statement in your home with a Zephyr hood, visit us online at www.zephyronline.com, where you can quickly locate a dealer near you on our “Where to Buy” page.

In addition, we would love to see you at our one-of-a-kind showroom. Located in the heart of San Francisco’s vibrant Design District, our display area is North America’s largest of its type, with over 6,000 square feet of new ventilation discoveries.

THE ZEPHYR SHOWROOM

2277 Alameda Street @ Potrero

San Francisco, CA 94103

