

# ZEPHYR

## PRODUCT BULLETIN

CORE

TORNADO GLO

INSERT



November 2, 2021

Revision: 2021-05

From: Jeremy Snider

Subject: **Zephyr Tornado Glo Insert**

We are excited to introduce the Tornado Glo insert, part of our Core Collection lineup of range hoods. Tornado Glo features a Perimeter Aspiration System (PAS) with our new Glo LED panel that illuminates the cooking surface in warm white light. PAS is an air movement technique that increases air velocity around the perimeter of the range hood to improve capture and ensure optimal performance.

Tornado Glo is available in a 28" width and can be installed in our optional adjustable-depth stainless steel liners. Key features include a 600 CFM internal blower with 6-speed electronic controls, Airflow Control Technology (ACT), and an optional recirculating kit.

# ZEPHYR

## PRODUCT BULLETIN

---

CORE

TORNADO GLO

INSERT

### MODEL DETAILS

- Zephyr Core Collection
- Tornado Glo: AK8500AS
  - Features
    - 27-3/16" width x 11-3/16" depth
    - Stainless steel
    - 600 CFM blower
      - ACT 390, and 290 CFM built-in
    - 6" round vertical & horizontal ducting
    - 6-speed electronic controls
    - Dual level Glo LED lighting
    - Mesh filters
    - Mounting height range: 20" – 36"
    - Optional recirculating kit
    - Optional adjustable-depth liners
    - Warranty: 3 years parts, 1 year labor

### PRODUCT AVAILABILITY

- Available now

### PRODUCT LITERATURE AND INTERNET

- Manuals and spec sheets available on our website

### PRICE SHEETS

- Pricing provided in our October 2021 price sheets

### ATTACHMENT TO THIS BULLETIN

- Spec sheets

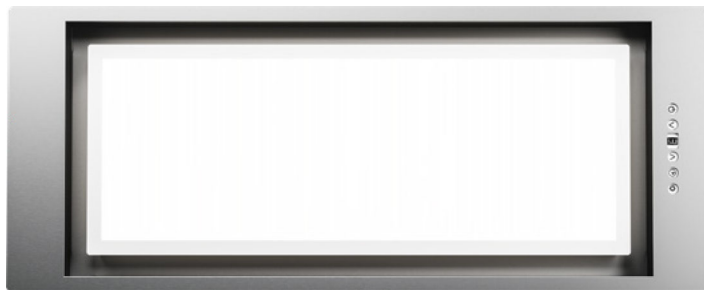
Thank you!

**Jeremy Snider**

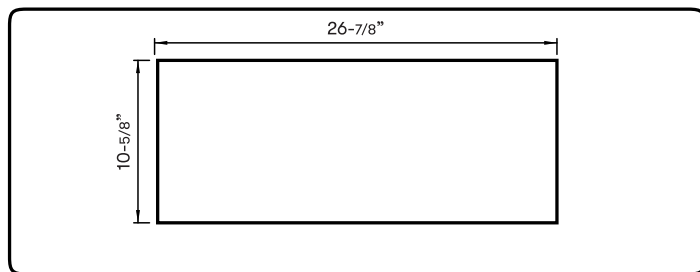
Vice President of Product

ACT™

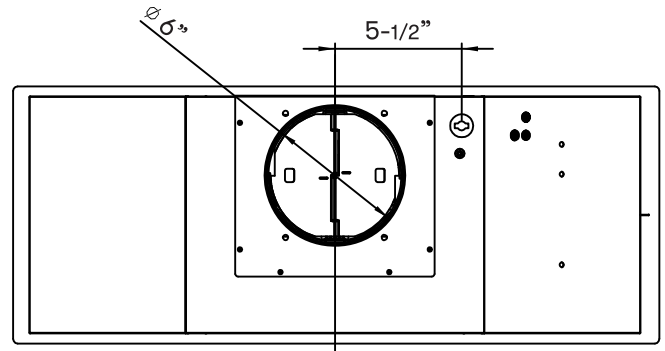
	INTERNAL BLOWER STANDARD	INTERNAL BLOWER with ACT™ AIRFLOW CONTROL TECHNOLOGY™*	
Min. - Max. CFM	200 - 600	200 - 390	200 - 290
Min. - Max. Sones	1.4 - 6	*AIRFLOW CONTROL TECHNOLOGY™ (ACT™) is an exclusive feature built into specific Zephyr hoods which can limit the maximum blower CFM to meet local code requirements.	



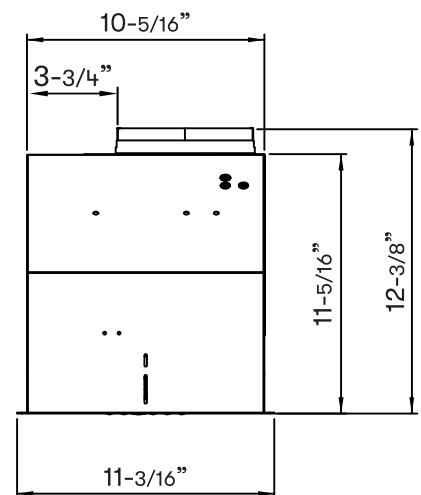
Shown with 30" adjustable depth liner, AK0800AS



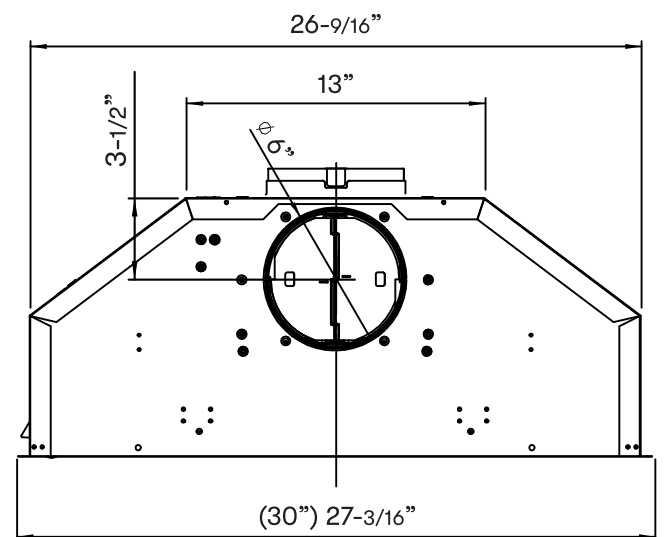
Cabinet Bottom Cut-Out Size (W x D): 26-7/8" x 10-5/8"



TOP



SIDE



BACK

**MODEL**

Stainless Steel	AK8500AS
Size	28" (27-3/16")

**BLOWER PERFORMANCE**

Blower CFM (Min. - Max.)	200 - 600
Sones (Min. - Max.)	1.4 - 6
ACT 390 CFM (Min. - Max.)	200 - 390
ACT 290 CFM (Min. - Max.)	200 - 290

**FEATURES**

ACT™ Technology	390, 290
Controls	Electronic Touch
Speed Levels	6*
Auto Delay-Off	Yes
CleanAir Function	Yes
Lighting	Glo LED PAS Panel
Dual-Level Lighting	Yes
Filters	Aluminum Mesh x1
Perimeter Aspiration System	Yes
Recirculating Option	Yes
ADA Compliant	Yes, with remote option

**DUCT SPECIFICATIONS**

Vertical Internal Blower	6" Round
Horizontal Internal Blower	6" Round
AC POWER	120V, 60Hz at Max. 3A

**OPTIONAL ACCESSORIES**

30" Liner (17-1/2" - 20-1/2" Depth)	AK0800AS
36" Liner (17-1/2" - 20-1/2" Depth)	AK0836AS
Recirculating Kit	ZRC-0085
Remote Control	14000005
Make-Up Air Kit	MUA006A

**MOUNTING HEIGHT RANGE\*\***

Electric Cooking Surface	20" - 36"
Gas Cooking Surface	24" - 36"

**WARRANTY**

3 years parts, 1 year labor

\*When ACT™ is enabled the maximum speed levels will change. ACT 390 = 3 speeds and ACT 290 = 2 speeds.

\*\*Mounting height refers to distance between top of a 36" tall cooking surface and bottom of hood.

**DID YOU KNOW?**

The Perimeter Aspiration System moves airflow away from the central area of the hood and evenly distributes it through narrow openings around the perimeter of the hood. This ventilation method increases air velocity and improves the capture of cooking contaminants.

ACT™

**Airflow Control Technology™ (ACT™)**

is an exclusive feature built into specific Zephyr hoods which can limit the maximum blower CFM to meet local code requirements.

Specifications subject to change, check [zephyronline.com](http://zephyronline.com) for up-to-date information.  
Zephyr Ventilation | 2277 Harbor Bay Parkway, Alameda, CA 94502 | 888.880.VENT

MAY21.0101

